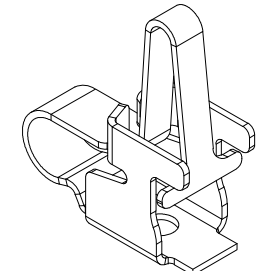
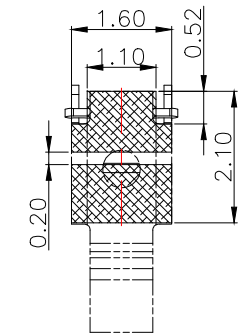
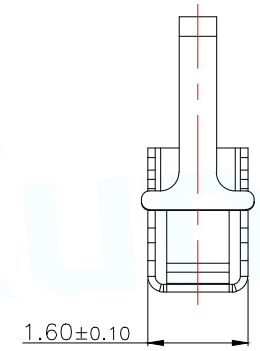
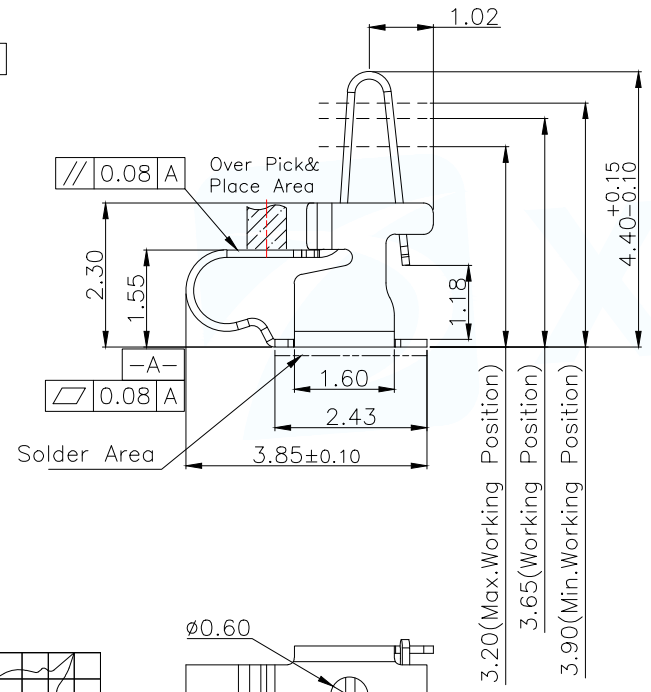
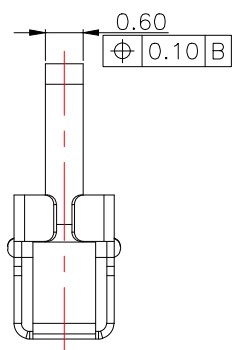


(For Reference Only)
Stated At Compression



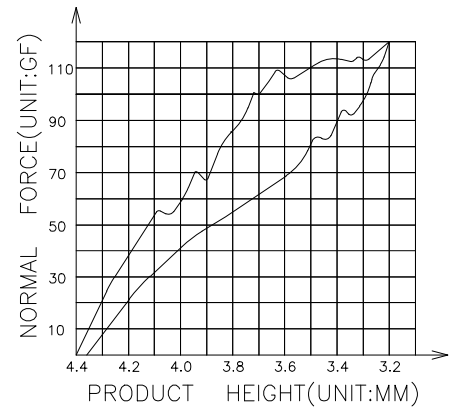
3D View



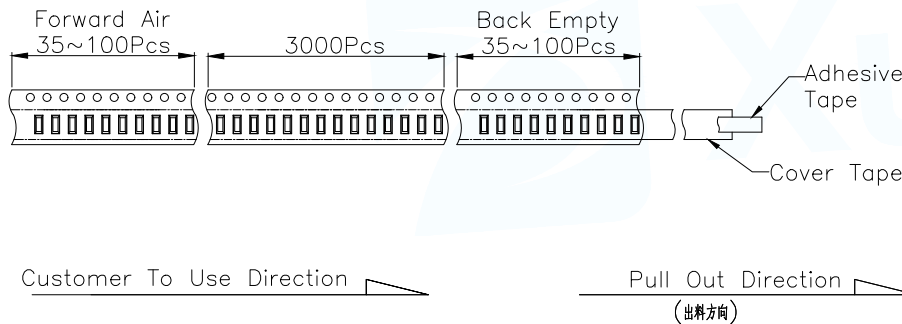
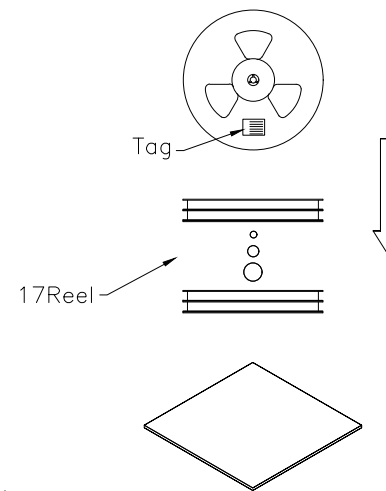
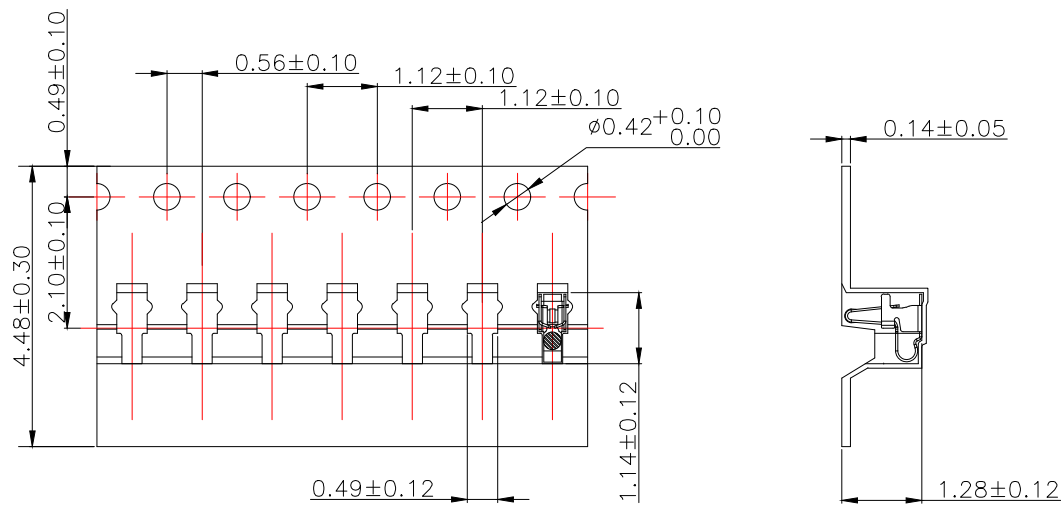
METAL MASK T=0.08
TOLERANCE: ±0.05MM
(FOR REFERENCE ONLY)

NOTES:

- MATERIAL
1-1: SUS-304 THICKNE=0.12MM
- SPECIFICATIONS
2-1: RATED CURRENT: 1.0A
2-2: VOLTAGE RATING: 1.5V
2-3: CONTACT RESISTANCE: 80mΩ/MAX
2-4: WELDING THRUST: ≥3KG
2-5: OPERATING TEMPERATURE: -40°C~+85°C
- DURABILITY: 1500 CYCLES
- SALT SPRAY TIME: 24H
- ELECTROPLATE: THE NICKEL-PLATED SUBSTRATE IS 50u" MIN
- REQUIREMENTS
6-1: TERMINAL TO EAT FULL TIN, NOT PEELING, WELDING OBVIOUS COLOR AND OTHER ADVERSE
6-2: ROHS, REACH, HF HALOGER ADVERSE OF DOMESTIC AND INTERNATIONAL ENVIRONMENTAL REQUIREMENTS

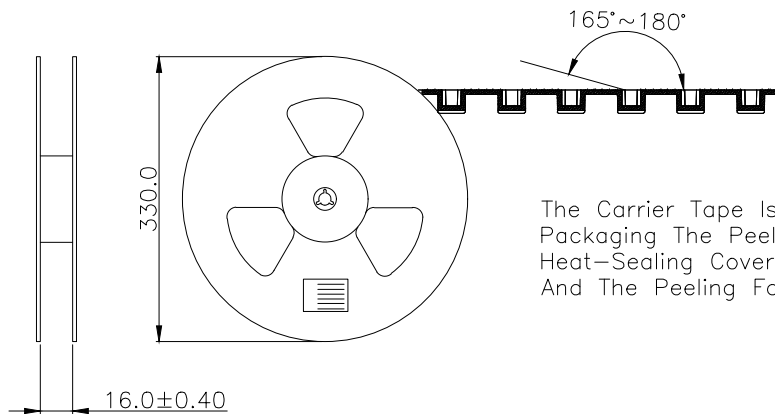
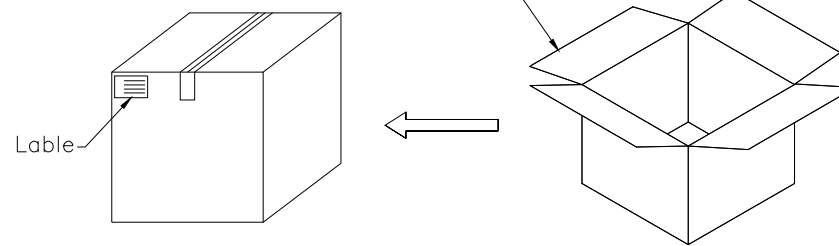


MANUFACTURE DWG		东莞市讯普电子科技有限公司 DongGuan XunPu Electronics Co., Ltd	
UNLESS OTHERWISE SPECIFIED TOLERANCES		TITLE: ANTENNA SHELL L3.85*W1.60*H4.40	
		PAR	ASP-D4302-B01
DECIMALS:	ANGLES:	DWN	Lucas
X.: ±0.30	X': ±2'	CHKD	Ethan
X.X: ±0.20	X.X': ±1'	APVD	Jacob
X.XX: ±0.15	X.XX': ±0.5'	SCALE: 1:1	UNIT: MM
CUSTOMER COPY		SIZE: A4	SHEET: 1F1
			REV: A



Carton Size
290*330*4 K3K

Carton Size
345*345*360 K=K



The Carrier Tape Is Heat-Sealed Packaging The Peeling Angle Of The Heat-Sealing Cover Tape Is $165^{\circ} \sim 180^{\circ}$ And The Peeling Force Is 30~120g.

MANUFACTURE DWG		东莞市讯普电子科技有限公司 DongGuan XunPu Electronics Co.,Ltd	
UNLESS OTHERWISE SPECIFIED TOLERANCES		TITLE:ANTENNA SHELL L3.85*W1.60*H4.40	
		PAR	ASP-D4302-B01
DECIMALS:	ANGLES:	DWN	Lucas
X.: ± 0.30	X':: $\pm 2'$	CHKD	Ethan
X.X: ± 0.20	X.X':: $\pm 1'$	APVD	Jacob
X.XX: ± 0.15	X.XX':: $\pm 0.5'$	SCALE:1:1	UNIT:MM
CUSTOMER COPY		SIZE:A4	SHEET:1F1
			REV:A

X-ON Electronics

Largest Supplier of Electrical and Electronic Components

Click to view similar products for XUNPU manufacturer:

Other Similar products are found below :

[TYC-302-08](#) [TS-1003-06526](#) [TS-1003-08026](#) [TS-1003-09526](#) [TS-1009S-05526](#) [TS-1003S-06526](#) [TS-1003S-07526](#) [TS-1003T-26](#) [TS-1002-BR12516](#) [TS-1009S-AR03816](#) [TS-1003S-BR07016](#) [WAFER-MX1.25-10PLB](#) [FPC-0.5AL-12PB](#) [TYPEC-249D-BRP6](#) [WAFER-MX1.25-4PWZ](#) [TS-1002S-BR15526](#) [TS-1056SG-AR04326](#) [FFC-1.0-10-100-A-4-8](#) [SMA-JWE-324-H13X15-LW](#) [WAFER-XH2.54-6PLB](#) [SD-101](#) [SD-107](#) [TS-1002N-10026](#) [TS-1003S-06026](#) [TS-1010GD-BR09026](#) [TS-1010GS-BR05026](#) [TS-1080S-AC01516](#) [TS-1002N-BR05016](#) [TS-1002N-BR08016](#) [SIM-105-ARP6](#) [FH2.54-09-07PZD](#) [WAFER-PH2.0-7PWZ](#) [WAFER-WTB4.2-14PWZ](#) [SMA-KWE-323C-H13X23-LW](#) [TS-1002-BR15026](#) [WAFER-PH2.0-10PZZ](#) [TYPEC-254-BRP6H65](#) [TYC-340-16CB16](#) [TS-1003S-11026](#) [TS-1009-06026](#) [USB-234-ACY](#) [TS-1010DGS-BR06026](#) [TS-1002-BR05016](#) [TS-1002NT-BR07316](#) [TF-123-ARP9H15](#) [WAFER-MX1.25-8PWB](#) [WAFER-PH2.0-5PLB](#) [TF-121-ARP8H30](#) [TS-1003-09026](#) [TS-1009B-04326](#)