

3D View

NOTES:

1:MATERIAL

1-1: SUS-301 THICKNE=0.15MM

2:SPECIFICATIONS

2-1: CONTACT RESISTANCE: 80mΩ/MAX

2-2: RATED CURRENT: 1.0A

2-3: VOLTAGE RATING: 1.5V

2-4: WELDING THRUST: ≥3KG

2-5: CLAMPING FORCE:60-120g

2-6: OPERATING TEMPERATURE: -40°C~+85°C

3:DURABILITY: 200 CYCLES

4:SALT SPRAY TIME: 24H

5:ELECTROPLATE: THE NICKEL-PLATED SUBSTRATE IS 50u" MIN

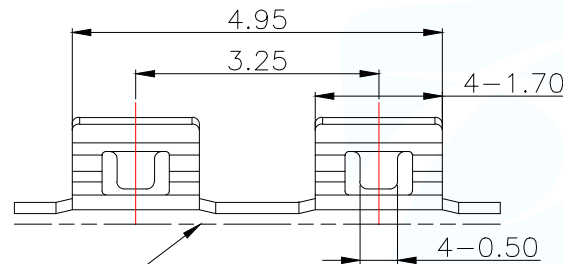
6:REQUIREMENTS

6-1:TERMINAL TO EAT FULL TIN,NOTPEELING,

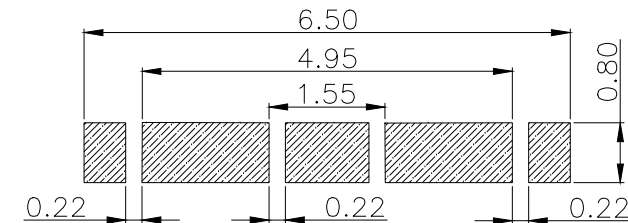
WELDING OBVIOUS COLOR AND OTHED ADVERSE

6-2:ROHS.REACH.HF HALOGER ADVERSE OF DOMESTIC

AND INTERNATIONAL ENVIRONMNTAL REQUIREMENTS

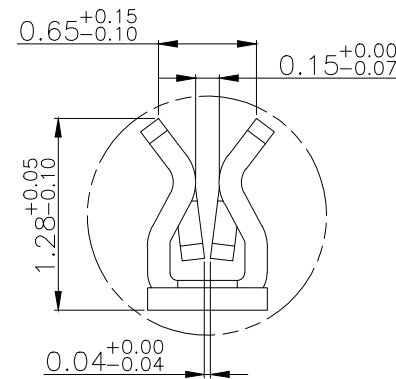
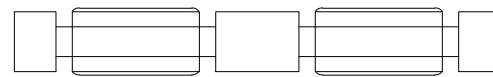


Solder Area



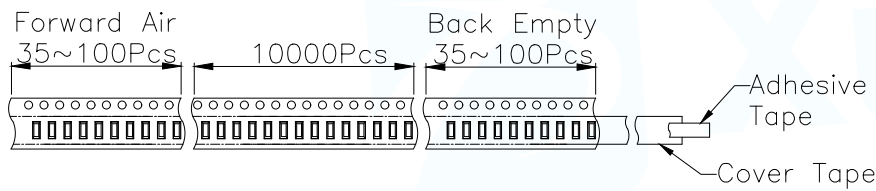
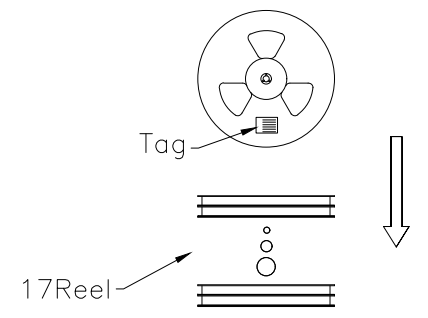
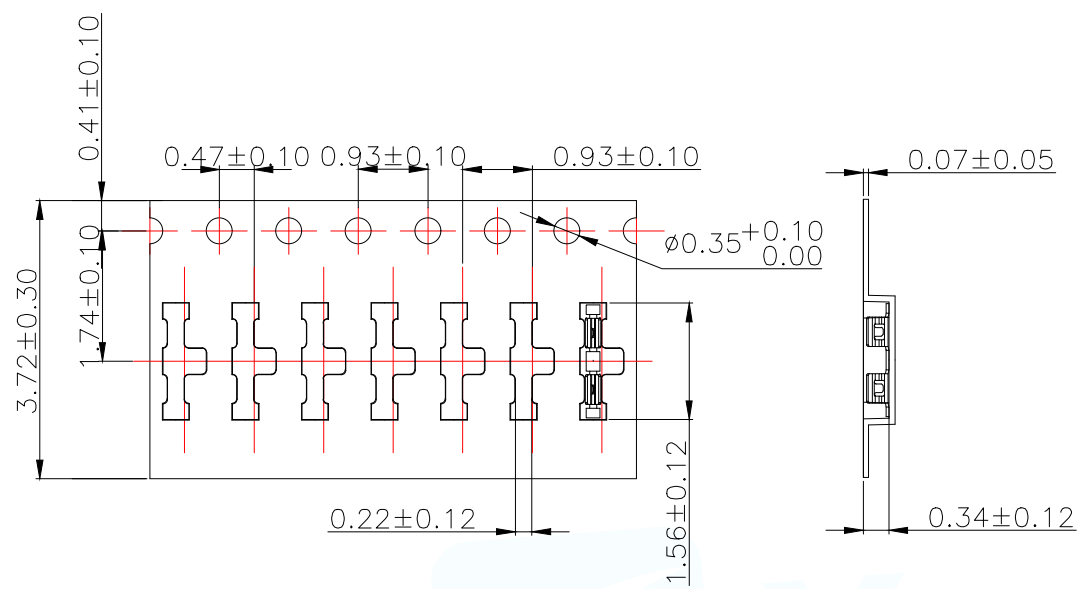
METAL MASK T=0.08

TOLERANCE:±0.05MM
(FOR REFERENCE ONLY)

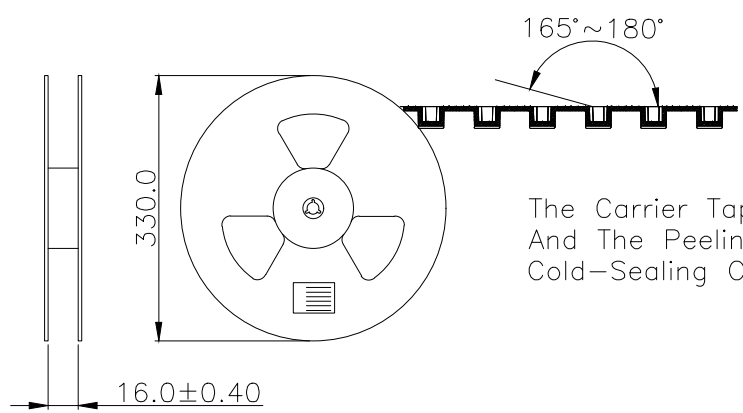


Detail I
Scale 2:1

MANUFACTURE DWG		东莞市讯普电子科技有限公司 DongGuan XunPu Electronics Co.,Ltd	
UNLESS OTHERWISE SPECIFIED TOLERANCES			TITLE: H1.28 SHIELDING CLIP
			PAR ASP-X1208-CB1
DECIMALS:	ANGLES:		DWN Lucas
X.:±0.30	X':±2'		CHKD Ethan
X.X:±0.20	X.X':±1'	APVD Jacob	SCALE1:1 UNIT:MM
X.XX:±0.15	X.XX':±0.5'	CUSTOMER COPY	SIZE:A4 SHEET:1F1 REV:A



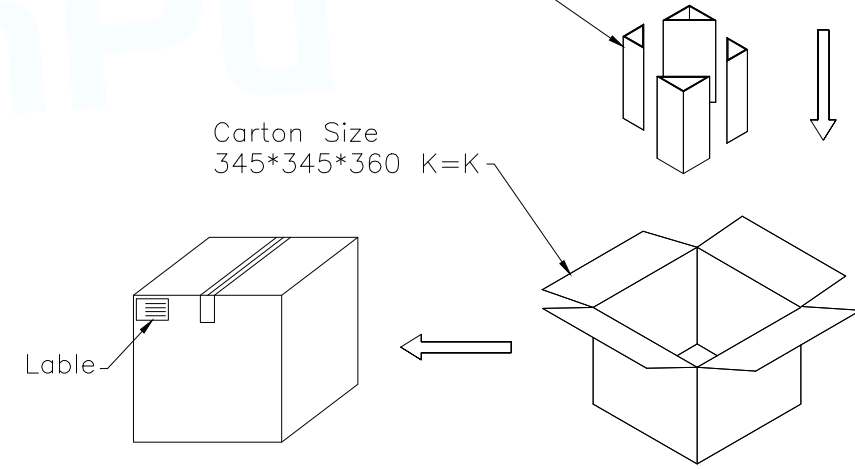
Customer To Use Direction Pull Out Direction (出料方向)



The Carrier Tape Is Cold-Sealed And The Peeling Angle Of The Cold-Sealing Cover Tape Is $165^\circ \sim 180^\circ$.

Carton Size 290*330*4 K3K

Carton Size 345*345*360 K=K



MANUFACTURE DWG		东莞市讯普电子科技有限公司 DongGuan XunPu Electronics Co.,Ltd	
UNLESS OTHERWISE SPECIFIED TOLERANCES		TITLE: H1.28 SHIELDING CLIP	
		PAR	ASP-X1208-CB1
DECIMALS:		DWN	Lucas
ANGLES:		CHKD	Ethan
X.:±0.30	X.':±2'	APVD	Jacob
X.X:±0.20	X.X':±1'	SCALE:1:1	UNIT:MM
X.XX:±0.15	X.XX':±0.5'	SIZE:A4	SHEET:1F1
CUSTOMER COPY			REV:A

X-ON Electronics

Largest Supplier of Electrical and Electronic Components

Click to view similar products for [EMI Gaskets, Sheets, Absorbers & Shielding](#) category:

Click to view products by [XUNPU](#) manufacturer:

Other Similar products are found below :

[8101010140](#) [1194-14"X36YD](#) [1182-14"X18YD](#) [1554907-1](#) [227431-1](#) [2320002000](#) [2320014700](#) [25-78FS-BD-24](#) [SG293037DS](#)
[ST005PCN50](#) [3070-500-STD](#) [55005107](#) [0C98055917](#) [1126X1"](#) [1170-3/4X18YDS](#) [1170-7.7x10](#) [1183-12"X18YD](#) [6-34T-BD-0.315](#)
[SG125187D-24](#) [SG125250R-24](#) [SG187250D-24](#) [SG187375R-24](#) [SG284050DS](#) [KIT TECH CLIP](#) [10-40450-28S](#) [55005106](#) [6-34UT-070-BD-](#)
[16](#) [3070-500-RUB](#) [HNY-LT15CU4241](#) [38M6040AA0606](#) [2101143-3](#) [54-CBSU-24.0](#) [SG295355D-48.00](#) [1170-2X18YDS](#) [SG080200R-48.00](#)
[SG180400D-12](#) [SMS-203-M-F](#) [SMS-203-M-C](#) [8-25FSC-BD-16](#) [23-76FSC-SN-24](#) [09D-210-BD](#) [SG252280C-48](#) [25-S-78FSV50-BD-24](#) [41-](#)
[113FSV-BD-12](#) [1183-2"x18yd](#) [20S-CBSFNSV-1.5X3.0X0.35](#) [7-21C-045-DL-BD-16](#) [45-CBSU-24](#) [SG060280R-48](#) [20S-CBSFNSV-](#)
[1.75X3.0X0.35](#)