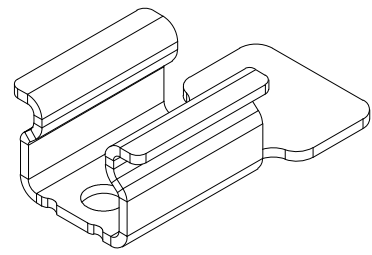


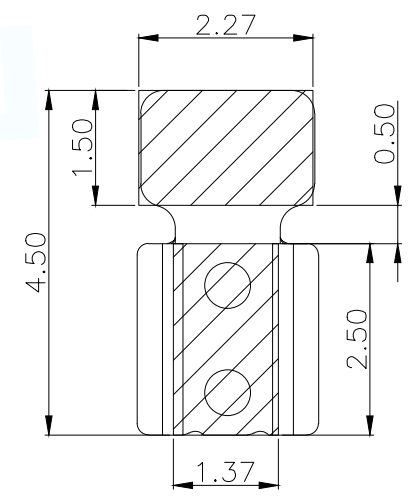
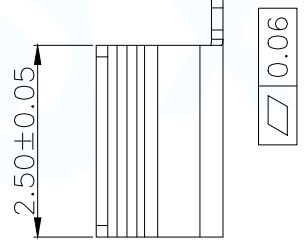
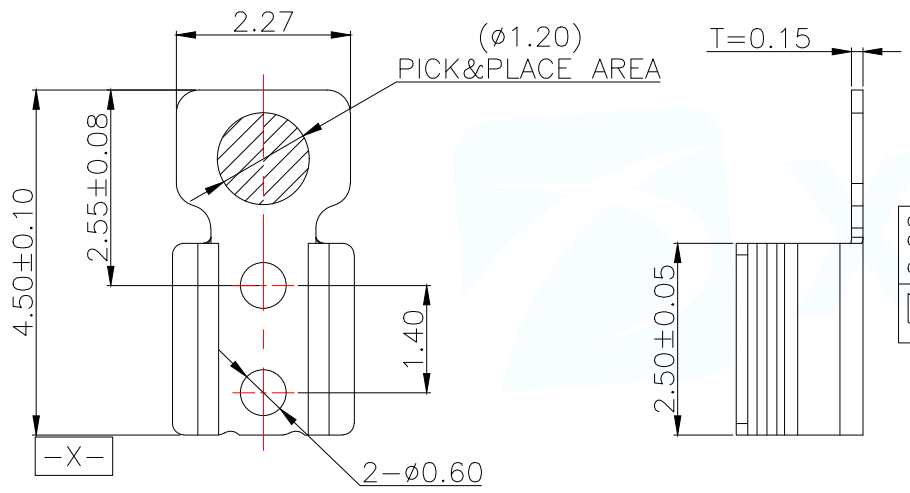
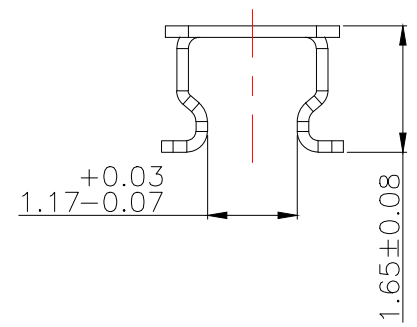
12	13	14	15
MAPX	MODIFICATION	DATE	DRAW APPROVE

NOTES

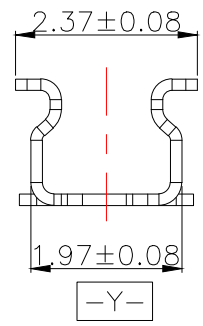
- (1) MATERIAL: SUS-301 THICKNE=0.15mm
- (2) PRODUCT SPECIFICATIONS:
 - 2-1: RATED CURRENT: 1.0A
 - 2-2: VOLTAGE RATING: 1.50V
 - 2-3: CONTACT RESISTANCE: 80mΩ/MAX
 - 2-4: WELDING THRUST: ≥ 3KG
 - 2-5: OPERATING TEMPERATURE: -40°C~+85°C
 - 2-6: DURABILITY: 1500 CYCLES
- (3) SALT SPRAY: 24 HOURS
- (4) FINISH: 50u"Min NICKEL UNDERPLATING OVER ALL.
- (5) REQUIREMENTS
 - 5-1: TERMINAL TO EAT FULL TIN, NOT PEELING WELDING OBVIOUS COLOR AND OTHER ADVERSE
 - 5-2: ROHS, REACH, HF HALOGEN ADVERSE OF DOMESTIC AND INTERNATIONAL ENVIRONMENTAL REQUIREMENTS



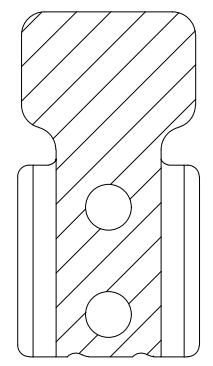
3D View



RECOMMENDED PCB LAYOUT
GENERAL TOLERANCE ±0.05

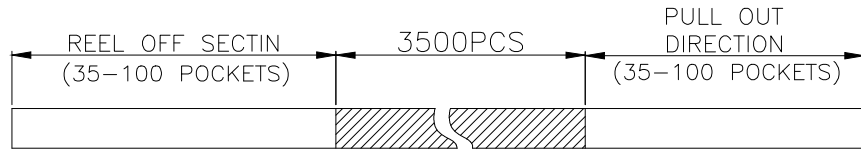


0.10 Y

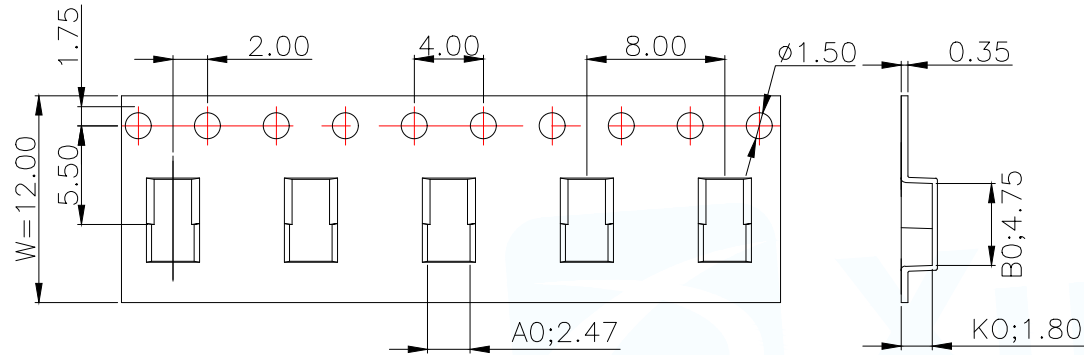


SOLDER AREA

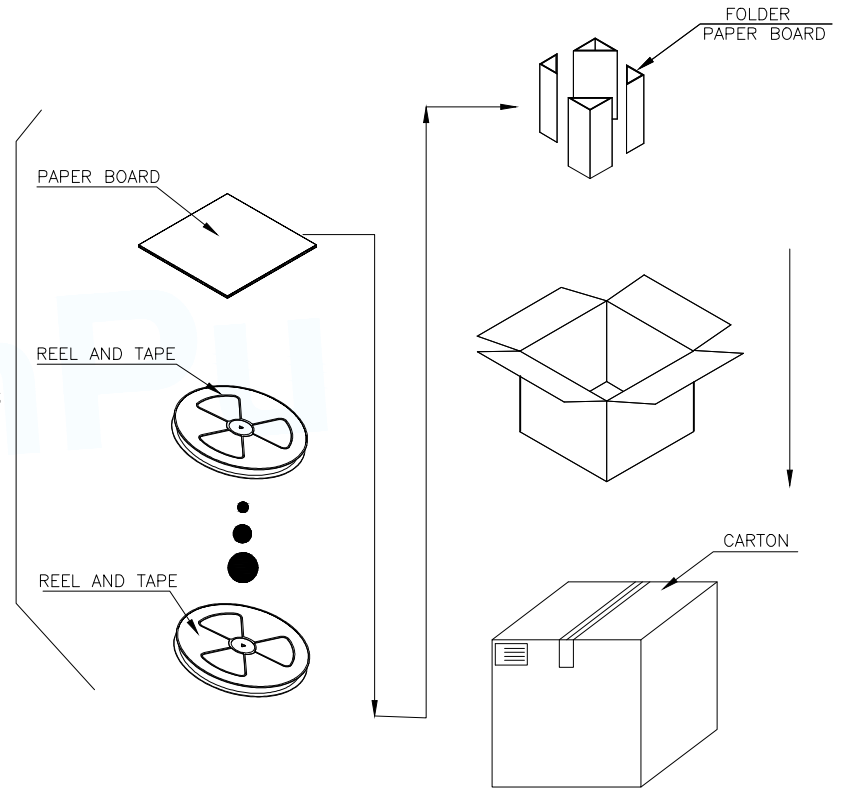
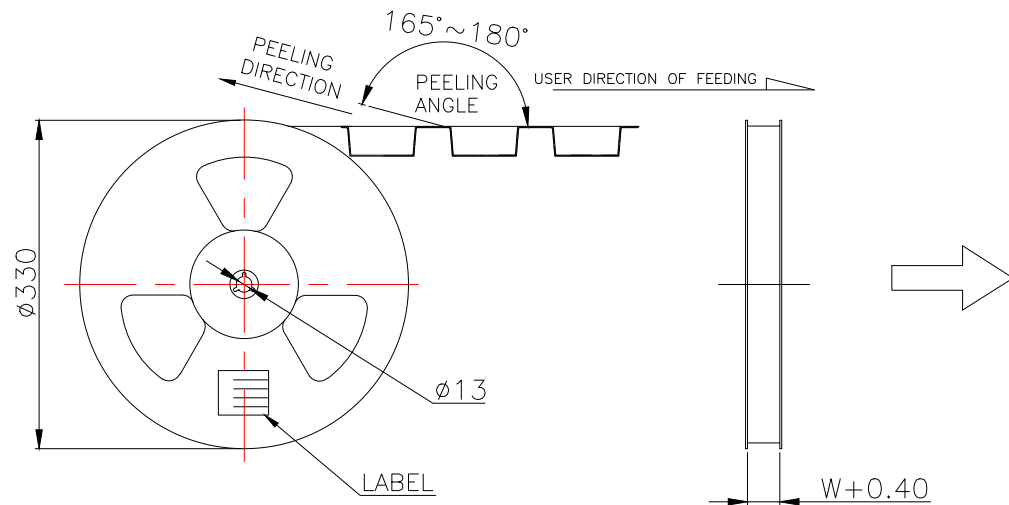
MANUFACTURE DWG		东莞市讯普电子科技有限公司 DongGuan XunPu Electronics Co., Ltd	
UNLESS OTHERWISE SPECIFIED TOLERANCES			TITLE: H1.65 WIRE CLAMP, SMT T=0.15mm
DECIMALS:	ANGLES:		PAR ASP-X1601-CB1
X.: ±0.30	X': ±2°		DWN Lucas
X.X: ±0.20	X.X': ±1°		CHKD Ethan
X.XX: ±0.15	X.XX': ±0.5°	CUSTOMER COPY	APVD Jacob
		SIZE: A4	SCALE: 1:1 UNIT: MM
		SHEET: 1F1	REV: A



CONN. QTY./REEL	REEL QTY./CARTON	CONN. QTY./CARTON
3500	20	70,000



← PRODUCT PACKAGING DIRECTION
 CUSTOMER TO USE DIRECTION →



MANUFACTURE DWG		 东莞市讯普电子科技有限公司 DongGuan XunPu Electronics Co.,Ltd	
UNLESS OTHERWISE SPECIFIED TOLERANCES			TITLE:H1.65 WIRE CLAMP,SMT T=0.15mm
DECIMALS:	ANGLES:		PAR ASP-X1601-CB1
X.:±0.30	X':±2°		DWN Lucas
X.X:±0.20	X.X':±1°		CHKD Ethan
X.XX:±0.15	X.XX':±0.5°	CUSTOMER COPY	APVD Jacob
		SCALE:1:1	UNIT:MM
		SIZE:A4	SHEET:1F1
			REV:A

X-ON Electronics

Largest Supplier of Electrical and Electronic Components

Click to view similar products for [Cable Glands, Strain Reliefs & Cord Grips](#) category:

Click to view products by [XUNPU](#) manufacturer:

Other Similar products are found below :

[1300980012](#) [DBZM-6828](#) [1498](#) [15190-103 R2](#) [1.587.3400.71](#) [300623](#) [07402002](#) [CD21NS-01](#) [VC-M-KV-PG16 1X3/1X8](#) [35935](#) [35882](#)
[M4340GAE](#) [4597](#) [NG-9516 Gasket](#) [52006157](#) [52006176](#) [BM4963L](#) [53629556](#) [53629570](#) [53629675](#) [52025230](#) [52024853](#) [52103160](#)
[52115810](#) [53017640](#) [53019051](#) [53019071](#) [53112270](#) [53112330](#) [53112840](#) [53112879](#) [53112929](#) [53111470](#) [53015270](#) [53015090](#) [53018090](#)
[PG-29](#) [36681](#) [36550](#) [36310](#) [35880](#) [1300990004](#) [Z5.507.2321.0](#) [CGB295-SG](#) [5320816](#) [1.089.1399.19](#) [1.089.2106.19](#) [1.089.2905.19](#)
[1.089.3699.19](#) [1.089.4801.19](#)