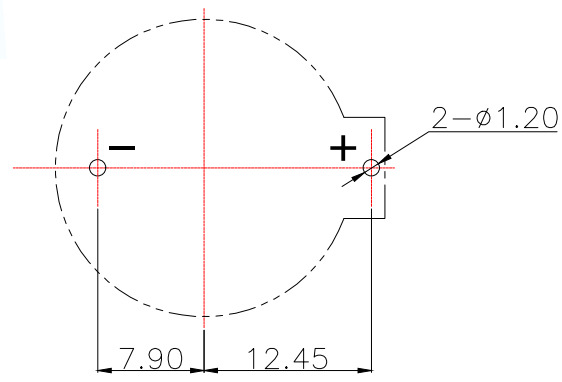


NOTE:
 1.MATERIAL:
 a.HOUSING:PBT BLACK UL94V-0
 b.CONTACT:PHOSPHOR BRONZE
 (SURFACE PLATING:Sn 100u"-120u")
 INFORMATION
 2.ELECTRIC:
 a.CONTACT RESISTANCE: 50 MILLIOHMS
 MAX
 b.INSULATION RESISTANCE: 100 MEGA
 OHMS MIN
 c.DIELECTNIC VOLTAGE: 500V AC ONE
 MINUTE
 d.OPERATING TEMPERATURE: -25°C~
 +85°C



PCB Layout Diagram
Top View

| | | | | |
|-----|-------------|------|---------------------------|---------------------------|
| 3 | TERMINAL(-) | 1 | PHOSPHOR BRONZE, T=0.20mm | Ni(30u")+Sn(80u")-Plating |
| 2 | TERMINAL(+) | 1 | PHOSPHOR BRONZE, T=0.40mm | Ni(30u")+Sn(80u")-Plating |
| 1 | HOUSING | 1 | PBT UL94V-0 | BLACK |
| NO. | PART NAME | Q'TY | MATERIAL | PLATING & COLOR |

| | | | | |
|---------------------------------------|--|---|----------------------|---------------|
| MANUFACTURE DWG | | 东莞市讯普电子科技有限公司 DongGuan XunPu Electronics Co.,Ltd | | |
| UNLESS OTHERWISE SPECIFIED TOLERANCES | | | TITLE: 2.0 Sn DIP | |
| DECIMALS: X.X±0.30 | | | PAR | BS-0201-DK-0B |
| ANGLES: X.*±5' | | | DWN | |
| X.XX±0.25 | | | CHKD | |
| X.XXX±0.15 | | APVD | | |
| | | SCALE N:A | UNIT:MM | |
| | | SIZE:A4 | SHEET:1F1 | |
| | | CUSTOMER COPY | REV:A | |

X-ON Electronics

Largest Supplier of Electrical and Electronic Components

Click to view similar products for [Coin Cell Battery Holders](#) category:

Click to view products by [XUNPU](#) manufacturer:

Other Similar products are found below :

[PDSN-11-D](#) [799-2007](#) [BH44AAB](#) [BH48DL](#) [BH8000](#) [MY-2430-01-R](#) [BS-16-B4AA006-R](#) [KH-CR1220-2](#) [BH-18650-A1AJ006](#) [BS-02-A1BK007](#) [BH-18650-A1AJ005](#) [BS-12-B3AA009-R](#) [BS-02-A1AK010-X](#) [BS-02-A1AJ010](#) [BS-03-A1AJ001](#) [MY-FJ-131-J-R](#) [MY-FJ-04-J-R](#) [BS-08-B2AA025](#) [BS-24-A1AJ017](#) [BH-18650-A5BJ001-2D](#) [BS-12-A1AJ002-Z](#) [BS-08-B2AA032](#) [MY-2032-04-R](#) [BS-12-B3AA011-R](#) [BS-621-B4AA001-R](#) [MY-ZJ-110](#) [MY-FJ-127-R](#) [BS-06-B4AA002-R](#) [MY-1220-04](#) [BH-AAA-A1AJ001](#) [BS-12-B3AA003-T](#) [MY-FJ-115II-R](#) [BS-06-B4AK001-R](#) [BH-18650-B1BA007](#) [MY-FJ-115II](#) [BH-AAA-B5AA001](#) [BE-13-017](#) [MY-2477-01](#) [BS-12-B3AA013](#) [BC-25-5PD-300](#) [BS-08-B2AA016-R](#) [MY-AAA-22-J](#) [MY-AA-14-J](#) [MY-AAA-24-J](#) [MY-2032-28](#) [BS-06-A4BK016](#) [MY-FJ-01](#) [MY-1025-01](#) [MY-AA-5355-J](#) [BS-05-A1BJ018](#)