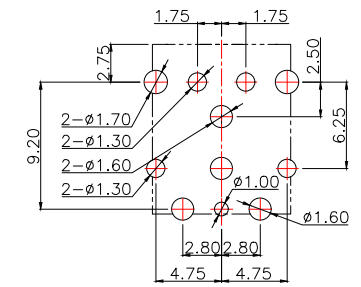
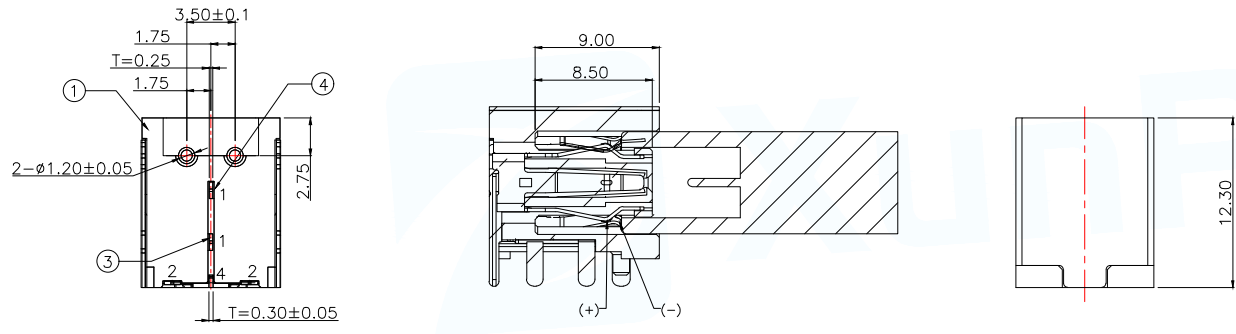
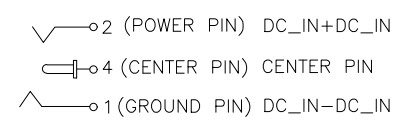
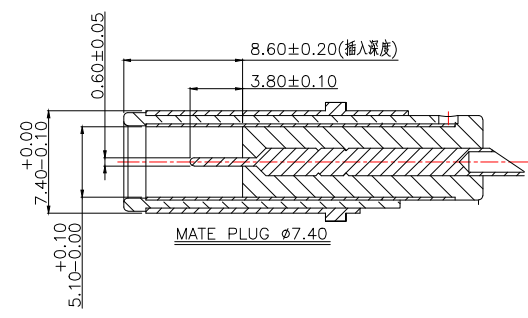


3D



RECOMMENDED PCB LAYOUT
GENERAL TOLERANCE ±0.05

Main technical performance	
Rated electrical load	AC 30V OR DC 42V 10A
Contact resistance	30mΩ MAX(INITIAL)
	40mΩ MAX(FINAL)
Insulation resistance	100 MΩ MIN
Pressure resistance	150 VAC 1MIN
Insertion force	1.0~3.0Kgf
Operating temperature range	-40C°~+85C°
Wave soldering	265°C 3~5S
IR Reflow Soldering	230~250°C 20~40S
service life	5000cycles



SCHEMATIC

ITEM	DESCRIPTION	QTY	MATERIAL	FINISH
6	DETECT PIN	1	PHOSPHOR BRONZE C7025	Au+Tin(100u")
5	POWER PIN	1	PHOSPHOR BRONZE C7025	Au+Tin(100u")
4	GROUND PIN 2	1	PHOSPHOR BRONZE C7025	Au+Ni(50u")
3	GROUND PIN 1	1	PHOSPHOR BRONZE C7025	Au+Ni(50u")
2	SHELL	1	SUS304	Ni(50u")
1	HOUSING	1	PA10T	

MANUFACTURE DWG			东莞市讯普电子科技有限公司 DongGuan XunPu Electronics Co.,Ltd	
UNLESS OTHERWISE SPECIFIED TOLERANCES			TITLE: DC SOCKET	
DECIMALS:	ANGLES:	PAR	DC-506-ACL060	
X.:±0.20	X':±1°	DWN	Lucas	
X.X:±0.10	X.X':±0.5°	CHKD	Ethan	
X.XX:±0.05		APVD	Jacob	
		SCALE:1:1	UNIT:MM	
		CUSTOMER COPY	SIZE:A4	
			SHEET:1F1	
			REV:A	

X-ON Electronics

Largest Supplier of Electrical and Electronic Components

Click to view similar products for [DC Power Connectors](#) category:

Click to view products by [XUNPU](#) manufacturer:

Other Similar products are found below :

[KLDX-SMT-0202-BPTR](#) [171-0722-E](#) [K596](#) [KLD-0201-BC](#) [4C6831AX](#) [10073976-112LF](#) [LCB60PW-M](#) [LCB30PW-M](#) [LCB60PB-M](#)
[LCC30PB-M](#) [LCB50PW-M](#) [LCB50-M](#) [LCB60-F](#) [LCC30-M](#) [LCB40PW-M](#) [LCC30PW-M](#) [LCB50-F](#) [LCB40-F](#) [LCB30-F](#) [LCC40-M](#)
[LCC40PB-M](#) [LCB40PB-M](#) [LCC40-F](#) [LCB60-M](#) [LCC40PW-M](#) [LCB50PB-M](#) [DC-002-100](#) [DC-031A-130](#) [DC-031A-100](#) [DC-003A-130](#)
[DC-045-130](#) [DC-192-130](#) [DC-033-130](#) [DC-011-100](#) [DC-002F-130](#) [DC-002-130](#) [DB-14-2F](#) [DC-183B](#) [DC-060-04A](#) [DC-099-200](#) [DC-015-](#)
[250-A](#) [DC-016-200-A](#) [DC-005A-200](#) [DC-044A-200](#) [DC-088-200](#) [DC-022A-200](#) [DC-038-150](#) [DC-012A-250](#) [DC-005C-130](#) [DC-012A-200](#)