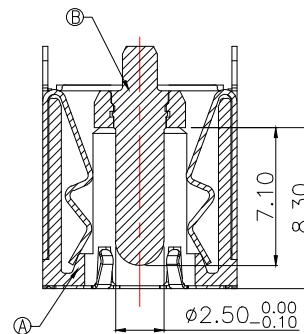
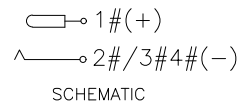


RECOMMENDED PCB LAYOUT
GENERAL TOLERANCE ± 0.05

| Main technical performance | |
|-----------------------------|---------------------------|
| Rated electrical load | DC 20V 20A |
| Contact resistance | 30m Ω MAX(INITIAL) |
| | 50m Ω MAX(FINAL) |
| Insulation resistance | 100 M Ω MIN |
| Pressure resistance | 500 VAC |
| Insertion force | 3~30N |
| extraction force | 3~30N |
| Operating temperature range | -40C~+85C |
| service life | 5000cycles |



SECTION A-A



| NO. | DESCRIPTION | QTY | MATERIAL | REMARKS |
|-----|-------------|-----|-------------------------|-------------------------|
| E | MYLAR | 1 | / | / |
| D | GROUND | 1 | SUS 304 | / |
| C | SHELL | 1 | COPPER ALLOY | Ni 40u" MIN |
| B | CENTER PIN | 1 | BRASS | GOLD FLASH /Ni 40u" MIN |
| A | HOUSING | 1 | HIGH TEMP.THERMOPLASTIC | BLACK |

| | | | |
|---------------------------------------|-------------------------|---|-------------------------|
| MANUFACTURE DWG | | 东莞市讯普电子科技有限公司 DongGuan XunPu Electronics Co.,Ltd | |
| UNLESS OTHERWISE SPECIFIED TOLERANCES | | | TITLE: DC SOCKET |
| | | | PAR DC-507-ARL250-H105 |
| DECIMALS: | ANGLES: | | DWN Lucas |
| X.: ± 0.20 | X': $\pm 1^{\circ}$ | | CHKD Ethan |
| X.X: ± 0.10 | X.X': $\pm 0.5^{\circ}$ | APVD Jacob | SCALE:1:1 UNIT:MM |
| X.XX: ± 0.05 | | CUSTOMER COPY | SIZE:A4 SHEET:1F1 REV:A |

X-ON Electronics

Largest Supplier of Electrical and Electronic Components

Click to view similar products for [DC Power Connectors](#) category:

Click to view products by [XUNPU](#) manufacturer:

Other Similar products are found below :

[KLDX-SMT-0202-BPTR](#) [171-0722-E](#) [K596](#) [KLD-0201-BC](#) [4C6831AX](#) [10073976-112LF](#) [LCB60PW-M](#) [LCB30PW-M](#) [LCB60PB-M](#)
[LCC30PB-M](#) [LCB50PW-M](#) [LCB50-M](#) [LCB60-F](#) [LCC30-M](#) [LCB40PW-M](#) [LCC30PW-M](#) [LCB50-F](#) [LCB40-F](#) [LCB30-F](#) [LCC40-M](#)
[LCC40PB-M](#) [LCB40PB-M](#) [LCC40-F](#) [LCB60-M](#) [LCC40PW-M](#) [LCB50PB-M](#) [DC-002-100](#) [DC-031A-130](#) [DC-031A-100](#) [DC-003A-130](#)
[DC-045-130](#) [DC-192-130](#) [DC-033-130](#) [DC-011-100](#) [DC-002F-130](#) [DC-002-130](#) [DB-14-2F](#) [DC-183B](#) [DC-060-04A](#) [DC-099-200](#) [DC-015-](#)
[250-A](#) [DC-016-200-A](#) [DC-005A-200](#) [DC-044A-200](#) [DC-088-200](#) [DC-022A-200](#) [DC-038-150](#) [DC-012A-250](#) [DC-005C-130](#) [DC-012A-200](#)