

NOTE:

1.MATERIAL:

- 1.1 HOUSING: LCP, UL 94V-0 COLOR: BLACK.
- 1.2 CONTACT: C2680, T=0.20mm.
- 1.3 SHIELD: C2680, T=0.40mm.
- 1.4 COVER: LCP,UL 94V-0

2.FINISH:

- 2.1 CONTACT: GOLD(1U") PLATING IN CONTACT AREA, 50u"MIN Tin PLATED IN SOLDER AREA,50u" MIN. NICKEL UNDERPLATED OVERALL.
- 2.2 SHIELD: 50u" MIN. NICKEL UNDERPLATED OVERALL.

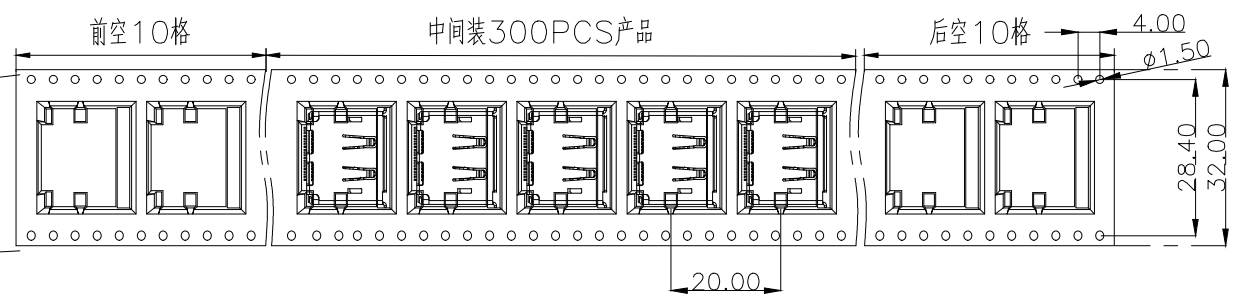
3.MECHANICAL CHARACTERISTICS

- 3.1 RATING CURRENT: 0.5A
- 3.2 RATING VOLTAGE: 40V
- 3.3 CONTACT RESISTANCE: 40 mΩ MAX
- 3.4 INSULATION RESISTANCE a, UNMATED: 100MΩ MIN AT 500 VDC b, MATED: 10M OHMS MIN AT 150 VDC
- 3.5 DIELECTRIC WITHSTANDING VOLTAGE: 500V AC/1MINUTE
- 3.6 DURABILITY: 10000 CYCLES.

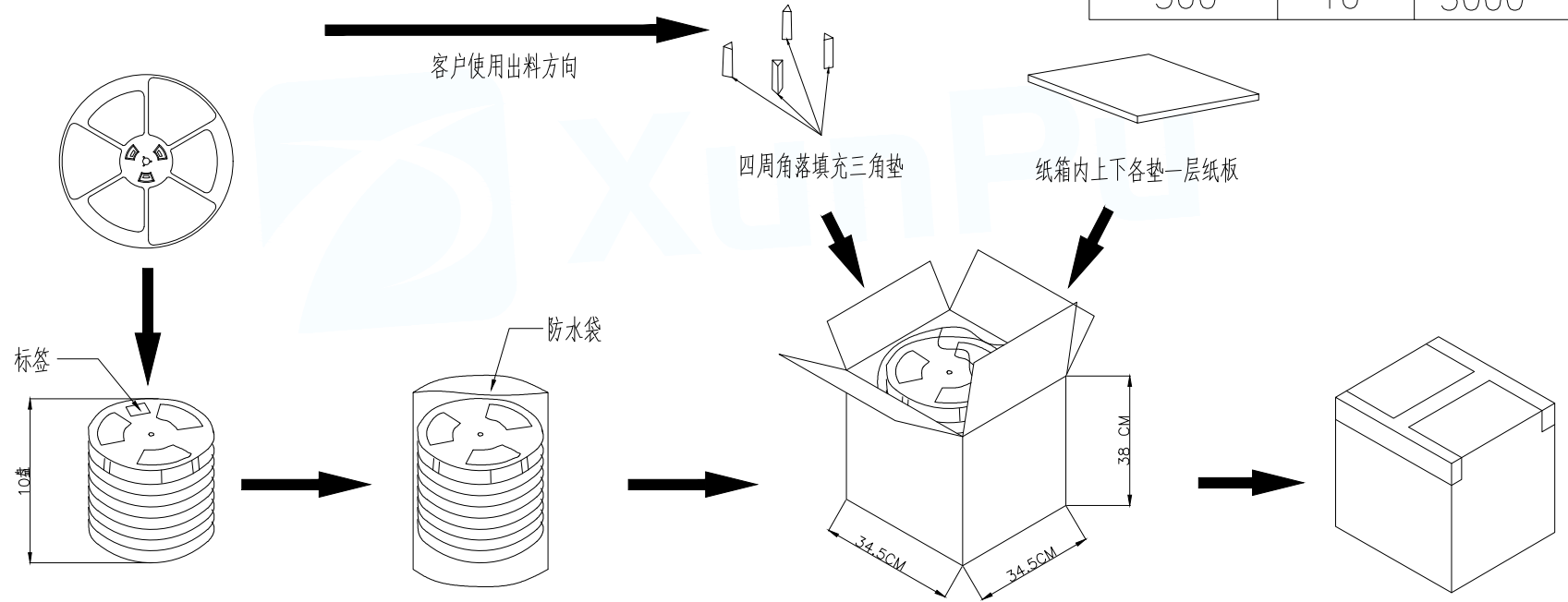
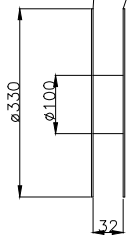
| | | | |
|---------------------------------------|-----------|---|-------------------------|
| MANUFACTURE DWG | | 东莞市讯普电子科技有限公司 DongGuan XunPu Electronics Co.,Ltd | |
| UNLESS OTHERWISE SPECIFIED TOLERANCES | | TITLE: DP 20P CONN | |
| | | PAR | DP-001-R-J |
| | | DWN | |
| | | CHKD | |
| | | APVD | |
| DECIMALS: | ANGLES: | SCALE:1:1 | UNIT:MM |
| X.X:±0.25 | X.°:±1.5' | | |
| X.XX:±0.15 | X.X:±1.0' | | |
| X.XXX:±0.10 | | CUSTOMER COPY | SIZE:A4 SHEET:1F1 REV:A |



| | | | | |
|------|--------------|------|------|---------|
| MAPX | MODIFICATION | DATE | DRAW | APPROVE |
| | | | | |



| | | |
|-------|-----|-------|
| PCS/卷 | 卷/箱 | PCS/箱 |
| 300 | 10 | 3000 |



| | | | |
|---------------------------------------|-----------|---|-------------------------------|
| MANUFACTURE DWG | | 东莞市讯普电子科技有限公司 DongGuan XunPu Electronics Co.,Ltd | |
| UNLESS OTHERWISE SPECIFIED TOLERANCES | | TITLE: DP 20P CONN | |
| | | PAR | DP-001-R-J |
| | | DWN | |
| | | CHKD | |
| | | APVD | |
| DECIMALS: | ANGLES: | SCALE 1:1 | UNIT:MM |
| X.X:±0.25 | X.°:±1.5° | CUSTOMER COPY | SIZE:A4 SHEET:1F1 REV:A |
| X.XX:±0.15 | X.X:±1.0° | | |
| X.XXX:±0.10 | | | |

X-ON Electronics

Largest Supplier of Electrical and Electronic Components

Click to view similar products for [D-Sub Standard Connectors](#) category:

Click to view products by [XUNPU](#) manufacturer:

Other Similar products are found below :

[015-0339-000](#) [015-0341-000](#) [015-0349-000](#) [015-0350-000](#) [015-8544-011](#) [015-8755-001](#) [017041-0005](#) [020419-0104](#) [609-25P](#) [609-9P](#)
[M24308/2-23Z](#) [CT0-24-10SC](#) [CT0-36-3PC](#) [CT0E20-8PS](#) [CT0F16S-1PS](#) [CT0TA16-11SXCA232](#) [CT1E20-19SS](#) [CT2-10SL-3SC](#) [CT2-14S-2PCA34](#) [CT2-18-11PCAU](#) [CT2-22-19SC](#) [CT2-36-5PC](#) [CT6-10SL-3SC](#) [CT6-10SL-4SC](#) [CT6-14S-2SC](#) [CT6-16-12SC](#) [CT6-18-10PSA206](#)
[CT6-18-10PSA232](#) [CT6-18-11PXSA206](#) [CT6-18-11PXSA232](#) [CT6-22-10PS](#) [CT6-24-5PC](#) [CT6-9767-18-8-18-4SS](#) [CT6E14S-5SC](#)
[CT6E14SA7SC](#) [CT6E20-14SS](#) [CT6E22-14PC](#) [CT6E22-14PS](#) [CT6E22-19PS](#) [CT6E22-22PS](#) [CT6E24-10SC](#) [CT6F16S-1SC](#) [CT6FA10SL-4PS](#)
[CT6LA20-19PC](#) [CT6M20-19SS](#) [CT6NSB4-20-8SS](#) [CT6TC14S-6SCAU](#) [CT6TC14S-7PS](#) [6STD15SCT99S40X](#) [6STF09PCM05B70X](#)