

NOTE:

1.MATERIAL:

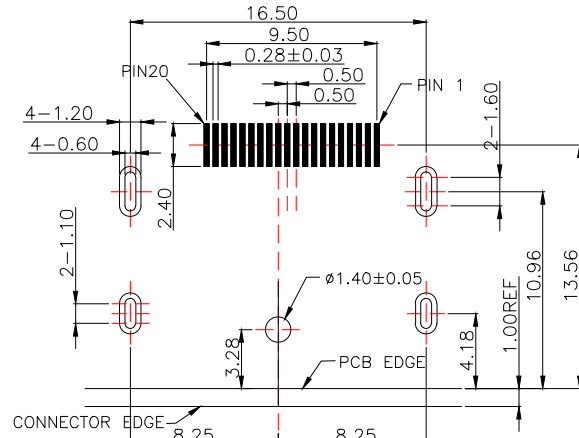
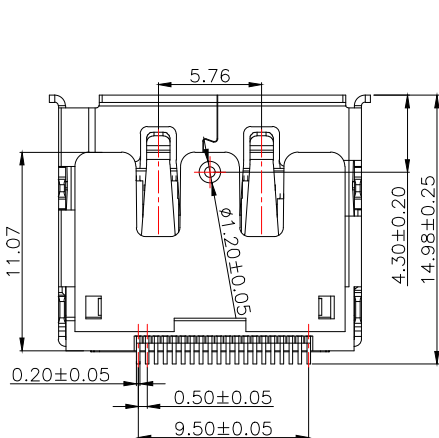
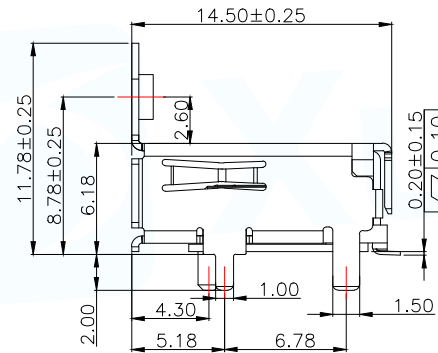
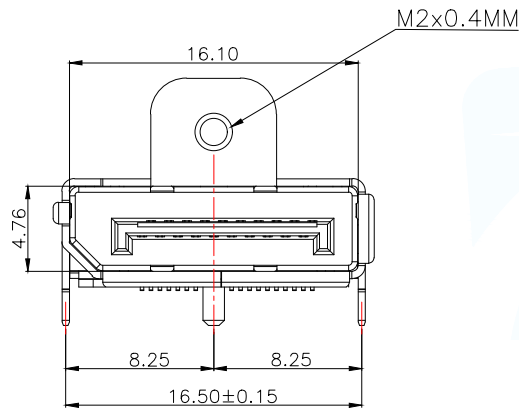
- 1.1 HOUSING: LCP, UL 94V-0 COLOR: BLACK.
- 1.2 CONTACT: C2680, T=0.20mm.
- 1.3 SHIELD: C2680, T=0.40mm.
- 1.4 COVER: LCP,UL 94V-0

2.FINISH:

- 2.1 CONTACT: GOLD(1U") PLATING IN CONTACT AREA, 50u"MIN Tin PLATED IN SOLDER AREA,50u" MIN. NICKEL UNDERPLATED OVERALL.
- 2.2 SHIELD: 50u" MIN. NICKEL UNDERPLATED OVERALL.

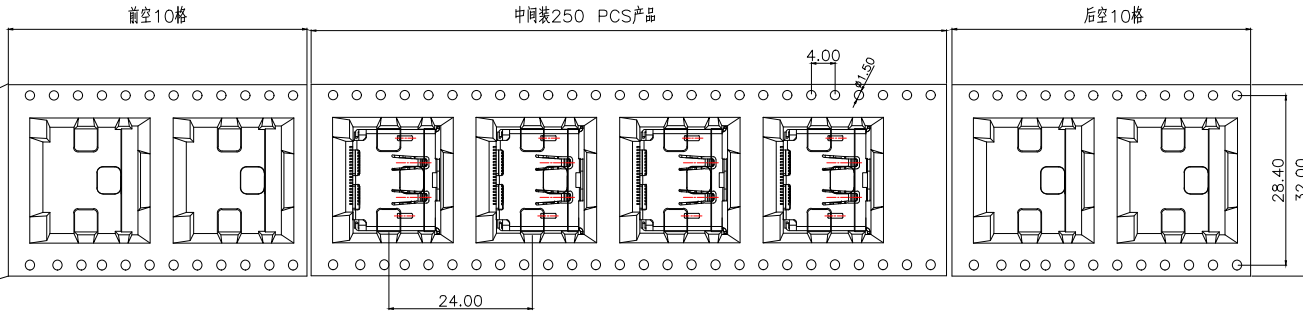
3.MECHANICAL CHARACTERISTICS

- 3.1 RATING CURRENT: 0.5A
- 3.2 RATING VOLTAGE: 40V
- 3.3 CONTACT RESISTANCE: 40 mΩ MAX
- 3.4 INSULATION RESISTANCE a, UNMATED: 100MΩ MIN AT 500 VDC b, MATED: 10M OHMS MIN AT 150 VDC
- 3.5 DIELECTRIC WITHSTANDING VOLTAGE: 500V AC/1MINUTE
- 3.6 DURABILTY: 10000 CYCLES.

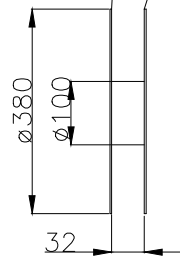


RECOMMENDED P.C.B LAYOUT(PCB THICKNESS: 1.6mm)
COMPONENT SIDE VIEW(TOLERANCE: ±0.05)

MANUFACTURE DWG			 东莞市讯普电子科技有限公司 DongGuan XunPu Electronics Co.,Ltd	
UNLESS OTHERWISE SPECIFIED TOLERANCES			TITLE: DP 20P CONN 8.78	
DECIMALS: X.X:±0.25			PAR	DP-002-C-Y-A
ANGLES: X.:±1.5°			DWN	
X.XX:±0.15		CHKD		
X.XXX:±0.10		APVD		
		SCALE:1:1	UNIT:MM	
		SIZE:A4	SHEET:1F1	
		CUSTOMER COPY		REV:A



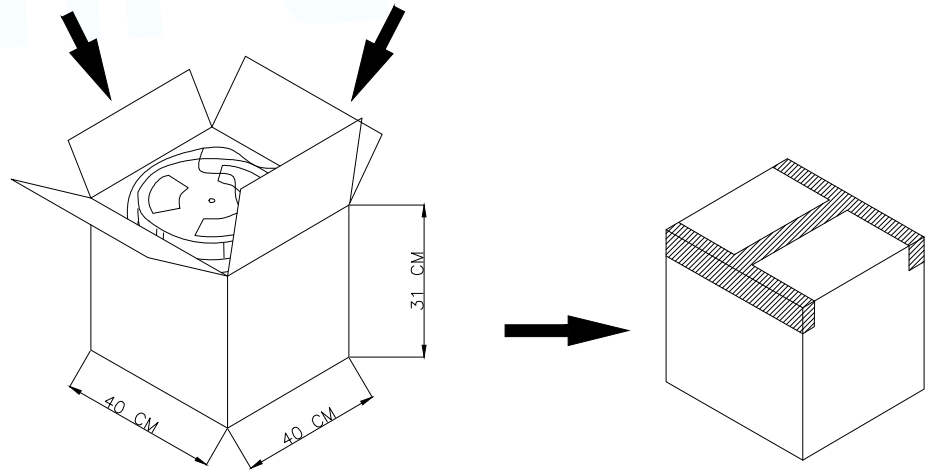
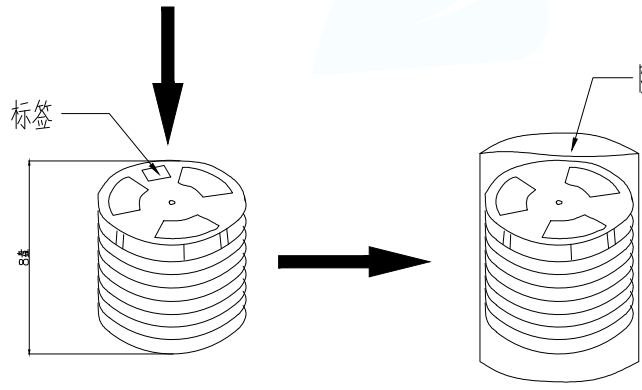
PCS/卷	卷/箱	PCS/箱
250	8	2000



客户使用出料方向

四周角落填充三角垫

纸箱内上下各垫一层纸板



MANUFACTURE DWG		东莞市讯普电子科技有限公司 DongGuan XunPu Electronics Co.,Ltd	
UNLESS OTHERWISE SPECIFIED TOLERANCES			TITLE: DP 20P CONN 8.78
DECIMALS:	ANGLES:		PAR DP-002-C-Y-A
X.X:±0.25	X.:±1.5°		DWN
X.XX:±0.15	X.X:±1.0°		CHKD
X.XXX:±0.10		APVD	SCALE:1:1
		CUSTOMER COPY	UNIT:MM
			SIZE:A4
			SHEET:1F1
			REV:A

X-ON Electronics

Largest Supplier of Electrical and Electronic Components

Click to view similar products for [HDMI, Displayport & DVI Connectors](#) category:

Click to view products by [XUNPU](#) manufacturer:

Other Similar products are found below :

[30-528](#) [30-504](#) [33DVIR-24S1B](#) [47648-2000](#) [TC142X](#) [1932649-1](#) [HAGBH](#) [ABIBG](#) [AAIBH](#) [52355](#) [XHLJQ-00026](#) [HDMI-019R](#)
[G46M2013201AWEU](#) [ST-0277D00-052-142](#) [HC-PJ-320A-3P-D](#) [HC-PJ-3133-5P-D](#) [PJ-342](#) [141](#) [PJ-320A-4P DIP](#) [HC-PJ-325C-5P](#) [HC-PJ-320D-4P-S](#) [HC-PJ-3133-6P-S](#) [D-SUB-DR-9PCM-CB](#) [ST-0275S00-082-182](#) [HC-PJ-320A-4P-D](#) [HC-PJ-325A-5P](#) [HC-PJ-3134-6P-D](#) [HDR-HX-102DIP](#) [HDMI-GD-121PWB](#) [C2939191](#) [C2939584](#) [PJ-208](#) [PJ-2040](#) [PJ-3580A-6A](#) [PJ-399M](#) [PJ-3200A-3A](#) [PJ-328B-4B](#) [PJ-3930-7A](#)
[PJ-615-5A](#) [PJ-332-6A](#) [KH-HDMI-0001](#) [KH-PJ-209-SMT](#) [KH-HDMI-0035-XK](#) [KH-PJ-328A-5P](#) [KH-PJ-322](#) [KH-PJ-327E-SMT](#) [KH-PJ-320A-5.6](#) [KH-HDR15P-F3.08](#) [KH-HDMI-0005A-SMT](#) [KH-HDMI-0021-JBS](#) [KH-HDMI-0002](#)