

NOTES:

1.MECHANICAL:

- 1>.Operation force: 1000gf Max.
- 2>.Operation Temperature: -30℃ to +85℃.
- 3>.Storage Temperature: -40℃ to +85℃.
- 4>.Mechanical Life: 3000 cycles operations.
- 5>.Resistance to Soldering: 260±5℃ for 3-5 Seconds.
- 6>.Please keep switch in "OFF" when welding.

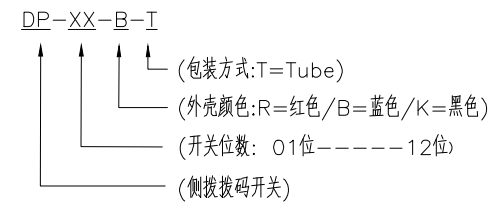
2.MATERIAL:

- 1>.Base: UL94V-0 PBT Thermoplastic / Color:Black.
- 2>.COVER: UL94V-0 PBT Thermoplastic / Color:Red, Black, Blue.
- 3>.ACTUATOR: UL94V-0 PBT High Thermoplastic / Color: White.
- 4>.TERMINAL: Copper alloy with gold plating for1.5u".

3.ELECTRICAL:

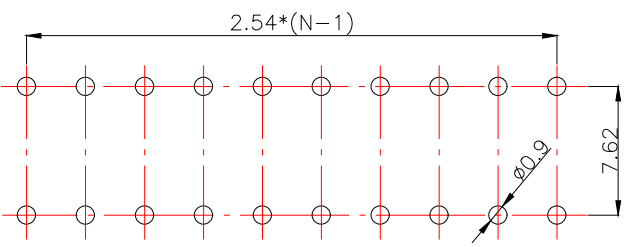
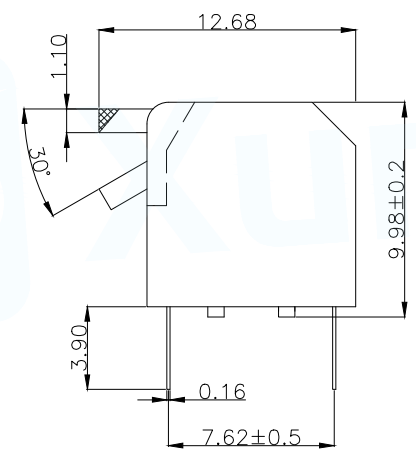
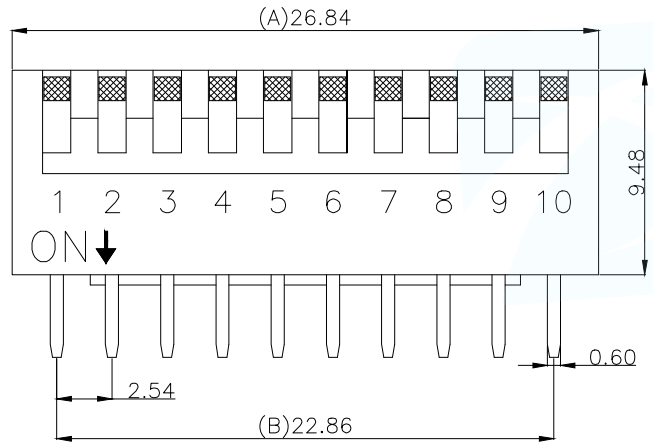
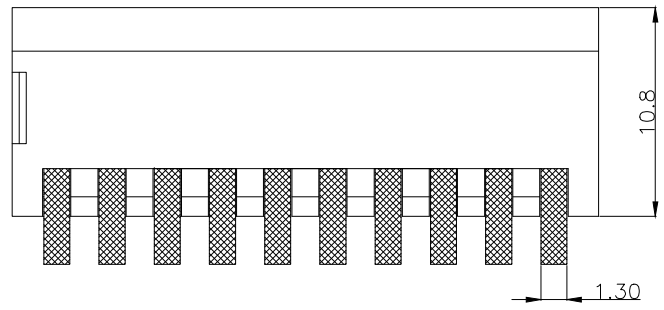
- 1>.Non-switching Rating:100mA at 50VDC.
- 2>.Switching Rating: 25mA at 24VDC.
- 3>.Contact Resistance: Inital 50mΩ Max.
Contact Resistance: After life 100mΩ Max.
- 4>.Insulation Resistance:100MΩ Min at 500VDC.
- 5>.Dielectric Strength: 500VAC for 60seconds.
- 6>.Switch Capacitance: 5PF Max at 1MHZ.

4.PART NUMBER DESCRIPTION:

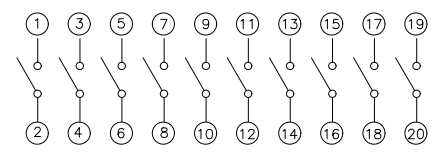


5.PACKING: 18pcs/Tube, 576pcs/Box.

MANUFACTURE DWG		 东莞市讯普电子科技有限公司 DongGuan XunPu Electronics Co.,Ltd	
UNLESS OTHERWISE SPECIFIED TOLERANCES		TITLE:PRODUCT Family DP Series Pitch 2.54mm	
		PAR	DP-10-B-T
DECIMALS:		DWN	
ANGLES:		CHKD	
>0±0.05	>0°±0.5'	APVD	
>1±0.10	>5°±1.0'	SCALE:1:1	UNIT:MM
>10±0.30		CUSTOMER COPY	SIZE:A4
		SHEET:1F1	REV:A



[P.C.B.LAYOUT]



[Schematic]

X-ON Electronics

Largest Supplier of Electrical and Electronic Components

Click to view similar products for [DIP Switches/SIP Switches](#) category:

Click to view products by [XUNPU](#) manufacturer:

Other Similar products are found below :

[79B10T](#) [8136-475G4T](#) [G7G-1A2-CB-DC12](#) [DRR60016](#) [DRS4016](#) [1825444-1](#) [200183](#) [206002](#) [219-6LPSTRF](#) [25.350.0653.0](#)
[SDA10H1BDA](#) [97R06ST](#) [A2C-2A5](#) [1825058-4](#) [1825444-7](#) [ADE08SA04](#) [ADE12S04](#) [192960010](#) [206005RAS](#) [206007](#) [2-1825058-8](#)
[25.352.0353.0](#) [CXDRIVEV2X](#) [LA2-002-DC24](#) [DSR02T](#) [E2FMX2D1M1TGJ03M](#) [NDI10H](#) [219-9MSTP](#) [EPM02FV](#) [206010RAST](#) [219-](#)
[5LPSTJRF](#) [76SB05](#) [TD06H0SK1](#) [Z7.255.9027.0](#) [1-1825058-3](#) [1825428-4](#) [219-10LPSTF](#) [E3ZG6111D03M](#) [G4D212PUSTV2DC5](#)
[EPG301BT06](#) [1-1825058-6](#) [E3TSL23M5J03M](#) [Y5795](#) [7R0060](#) [HARW0001](#) [ADE07S04](#) [432220096](#) [206005](#) [206006](#) [206010](#)