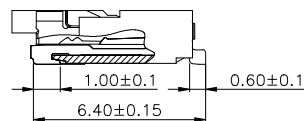
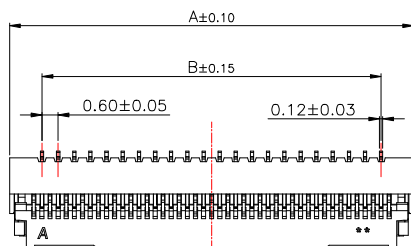
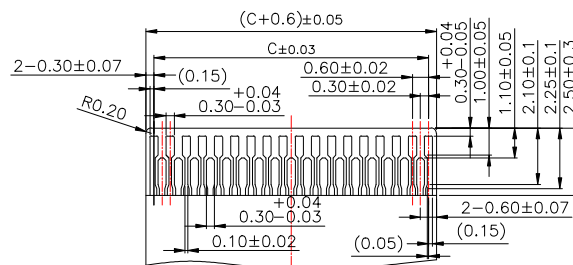
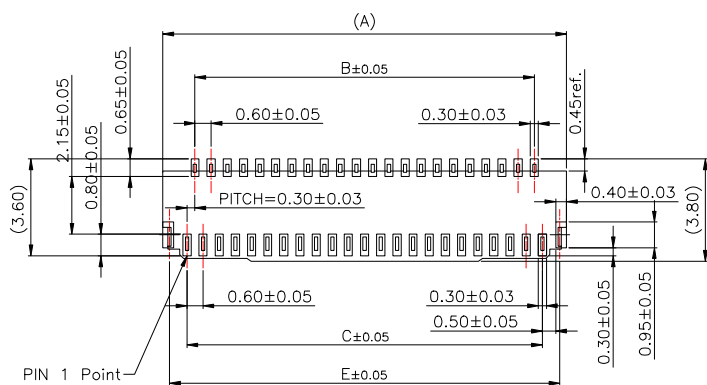
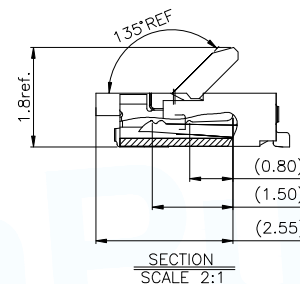
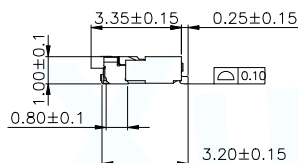
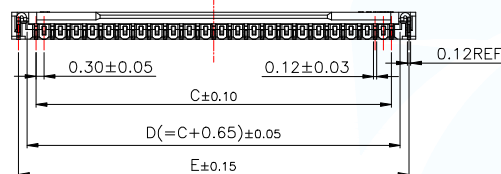


| | | | | |
|------|--------------|------|------|---------|
| MAPX | MODIFICATION | DATE | DRAW | APPROVE |
| | | | | |



| Part No | Pin | A | B | C | D | E |
|--------------------|-----|-------|-------|-------|-------|-------|
| FPC-0.3FX-57PWBH10 | 57 | 18.60 | 16.20 | 16.80 | 17.45 | 18.10 |
| FPC-0.3FX-61PWBH10 | 61 | 19.80 | 17.40 | 18.00 | 18.65 | 19.30 |
| FPC-0.3FX-67PWBH10 | 67 | 21.60 | 19.20 | 19.80 | 20.45 | 21.10 |
| FPC-0.3FX-71PWBH10 | 71 | 22.80 | 20.40 | 21.00 | 21.65 | 22.30 |



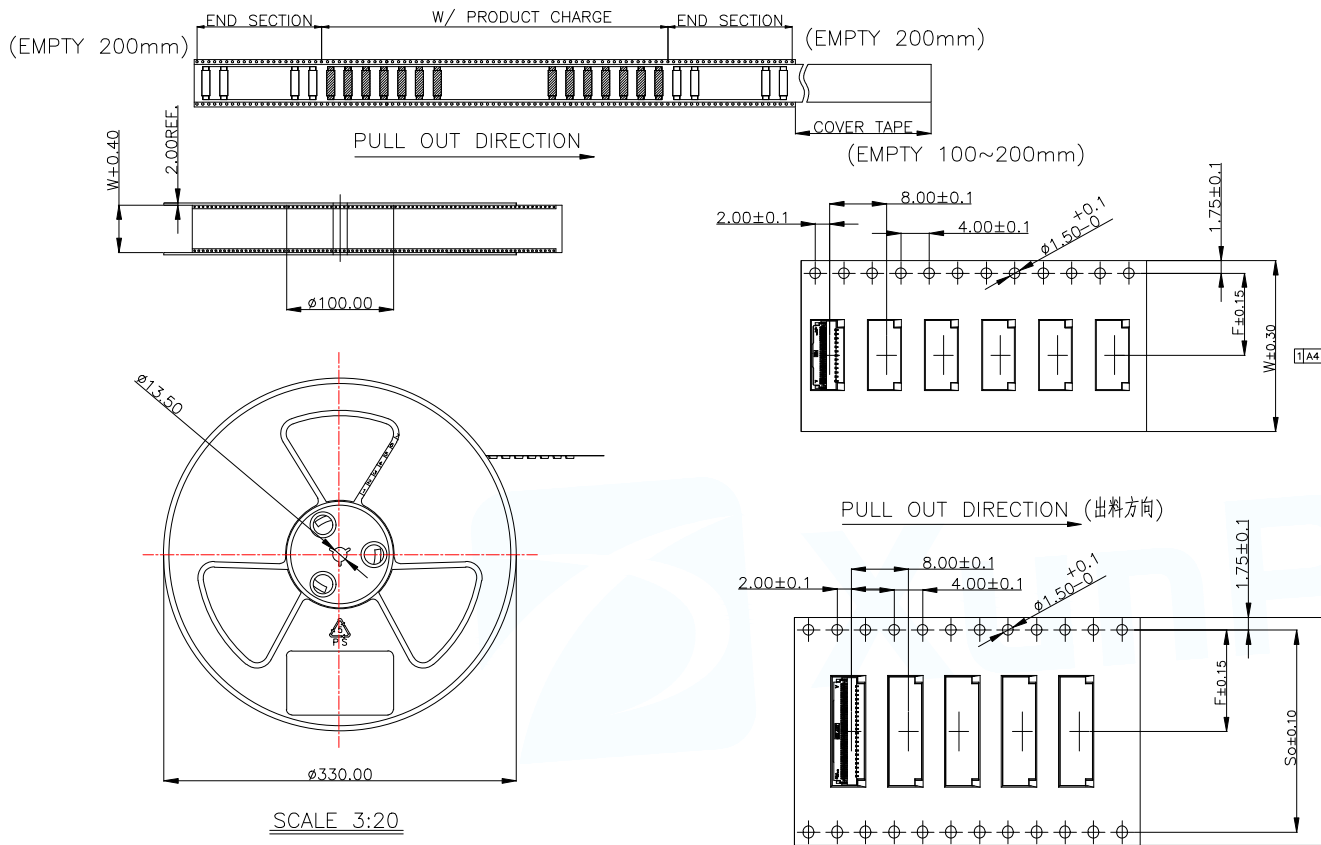
NOTES:

- MATERIAL:
HOUSING: HIGH-TEMP PLASTIC,UL 94V-0,COLOR:BLACK;
COVER: HIGH-TEMP PLASTIC,UL 94V-0,COLOR:BLACK;
TERMINAL: COPPER ALLOY;
PEG: COPPER ALLOY;
- PLATING:
2.1 TERMINAL CONTACT&SOLDER AREA:
60u" MIN. NICKEL UNDERPLATING OVERALL.
G:GOLD(1u" Min) FLASH PLATED SELECTIVELY.
T:3u" GOLD ON CONTACT AND SOLDER TAIL AREA
PLATED SELECTIVELY.
2.2 PEG: 100u"~200u" MATT TIN PLATED ON NICKEL.
60u"~160u" NICKEL OVERALL.
- RATING:
CURRENT RATING: 0.3A AC/DC
VOLTAGE RATING: 30V AC/DC
TEMPERATURE RANGE: -55°C~+85°C;

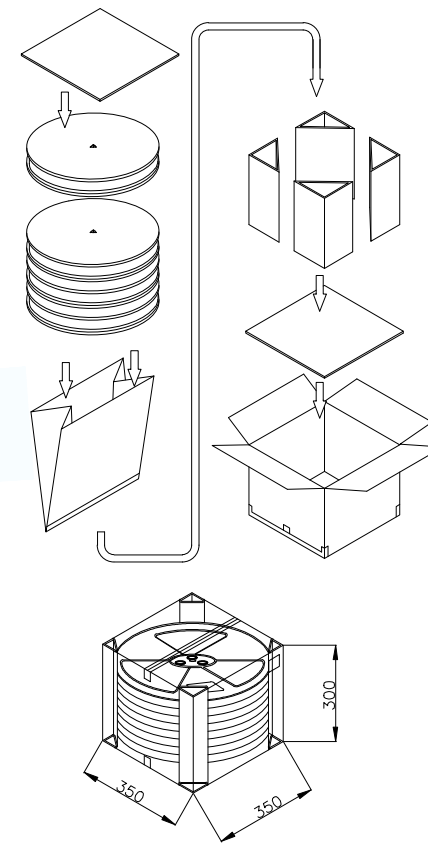
FFC/FPC INSERT DIRECTION
RECOMMEND PCB LAYOUT

APPLICABLE FFC/FPC
FFC/FPC THICKNESS=0.20±0.03

| | | | | |
|---------------------------------------|---------|---|---|-------------------|
| MANUFACTURE DWG | |  东莞市讯普电子科技有限公司 DongGuan XunPu Electronics Co.,Ltd | TITLE:FPC 0.3Pitch 1.0H ZIF R/A Connector | |
| UNLESS OTHERWISE SPECIFIED TOLERANCES | | | PAR | FPC-0.3FX-NPWBH10 |
| DECIMALS: | ANGLES: | DWN | | |
| .X:±0.25 | X':.±2' | CHKD | | |
| .XX:±0.15 | .X':±1' | APVD | | |
| .XXX:±0.10 | | SCALE1:1 | UNIT:MM | |
| | | CUSTOMER COPY | SIZE:A4 | |
| | | | SHEET:1F1 | |
| | | | REV:A | |



- NOTES:
1. ALL DIMENSION MEET EIA-481-3 REQUIREMENTS;
 2. CARRIER MATERIAL: PS, BLACK;
 3. PACKING QULITY: 5000PCS/REEL;



PACKING DISCRPTION:

| | | | |
|------------|-------------|-------|------|
| PIN No. | | 57~67 | 71 |
| REEL WIDTH | | 32.4 | 44.4 |
| PCS/REEL | | 5000 | 5000 |
| REEL/BOX | | 7 | 6 |
| BOX/PCS | | 35K | 30K |
| CTN. SIZE | 350*350*300 | | |

| PIN NO. | DIM W | DIM F | DIM So |
|---------|-------|------------|--------|
| 57~67 | 32.0 | 14.20±0.10 | 28.4 |
| 71 | 44.0 | 20.20±0.15 | 40.4 |

| | | | | |
|---------------------------------------|-----------|----------|---|-------|
| MANUFACTURE DWG | | | 东莞市讯普电子科技有限公司 DongGuan XunPu Electronics Co.,Ltd | |
| UNLESS OTHERWISE SPECIFIED TOLERANCES | | | TITLE:FPC 0.3Pitch 1.0H ZIF R/A Connector | |
| DECIMALS: | ANGLES: | PAR | FPC-0.3FX-NPWBH10 | |
| .X:±0.30 | .X':±5° | DWN | | |
| .XX:±0.20 | .XX':±2° | CHKD | | |
| .XXX:±0.05 | .XXX':±1° | APVD | | |
| CUSTOMER COPY | | SCALE1:1 | UNIT:MM | ⊕ ◀ |
| | | SIZE:A4 | SHEET:1F1 | REV:A |

X-ON Electronics

Largest Supplier of Electrical and Electronic Components

Click to view similar products for [FFC & FPC Connectors](#) category:

Click to view products by [XUNPU](#) manufacturer:

Other Similar products are found below :

[00-6200-227-022-800](#) [006205250500825+](#) [006205280500825+](#) [FPH-1602G](#) [086222026001800](#) [52610-0675](#) [62674-201121DLF](#) [52746-1671-TR250](#) [10051922-1610EHLF](#) [10051922-2810EHLF](#) [686322124422](#) [XF3M-2915-1B-R100](#) [AYF353125A](#) [AYF530665TA](#) [AYF534065TA](#) [20FLH-RSM1-TB](#) [207356-1](#) [SFW12R-5STE9LF](#) [SFW18R-1STAE9LF](#) [SFW4R-5STE9LF](#) [52807-0430](#) [046283021002868+](#) [FFC05011-10SBB114W5M](#) [502250-8027](#) [67000-008LF](#) [200528-0260](#) [FH28K-10S-0.5SH](#) [FH52K-6S-0.5SH](#) [0.5K-DX-30PWB](#) [DS1020-08-10VBT12](#) [THD0515-34CL-GF](#) [X05A10L28G](#) [ECC2841061EU](#) [1.0K-DHQX-16PWB](#) [1.0K-DHQX-30PWB](#) [1775333-6](#) [10054365-202110ELF](#) [10054365-242110ELF](#) [10054365-282110ELF](#) [10064555-392220HLF](#) [59453-041110EBHLF](#) [59453-091110EDHLF](#) [62674-241141ALF](#) [62684-432100ALF](#) [62684-451100AHLF](#) [62684-5721N0ALF](#) [HFW11R-1STE1MTLF](#) [HFW12R-1STE9LF](#) [HFW14R-1STE9MTLF](#) [HFW18S-2STE9LF](#)