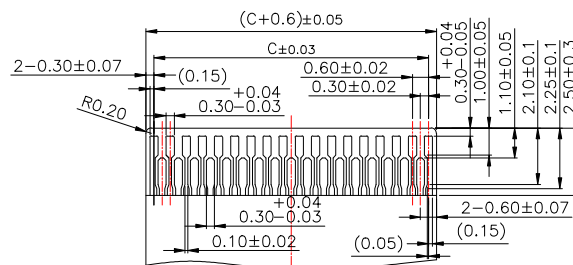
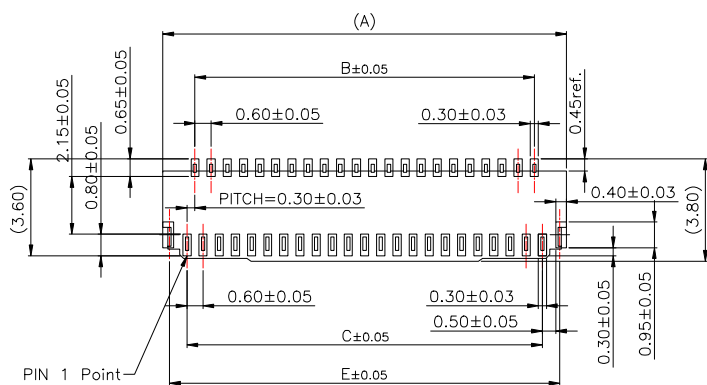
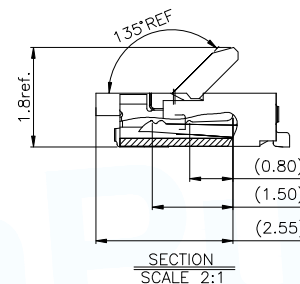
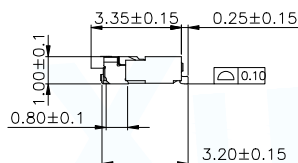
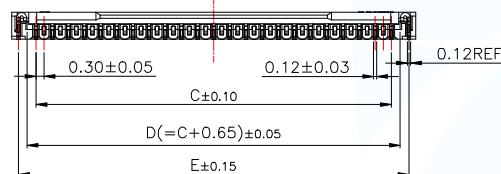


Part No	Pin	A	B	C	D	E
FPC-0.3FX-57PWBH10	57	18.60	16.20	16.80	17.45	18.10
FPC-0.3FX-61PWBH10	61	19.80	17.40	18.00	18.65	19.30
FPC-0.3FX-67PWBH10	67	21.60	19.20	19.80	20.45	21.10
FPC-0.3FX-71PWBH10	71	22.80	20.40	21.00	21.65	22.30



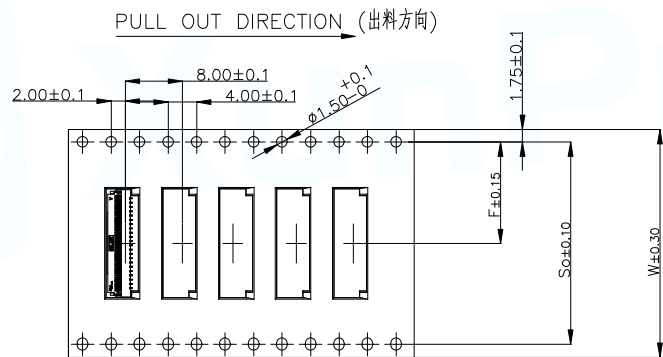
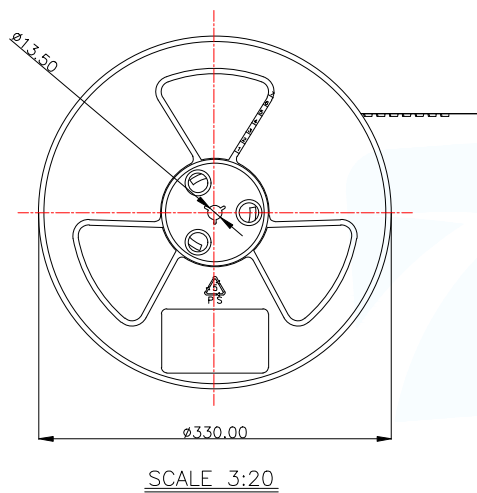
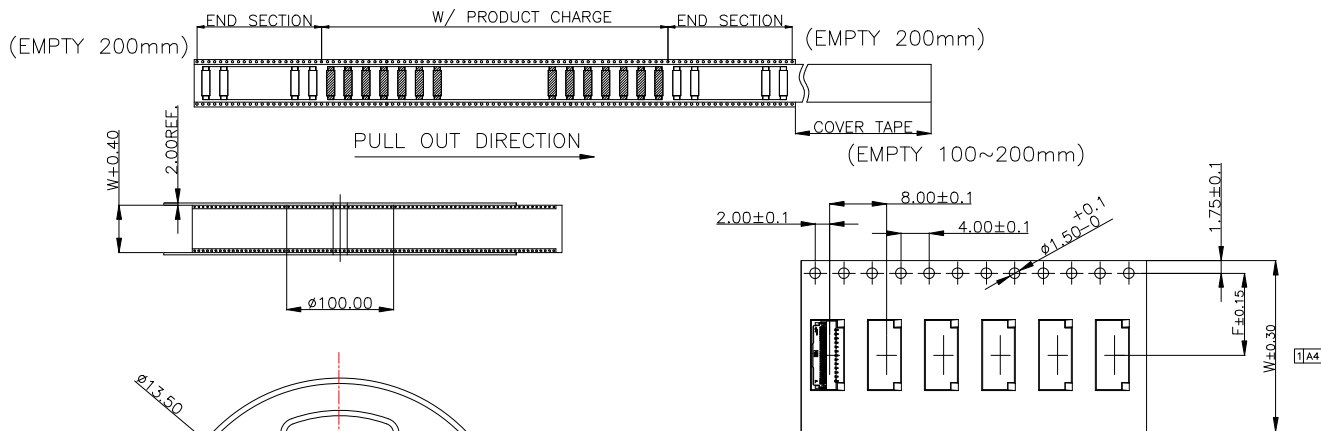
NOTES:

- MATERIAL:
HOUSING: HIGH-TEMP PLASTIC,UL 94V-0,COLOR:BLACK;
COVER: HIGH-TEMP PLASTIC,UL 94V-0,COLOR:BLACK;
TERMINAL: COPPER ALLOY;
PEG: COPPER ALLOY;
- PLATING:
2.1 TERMINAL CONTACT&SOLDER AREA:
60u" MIN. NICKEL UNDERPLATING OVERALL.
G:GOLD(1u" Min) FLASH PLATED SELECTIVELY.
T:3u" GOLD ON CONTACT AND SOLDER TAIL AREA PLATED SELECTIVELY.
2.2 PEG: 100u"~200u" MATT TIN PLATED ON NICKEL.
60u"~160u" NICKEL OVERALL.
- RATING:
CURRENT RATING: 0.3A AC/DC
VOLTAGE RATING: 30V AC/DC
TEMPERATURE RANGE: -55°C~+85°C;

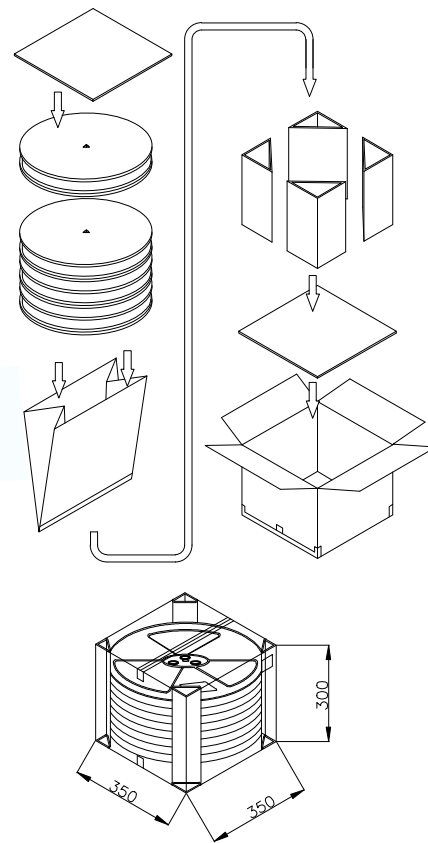
↑
FFC/FPC INSERT DIRECTION
RECOMMEND PCB LAYOUT

APPLICABLE FFC/FPC
FFC/FPC THICKNESS=0.20±0.03

MANUFACTURE DWG		 东莞市讯普电子科技有限公司 DongGuan XunPu Electronics Co.,Ltd	TITLE:FPC 0.3Pitch 1.0H ZIF R/A Connector	
UNLESS OTHERWISE SPECIFIED TOLERANCES			PAR	FPC-0.3FX-NPWBH10
DECIMALS:	ANGLES:	DWN		
.X:±0.25	X':.±2'	CHKD		
.XX:±0.15	.X':±1'	APVD		
.XXX:±0.10		SCALE1:1	UNIT:MM	
		CUSTOMER COPY	SIZE:A4	
			SHEET:1F1	
			REV:A	



- NOTES:
1. ALL DIMENSION MEET EIA-481-3 REQUIREMENTS;
 2. CARRIER MATERIAL: PS, BLACK;
 3. PACKING QULITY: 5000PCS/REEL;



PACKING DISCRPTION:

PIN No.			57~67	71
REEL WIDTH			32.4	44.4
PCS/REEL			5000	5000
REEL/BOX			7	6
BOX/PCS			35K	30K
CTN. SIZE	350*350*300			

PIN NO.	DIM W	DIM F	DIM So
57~67	32.0	14.20±0.10	28.4
71	44.0	20.20±0.15	40.4

MANUFACTURE DWG			 东莞市讯普电子科技有限公司 DongGuan XunPu Electronics Co.,Ltd	
UNLESS OTHERWISE SPECIFIED TOLERANCES			TITLE:FPC 0.3Pitch 1.0H ZIF R/A Connector	
DECIMALS:	ANGLES:	PAR	FPC-0.3FX-NPWBH10	
.X:±0.30	.X':±5°	DWN		
.XX:±0.20	.XX':±2°	CHKD		
.XXX:±0.05	.XXX':±1°	APVD		
CUSTOMER COPY		SCALE1:1	UNIT:MM	
		SIZE:A4	SHEET:1F1	REV:A

X-ON Electronics

Largest Supplier of Electrical and Electronic Components

Click to view similar products for [FFC & FPC Connectors](#) category:

Click to view products by [XUNPU](#) manufacturer:

Other Similar products are found below :

[00-6200-227-022-800](#) [006205250500825+](#) [006205280500825+](#) [FPH-1602G](#) [086222026001800](#) [52610-0675](#) [62674-201121DLF](#) [52746-1671-TR250](#) [10051922-1610EHLF](#) [10051922-2810EHLF](#) [686322124422](#) [XF3M-2915-1B-R100](#) [AYF353125A](#) [AYF530665TA](#) [AYF534065TA](#) [20FLH-RSM1-TB](#) [207356-1](#) [SFW12R-5STE9LF](#) [SFW18R-1STAE9LF](#) [SFW4R-5STE9LF](#) [52807-0430](#) [046283021002868+](#) [FFC05011-10SBB114W5M](#) [502250-8027](#) [67000-008LF](#) [200528-0260](#) [FH28K-10S-0.5SH](#) [FH52K-6S-0.5SH](#) [0.5K-DX-30PWB](#) [DS1020-08-10VBT12](#) [THD0515-34CL-GF](#) [X05A10L28G](#) [ECC2841061EU](#) [1.0K-DHQX-16PWB](#) [1.0K-DHQX-30PWB](#) [1775333-6](#) [10054365-202110ELF](#) [10054365-242110ELF](#) [10054365-282110ELF](#) [10064555-392220HLF](#) [59453-041110EBHLF](#) [59453-091110EDHLF](#) [62674-241141ALF](#) [62684-432100ALF](#) [62684-451100AHLF](#) [62684-5721N0ALF](#) [HFW11R-1STE1MTLF](#) [HFW12R-1STE9LF](#) [HFW14R-1STE9MTLF](#) [HFW18S-2STE9LF](#)