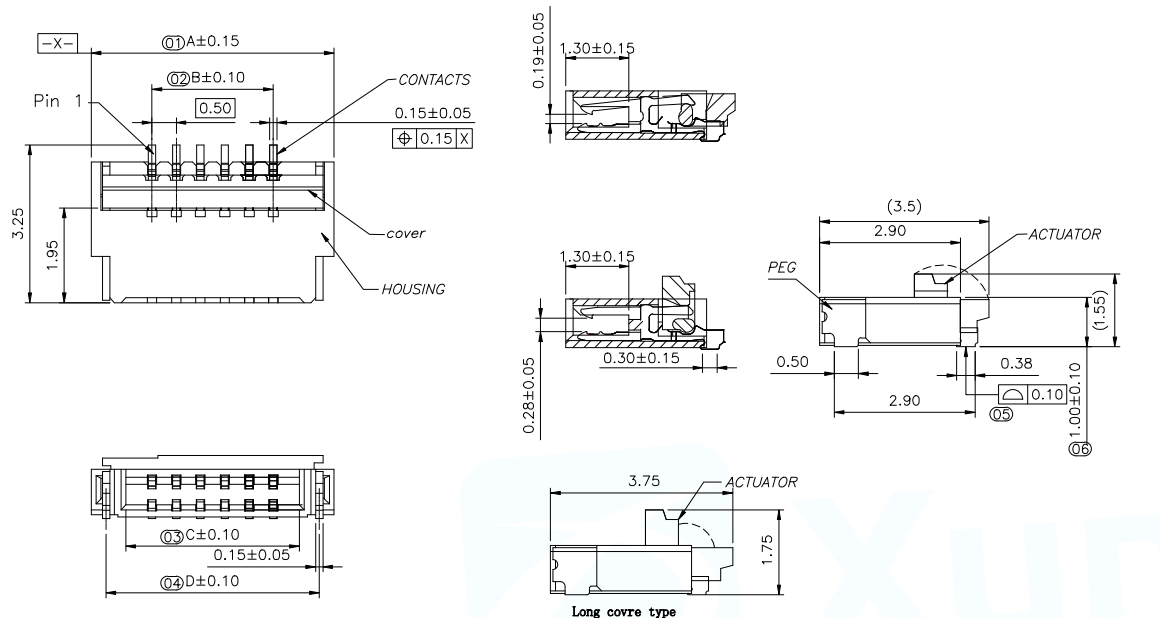


| | | | |
|------|--------------|------|------|
| 12 | 13 | 14 | 15 |
| MAPX | MODIFICATION | DATE | DRAW |
| | | | |

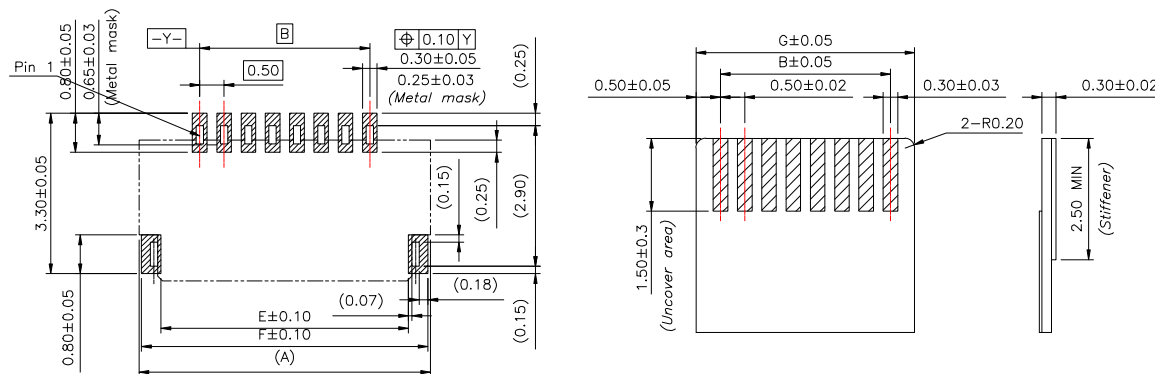


| Part No | Pin | A | B | C | D | E | F | G |
|--------------------|-----|-------|-------|-------|-------|-------|-------|-------|
| FPC-0.5HF-4PWBH10 | 4 | 4.00 | 1.50 | 2.57 | 3.39 | 3.10 | 3.90 | 2.50 |
| FPC-0.5HF-5PWBH10 | 5 | 4.50 | 2.00 | 3.07 | 3.89 | 3.60 | 4.50 | 3.00 |
| FPC-0.5HF-6PWBH10 | 6 | 5.00 | 2.50 | 3.57 | 4.39 | 4.10 | 4.90 | 3.50 |
| FPC-0.5HF-8PWBH10 | 8 | 6.00 | 3.50 | 4.57 | 5.39 | 5.10 | 5.90 | 4.50 |
| FPC-0.5HF-10PWBH10 | 10 | 7.00 | 4.50 | 5.57 | 6.39 | 6.10 | 6.90 | 5.50 |
| FPC-0.5HF-12PWBH10 | 12 | 8.00 | 5.50 | 6.57 | 7.39 | 7.10 | 7.90 | 6.50 |
| FPC-0.5HF-14PWBH10 | 14 | 9.00 | 6.50 | 7.57 | 8.39 | 8.10 | 8.90 | 7.50 |
| FPC-0.5HF-16PWBH10 | 16 | 10.00 | 7.50 | 8.57 | 9.39 | 9.10 | 9.90 | 8.50 |
| FPC-0.5HF-18PWBH10 | 18 | 11.00 | 8.50 | 9.57 | 10.39 | 10.10 | 10.90 | 9.50 |
| FPC-0.5HF-20PWBH10 | 20 | 12.00 | 9.50 | 10.57 | 11.39 | 11.10 | 11.90 | 10.50 |
| FPC-0.5HF-22PWBH10 | 22 | 13.00 | 10.50 | 11.57 | 12.39 | 12.10 | 12.90 | 11.50 |
| FPC-0.5HF-24PWBH10 | 24 | 14.00 | 11.50 | 12.57 | 13.39 | 13.10 | 13.90 | 12.50 |
| FPC-0.5HF-26PWBH10 | 26 | 15.00 | 12.50 | 13.57 | 14.39 | 14.10 | 14.90 | 13.50 |
| FPC-0.5HF-28PWBH10 | 28 | 16.00 | 13.50 | 14.57 | 15.39 | 15.10 | 15.90 | 14.50 |
| FPC-0.5HF-30PWBH10 | 30 | 17.00 | 14.50 | 15.57 | 16.39 | 16.10 | 16.90 | 15.50 |
| FPC-0.5HF-32PWBH10 | 32 | 18.00 | 15.50 | 16.57 | 17.39 | 17.10 | 17.90 | 16.50 |
| FPC-0.5HF-34PWBH10 | 34 | 19.00 | 16.50 | 17.57 | 18.39 | 18.10 | 18.90 | 17.50 |
| FPC-0.5HF-40PWBH10 | 40 | 22.00 | 19.50 | 20.57 | 21.39 | 21.10 | 21.90 | 20.50 |

NOTE:

- MATERIAL:
HOUSING: LCP (UL94V-0), COLOR: NATURAL.
CONTACTS: COPPER ALLOY.
PEG: COPPER ALLOY.
ACTUATOR: LCP (UL94-V0). COLOR:BLACK
- RATING:
OPERATING VOLTAGE: 50Vrms AC.
CURRENT RATING: 0.5A.
OPERATING TEMPERATURE: -55°C~+85°C.
OPERATING HUMIDITY RANGE: RELATIVE HUMIDITY 90% MAX.(NO CONDENSATION)
STORAGE TEMPERATURE RANGE: -10°C~+50°C.
STORAGE HUMIDITY RANGE: RELATIVE HUMIDITY 90% MAX.(NO CONDENSATION)

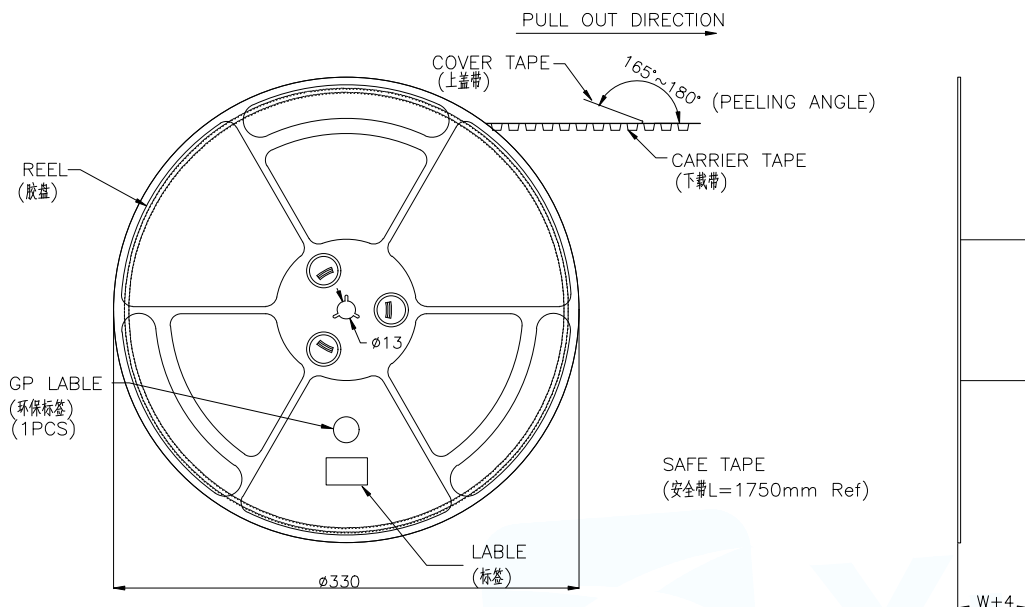
带 (XX) 为重点管控尺寸



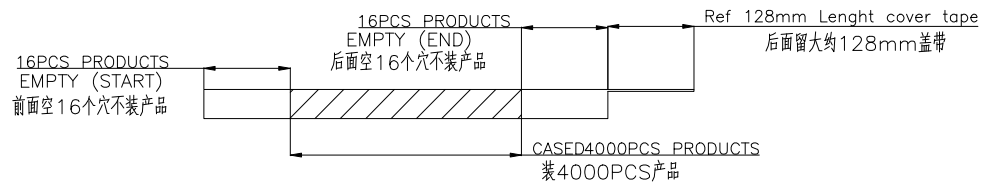
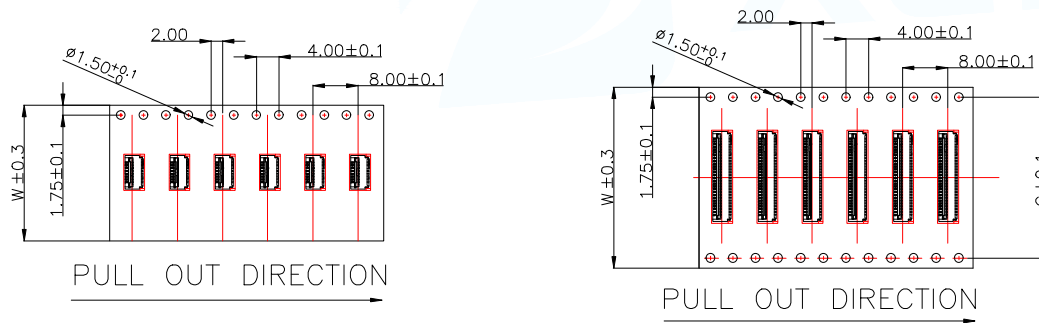
Recommended PCB mounting pattern and metal mask dimensions
Recommended metal mask thickness: t=0.1

Recommended FPC/FFC Dimensions

| | | | |
|--|--|---|-----------------------------------|
| MANUFACTURE DWG | |  东莞市讯普电子科技有限公司 DongGuan XunPu Electronics Co.,Ltd | |
| UNLESS OTHERWISE SPECIFIED TOLERANCES | |  | TITLE: 0.5Pitch 1.0H ZIF/前插后拔式 |
| DECIMALS: .X':±0.30 .XX':±0.20 .XXX':±0.05 | | | PAR FPC-0.5HF-NPWBH10 |
| ANGLES: .X':±5° .XX':±2° .XXX':±1° | | | DWN |
| CUSTOMER COPY | | | CHKD |
| | | | APVD |
| | | | SCALE1:1 UNIT:MM |
| | | | SIZE:A4 SHEET:1F1 REV:A |



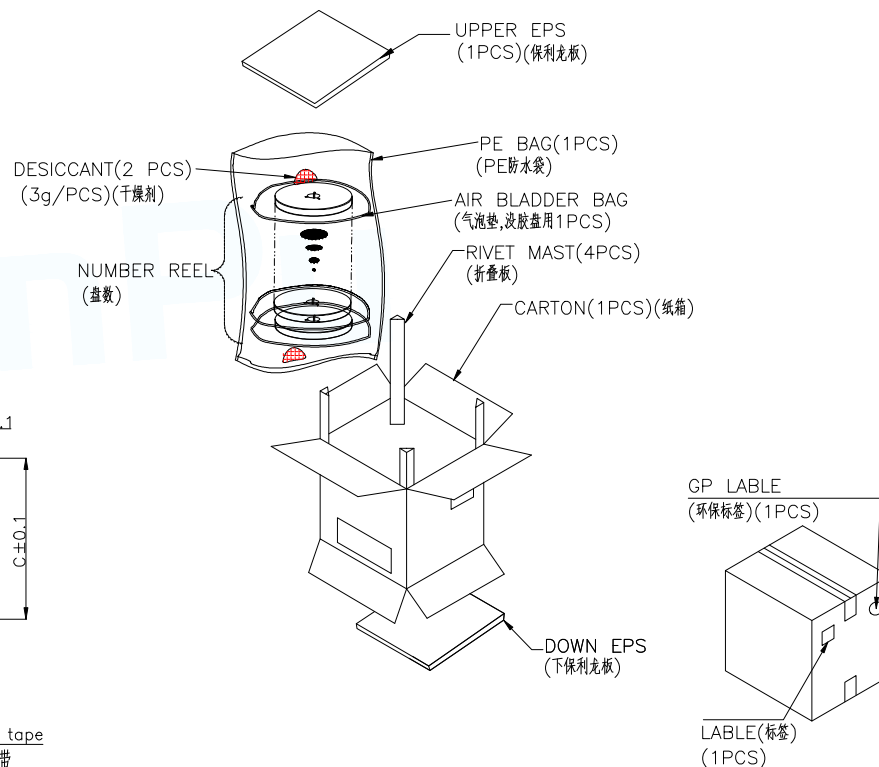
SCALE 1:4



| PIN NO. | W | C | PCS /REEL | REEL/CARTON | SUM(PCS) |
|-------------|----|------|-----------|-------------|----------|
| 04PIN~14PIN | 16 | - | 4000 | 15 | 60000 |
| 16PIN~28PIN | 24 | - | 4000 | 10 | 40000 |
| 30PIN~34PIN | 32 | 28.4 | 4000 | 8 | 32000 |
| 40Pin | 44 | 40.4 | 4000 | 6 | 24000 |

NOTE:

- 1.10 Sprocket hole pitch cumulative tolerance ± 0.20 .
2. Carrier camber is within 1mm in 100mm.
3. Material: black conductive polystyrene alloy.
4. Material Thickness: 0.3 ± 0.05 mm.
5. All dimensions meet EIA-481-B requirements.
6. 4000pcs Pef Reel.
7. For tape width(dim W)16 and 24mm pilot holes are provided on one sides. For tape width(dim W)32, 44 and 56mm pilot holes are provided on both sides.



| | | | | |
|---------------------------------------|-----------|----------|---|-------------------|
| MANUFACTURE DWG | | | 东莞市讯普电子科技有限公司 DongGuan XunPu Electronics Co.,Ltd | |
| UNLESS OTHERWISE SPECIFIED TOLERANCES | | | TITLE: 0.5Pitch 1.0H ZIF/前插后掀式 | |
| DECIMALS: | ANGLES: | | PAR | FPC-0.5HF-NPWBH10 |
| .X:±0.30 | .X':±5° | | DWN | |
| .XX:±0.20 | .XX':±2° | | CHKD | |
| .XXX:±0.05 | .XXX':±1° | | APVD | |
| CUSTOMER COPY | | SCALE1:1 | UNIT:MM | |
| | | SIZE:A4 | SHEET:1F1 | REV:A |

X-ON Electronics

Largest Supplier of Electrical and Electronic Components

Click to view similar products for [FFC & FPC Connectors](#) category:

Click to view products by [XUNPU](#) manufacturer:

Other Similar products are found below :

[00-6200-227-022-800](#) [006205250500825+](#) [006205280500825+](#) [FPH-1602G](#) [086222026001800](#) [52610-0675](#) [62674-201121DLF](#) [52746-1671-TR250](#) [10051922-1610EHLF](#) [10051922-2810EHLF](#) [686322124422](#) [XF3M-2915-1B-R100](#) [AYF353125A](#) [AYF530665TA](#) [AYF534065TA](#) [20FLH-RSM1-TB](#) [207356-1](#) [SFW12R-5STE9LF](#) [SFW18R-1STAE9LF](#) [SFW4R-5STE9LF](#) [52807-0430](#) [046283021002868+](#) [FFC05011-10SBB114W5M](#) [502250-8027](#) [67000-008LF](#) [200528-0260](#) [FH28K-10S-0.5SH](#) [FH52K-6S-0.5SH](#) [0.5K-DX-30PWB](#) [DS1020-08-10VBT12](#) [THD0515-34CL-GF](#) [X05A10L28G](#) [ECC2841061EU](#) [1.0K-DHQX-16PWB](#) [1.0K-DHQX-30PWB](#) [1775333-6](#) [10054365-202110ELF](#) [10054365-242110ELF](#) [10054365-282110ELF](#) [10064555-392220HLF](#) [59453-041110EBHLF](#) [59453-091110EDHLF](#) [62674-241141ALF](#) [62684-432100ALF](#) [62684-451100AHLF](#) [62684-5721N0ALF](#) [HFW11R-1STE1MTLF](#) [HFW12R-1STE9LF](#) [HFW14R-1STE9MTLF](#) [HFW18S-2STE9LF](#)