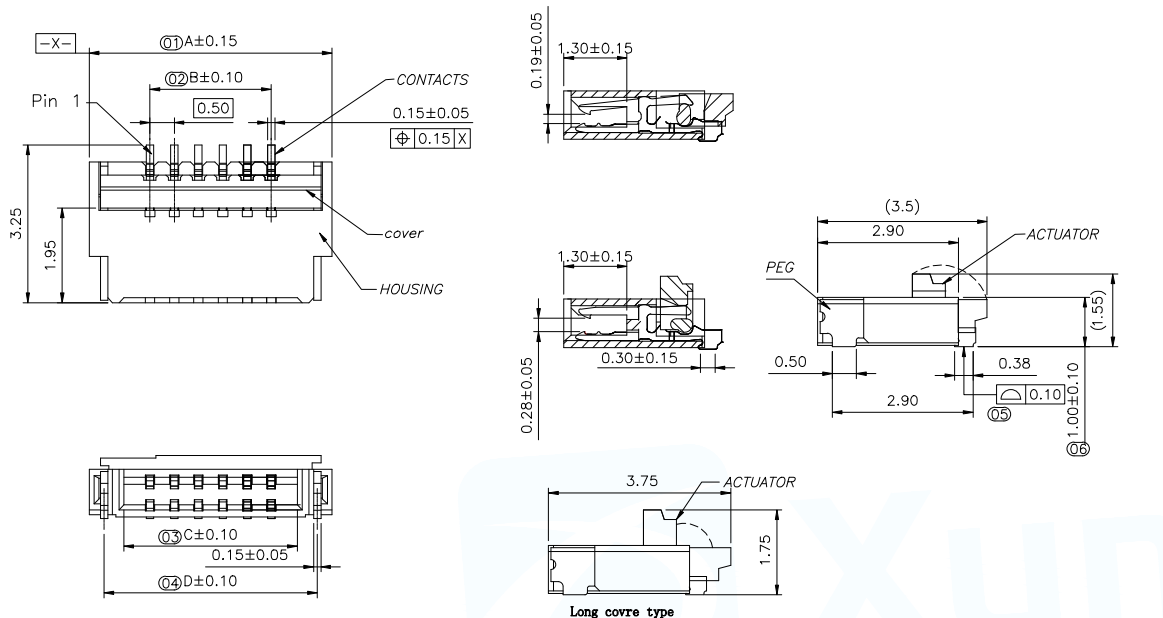


12	13	14	15
MAPX	MODIFICATION	DATE	DRAW

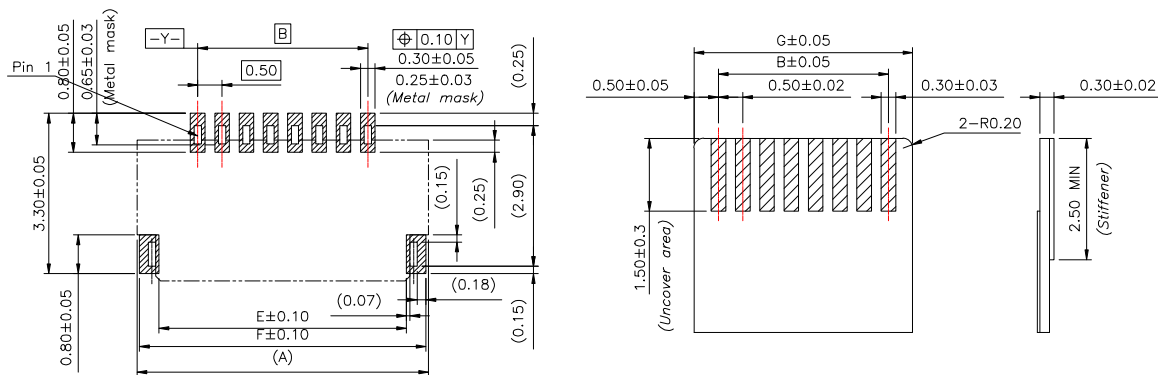


Part No	Pin	A	B	C	D	E	F	G
FPC-0.5HF-4PWBH10	4	4.00	1.50	2.57	3.39	3.10	3.90	2.50
FPC-0.5HF-5PWBH10	5	4.50	2.00	3.07	3.89	3.60	4.50	3.00
FPC-0.5HF-6PWBH10	6	5.00	2.50	3.57	4.39	4.10	4.90	3.50
FPC-0.5HF-8PWBH10	8	6.00	3.50	4.57	5.39	5.10	5.90	4.50
FPC-0.5HF-10PWBH10	10	7.00	4.50	5.57	6.39	6.10	6.90	5.50
FPC-0.5HF-12PWBH10	12	8.00	5.50	6.57	7.39	7.10	7.90	6.50
FPC-0.5HF-14PWBH10	14	9.00	6.50	7.57	8.39	8.10	8.90	7.50
FPC-0.5HF-16PWBH10	16	10.00	7.50	8.57	9.39	9.10	9.90	8.50
FPC-0.5HF-18PWBH10	18	11.00	8.50	9.57	10.39	10.10	10.90	9.50
FPC-0.5HF-20PWBH10	20	12.00	9.50	10.57	11.39	11.10	11.90	10.50
FPC-0.5HF-22PWBH10	22	13.00	10.50	11.57	12.39	12.10	12.90	11.50
FPC-0.5HF-24PWBH10	24	14.00	11.50	12.57	13.39	13.10	13.90	12.50
FPC-0.5HF-26PWBH10	26	15.00	12.50	13.57	14.39	14.10	14.90	13.50
FPC-0.5HF-28PWBH10	28	16.00	13.50	14.57	15.39	15.10	15.90	14.50
FPC-0.5HF-30PWBH10	30	17.00	14.50	15.57	16.39	16.10	16.90	15.50
FPC-0.5HF-32PWBH10	32	18.00	15.50	16.57	17.39	17.10	17.90	16.50
FPC-0.5HF-34PWBH10	34	19.00	16.50	17.57	18.39	18.10	18.90	17.50
FPC-0.5HF-40PWBH10	40	22.00	19.50	20.57	21.39	21.10	21.90	20.50

NOTE:

- MATERIAL:  
 HOUSING: LCP (UL94V-0), COLOR: NATURAL.  
 CONTACTS: COPPER ALLOY.  
 PEG: COPPER ALLOY.  
 ACTUATOR: LCP (UL94-V0). COLOR:BLACK
- RATING:  
 OPERATING VOLTAGE: 50Vrms AC.  
 CURRENT RATING: 0.5A.  
 OPERATING TEMPERATURE: -55°C~+85°C.  
 OPERATING HUMIDITY RANGE: RELATIVE HUMIDITY 90% MAX.(NO CONDENSATION)  
 STORAGE TEMPERATURE RANGE: -10°C~+50°C.  
 STORAGE HUMIDITY RANGE: RELATIVE HUMIDITY 90% MAX.(NO CONDENSATION)

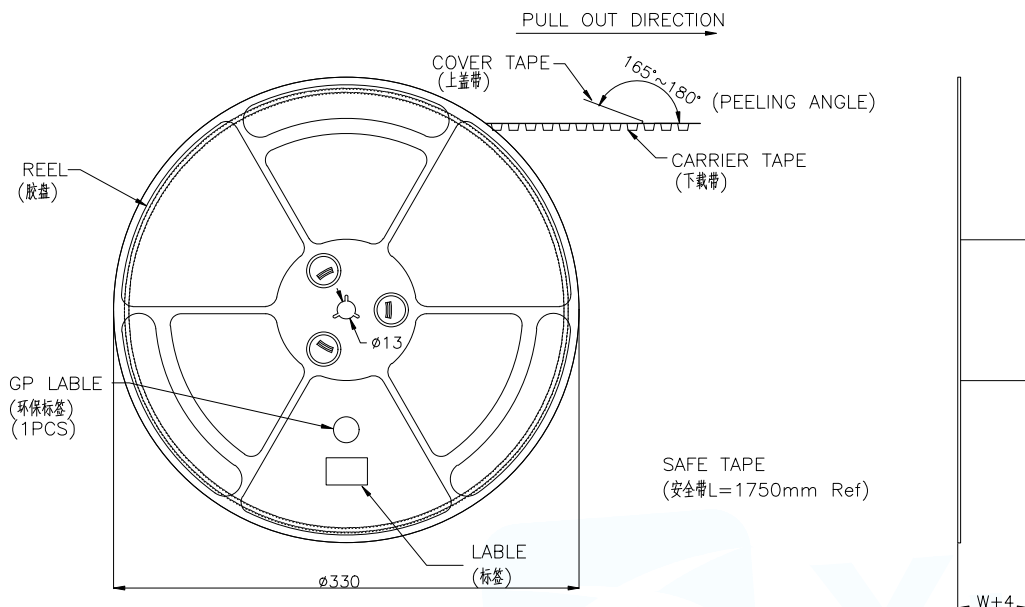
带 (XX) 为重点管控尺寸



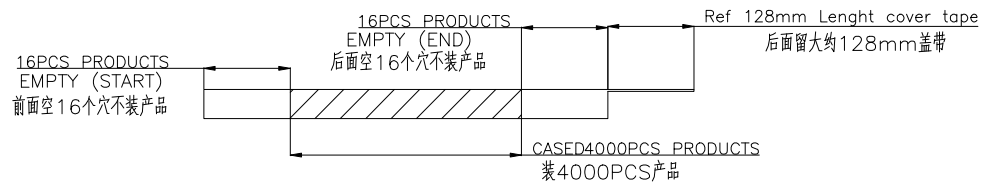
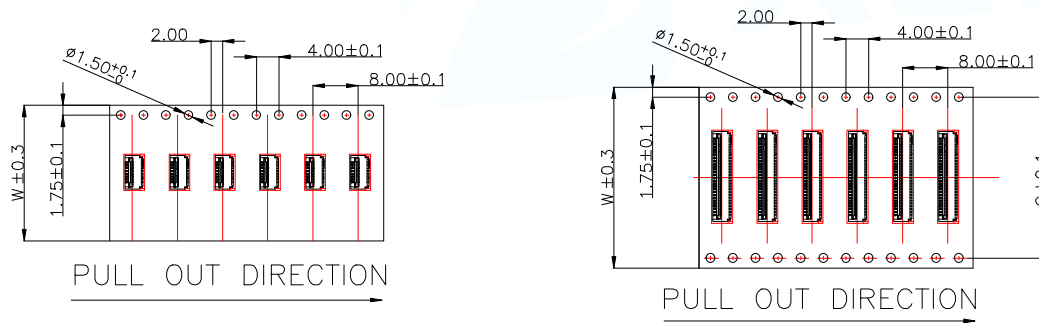
Recommended PCB mounting pattern and metal mask dimensions  
 Recommended metal mask thickness: t=0.1

Recommended FPC/FFC Dimensions

MANUFACTURE DWG		 东莞市讯普电子科技有限公司 DongGuan XunPu Electronics Co.,Ltd	
UNLESS OTHERWISE SPECIFIED TOLERANCES			TITLE: 0.5Pitch 1.0H ZIF/前插后拔式
DECIMALS: .X:±0.30 .XX:±0.20 .XXX:±0.05			PAR: FPC-0.5HF-NPWBH10
ANGLES: .X':±5° .XX':±2° .XXX':±1°			DWN: <input type="checkbox"/>
CUSTOMER COPY			CHKD: <input type="checkbox"/>
			APVD: <input type="checkbox"/>
			SCALE1:1 UNIT:MM
			SIZE:A4 SHEET:1F1 REV:A



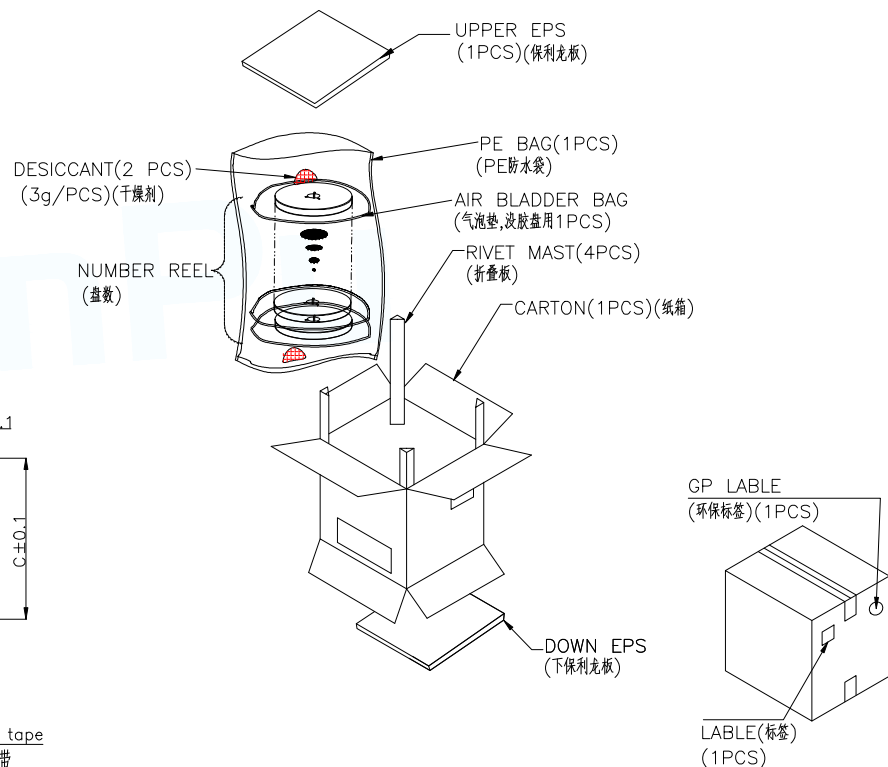
SCALE 1:4



PIN NO.	W	C	PCS /REEL	REEL/CARTON	SUM(PCS)
04PIN~14PIN	16	-	4000	15	60000
16PIN~28PIN	24	-	4000	10	40000
30PIN~34PIN	32	28.4	4000	8	32000
40Pin	44	40.4	4000	6	24000

NOTE:

- 1.10 Sprocket hole pitch cumulative tolerance  $\pm 0.20$ .
2. Carrier camber is within 1mm in 100mm.
3. Material: black conductive polystyrene alloy.
4. Material Thickness:  $0.3 \pm 0.05$ mm.
5. All dimensions meet EIA-481-B requirements.
6. 4000pcs Pef Reel.
7. For tape width(dim W)16 and 24mm pilot holes are provided on one sides. For tape width(dim W)32, 44 and 56mm pilot holes are provided on both sides.



MANUFACTURE DWG			东莞市讯普电子科技有限公司 DongGuan XunPu Electronics Co.,Ltd	
UNLESS OTHERWISE SPECIFIED TOLERANCES			TITLE: 0.5Pitch 1.0H ZIF/前插后掀式	
DECIMALS:	ANGLES:		PAR	FPC-0.5HF-NPWBH10
.X:±0.30	.X':±5°		DWN	
.XX:±0.20	.XX':±2°	CHKD		
.XXX:±0.05	.XXX':±1°	APVD		
CUSTOMER COPY		SCALE1:1	UNIT:MM	
		SIZE:A4	SHEET:1F1	REV:A

## X-ON Electronics

Largest Supplier of Electrical and Electronic Components

*Click to view similar products for [FFC & FPC Connectors](#) category:*

*Click to view products by [XUNPU](#) manufacturer:*

Other Similar products are found below :

[00-6200-227-022-800](#) [006205250500825+](#) [006205280500825+](#) [FPH-1602G](#) [086222026001800](#) [52610-0675](#) [62674-201121DLF](#) [52746-1671-TR250](#) [10051922-1610EHLF](#) [10051922-2810EHLF](#) [686322124422](#) [XF3M-2915-1B-R100](#) [AYF353125A](#) [AYF530665TA](#) [AYF534065TA](#) [20FLH-RSM1-TB](#) [207356-1](#) [SFW12R-5STE9LF](#) [SFW18R-1STAE9LF](#) [SFW4R-5STE9LF](#) [52807-0430](#) [046283021002868+](#) [FFC05011-10SBB114W5M](#) [502250-8027](#) [67000-008LF](#) [200528-0260](#) [FH28K-10S-0.5SH](#) [FH52K-6S-0.5SH](#) [0.5K-DX-30PWB](#) [DS1020-08-10VBT12](#) [THD0515-34CL-GF](#) [X05A10L28G](#) [ECC2841061EU](#) [1.0K-DHQX-16PWB](#) [1.0K-DHQX-30PWB](#) [1775333-6](#) [10054365-202110ELF](#) [10054365-242110ELF](#) [10054365-282110ELF](#) [10064555-392220HLF](#) [59453-041110EBHLF](#) [59453-091110EDHLF](#) [62674-241141ALF](#) [62684-432100ALF](#) [62684-451100AHLF](#) [62684-5721N0ALF](#) [HFW11R-1STE1MTLF](#) [HFW12R-1STE9LF](#) [HFW14R-1STE9MTLF](#) [HFW18S-2STE9LF](#)