

4	FPC 1.0mm带锁抽拉式—焊片	PhosphorBronze T=0.20MM	镀锡	2 PCS	
3	FPC 1.0mm带锁抽拉式—锁扣	LCP	黑色	1 PCS	
2	FPC 1.0mm带锁抽拉式—上接端子	PhosphorBronze T=0.25MM	镀锡/合金	N PCS	
1	FPC 1.0mm带锁抽拉式—基座	LCP	米色	1 PCS	
序号	品名	材料规格	电镀方式/颜色	使用数量	备注

Part No	Pin	A	B	C
FPC-1.0AS-4PWBH25	4	3.00	5.10	11.00
FPC-1.0AS-5PWBH25	5	4.00	6.10	12.00
FPC-1.0AS-6PWBH25	6	5.00	7.10	13.00
FPC-1.0AS-7PWBH25	7	6.00	8.10	14.00
FPC-1.0AS-8PWBH25	8	7.00	9.10	15.00
FPC-1.0AS-9PWBH25	9	8.00	10.10	16.00
FPC-1.0AS-10PWBH25	10	9.00	11.10	17.00
FPC-1.0AS-11PWBH25	11	10.00	12.10	18.00
FPC-1.0AS-12PWBH25	12	11.00	13.10	19.00
FPC-1.0AS-13PWBH25	13	12.00	14.10	20.00
FPC-1.0AS-14PWBH25	14	13.00	15.10	21.00
FPC-1.0AS-15PWBH25	15	14.00	16.10	22.00
FPC-1.0AS-16PWBH25	16	15.00	17.10	23.00
FPC-1.0AS-17PWBH25	17	16.00	18.10	24.00
FPC-1.0AS-18PWBH25	18	17.00	19.10	25.00
FPC-1.0AS-19PWBH25	19	18.00	20.10	26.00
FPC-1.0AS-20PWBH25	20	19.00	21.10	27.00
FPC-1.0AS-21PWBH25	21	20.00	22.10	28.00
FPC-1.0AS-22PWBH25	22	21.00	23.10	29.00
FPC-1.0AS-23PWBH25	23	22.00	24.10	30.00
FPC-1.0AS-24PWBH25	24	23.00	25.10	31.00
FPC-1.0AS-25PWBH25	25	24.00	26.10	32.00
FPC-1.0AS-26PWBH25	26	25.00	27.10	33.00
FPC-1.0AS-27PWBH25	27	26.00	28.10	34.00
FPC-1.0AS-28PWBH25	28	27.00	29.10	35.00
FPC-1.0AS-29PWBH25	29	28.00	30.10	36.00
FPC-1.0AS-30PWBH25	30	29.00	31.10	37.00
FPC-1.0AS-31PWBH25	31	30.00	32.10	38.00
FPC-1.0AS-32PWBH25	32	31.00	33.10	39.00
FPC-1.0AS-33PWBH25	33	32.00	34.10	40.00
FPC-1.0AS-34PWBH25	34	33.00	35.10	41.00
FPC-1.0AS-35PWBH25	35	34.00	36.10	42.00
FPC-1.0AS-36PWBH25	36	35.00	37.10	43.00
FPC-1.0AS-37PWBH25	37	36.00	38.10	44.00
FPC-1.0AS-38PWBH25	38	37.00	39.10	45.00
FPC-1.0AS-39PWBH25	39	38.00	40.10	46.00
FPC-1.0AS-40PWBH25	40	39.00	41.10	47.00

NOTES:

额定电流 Current rating: 0.5A

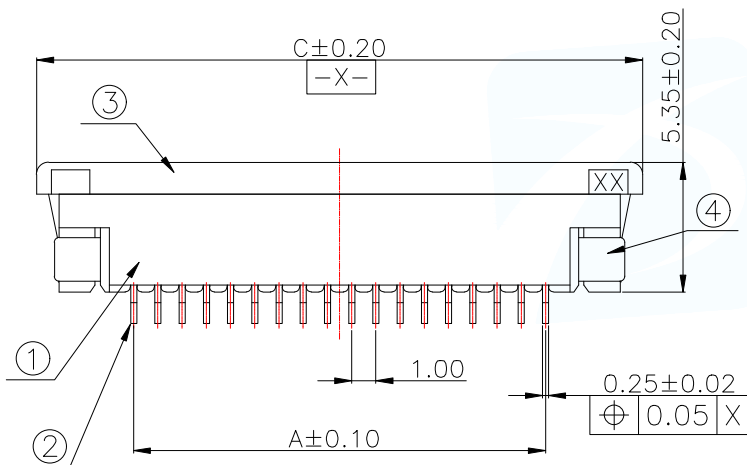
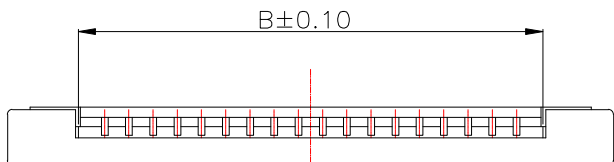
额定电压 Voltage rating: 50V

耐电压 Withstand voltage: 500V AC/minute

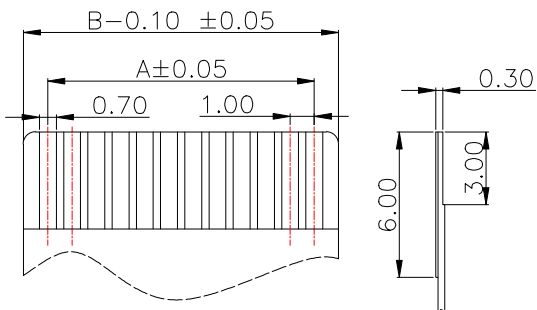
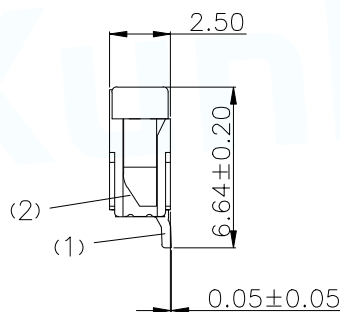
接触电阻 Contact resistance :≤40mΩ

绝缘电阻 Insulation resistance: 100MΩ MIN

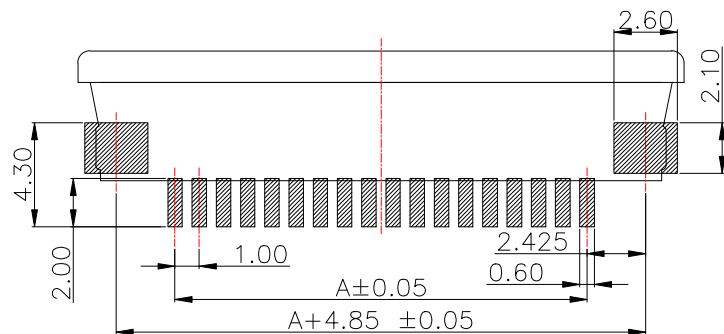
工作温度 Working temperature: -25℃ ~ +85℃



上接:(1)/(2)位置区反向



通用FFC寸法
Applicable FFC



PCB 寸法
PCB Layout

MANUFACTURE DWG			东莞市讯普电子科技有限公司 DongGuan XunPu Electronics Co.,Ltd	
UNLESS OTHERWISE SPECIFIED TOLERANCES			TITLE: FPC 1.0mm间距抽拉式上接贴板	
DECIMALS:	ANGLES:		PAR	FPC-1.0AS-NPWBH25
.X:±0.38	.X':±5°		DWN	
.XX:±0.20	.XX':±3°	CHKD		
.XXX:±0.05	.XXX':±1°	APVD		
CUSTOMER COPY		SCALE1:1	UNIT:MM	
		SIZE:A4	SHEET:1F1	REV:A

X-ON Electronics

Largest Supplier of Electrical and Electronic Components

Click to view similar products for [FFC & FPC Connectors](#) category:

Click to view products by [XUNPU](#) manufacturer:

Other Similar products are found below :

[00-6200-227-022-800](#) [006205250500825+](#) [006205280500825+](#) [FPH-1602G](#) [086222026001800](#) [52610-0675](#) [62674-201121DLF](#) [52746-1671-TR250](#) [10051922-1610EHLF](#) [10051922-2810EHLF](#) [686322124422](#) [XF3M-2915-1B-R100](#) [AYF353125A](#) [AYF530665TA](#) [AYF534065TA](#) [20FLH-RSM1-TB](#) [207356-1](#) [SFW12R-5STE9LF](#) [SFW18R-1STAE9LF](#) [SFW4R-5STE9LF](#) [52807-0430](#) [046283021002868+](#) [FFC05011-10SBB114W5M](#) [502250-8027](#) [67000-008LF](#) [200528-0260](#) [FH28K-10S-0.5SH](#) [FH52K-6S-0.5SH](#) [0.5K-DX-30PWB](#) [DS1020-08-10VBT12](#) [THD0515-34CL-GF](#) [X05A10L28G](#) [ECC2841061EU](#) [1.0K-DHQX-16PWB](#) [1.0K-DHQX-30PWB](#) [1775333-6](#) [10054365-202110ELF](#) [10054365-242110ELF](#) [10054365-282110ELF](#) [10064555-392220HLF](#) [59453-041110EBHLF](#) [59453-091110EDHLF](#) [62674-241141ALF](#) [62684-432100ALF](#) [62684-451100AHLF](#) [62684-5721N0ALF](#) [HFW11R-1STE1MTLF](#) [HFW12R-1STE9LF](#) [HFW14R-1STE9MTLF](#) [HFW18S-2STE9LF](#)