

| | | | | | |
|----|---------------------|-------------------------|---------|-------|----|
| 4 | FPC 1.0mm带锁抽拉式—焊片 | PhosphorBronze T=0.20MM | 镀锡 | 2 PCS | |
| 3 | FPC 1.0mm带锁抽拉式—锁扣 | LCP | 黑色 | 1 PCS | |
| 2 | FPC 1.0mm带锁抽拉式—上接端子 | PhosphorBronze T=0.25MM | 镀锡/合金 | N PCS | |
| 1 | FPC 1.0mm带锁抽拉式—基座 | LCP | 米色 | 1 PCS | |
| 序号 | 品名 | 材料规格 | 电镀方式/颜色 | 使用数量 | 备注 |

NOTES:

额定电流 Current rating: 0.5A

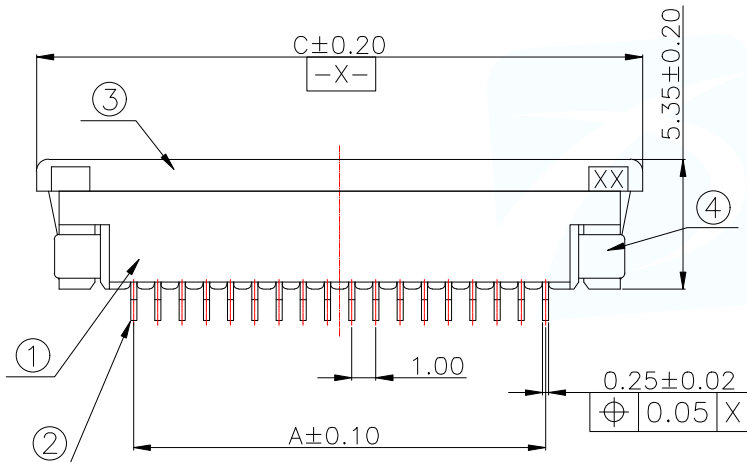
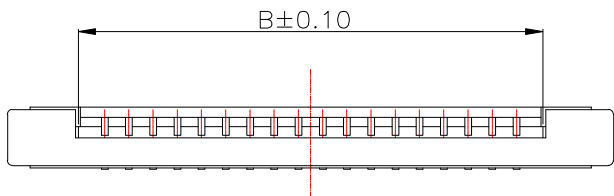
额定电压 Voltage rating: 50V

耐电压 Withstand voltage: 500V AC/minute

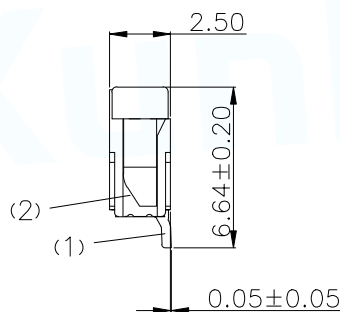
接触电阻 Contact resistance : $\leq 40m\Omega$

绝缘电阻 Insulation resistance: 100M Ω MIN

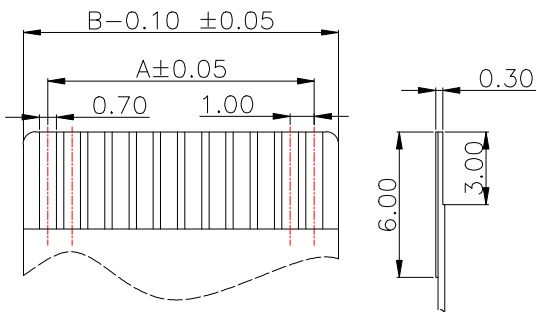
工作温度 Working temperature: $-25^{\circ}C \sim +85^{\circ}C$



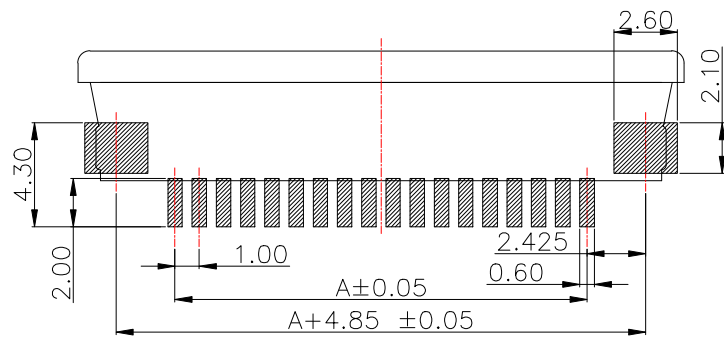
上接:(1)/(2)位置区反向



| Part No | Pin | A | B | C |
|--------------------|-----|-------|-------|-------|
| FPC-1.0AS-4PWBH25 | 4 | 3.00 | 5.10 | 11.00 |
| FPC-1.0AS-5PWBH25 | 5 | 4.00 | 6.10 | 12.00 |
| FPC-1.0AS-6PWBH25 | 6 | 5.00 | 7.10 | 13.00 |
| FPC-1.0AS-7PWBH25 | 7 | 6.00 | 8.10 | 14.00 |
| FPC-1.0AS-8PWBH25 | 8 | 7.00 | 9.10 | 15.00 |
| FPC-1.0AS-9PWBH25 | 9 | 8.00 | 10.10 | 16.00 |
| FPC-1.0AS-10PWBH25 | 10 | 9.00 | 11.10 | 17.00 |
| FPC-1.0AS-11PWBH25 | 11 | 10.00 | 12.10 | 18.00 |
| FPC-1.0AS-12PWBH25 | 12 | 11.00 | 13.10 | 19.00 |
| FPC-1.0AS-13PWBH25 | 13 | 12.00 | 14.10 | 20.00 |
| FPC-1.0AS-14PWBH25 | 14 | 13.00 | 15.10 | 21.00 |
| FPC-1.0AS-15PWBH25 | 15 | 14.00 | 16.10 | 22.00 |
| FPC-1.0AS-16PWBH25 | 16 | 15.00 | 17.10 | 23.00 |
| FPC-1.0AS-17PWBH25 | 17 | 16.00 | 18.10 | 24.00 |
| FPC-1.0AS-18PWBH25 | 18 | 17.00 | 19.10 | 25.00 |
| FPC-1.0AS-19PWBH25 | 19 | 18.00 | 20.10 | 26.00 |
| FPC-1.0AS-20PWBH25 | 20 | 19.00 | 21.10 | 27.00 |
| FPC-1.0AS-21PWBH25 | 21 | 20.00 | 22.10 | 28.00 |
| FPC-1.0AS-22PWBH25 | 22 | 21.00 | 23.10 | 29.00 |
| FPC-1.0AS-23PWBH25 | 23 | 22.00 | 24.10 | 30.00 |
| FPC-1.0AS-24PWBH25 | 24 | 23.00 | 25.10 | 31.00 |
| FPC-1.0AS-25PWBH25 | 25 | 24.00 | 26.10 | 32.00 |
| FPC-1.0AS-26PWBH25 | 26 | 25.00 | 27.10 | 33.00 |
| FPC-1.0AS-27PWBH25 | 27 | 26.00 | 28.10 | 34.00 |
| FPC-1.0AS-28PWBH25 | 28 | 27.00 | 29.10 | 35.00 |
| FPC-1.0AS-29PWBH25 | 29 | 28.00 | 30.10 | 36.00 |
| FPC-1.0AS-30PWBH25 | 30 | 29.00 | 31.10 | 37.00 |
| FPC-1.0AS-31PWBH25 | 31 | 30.00 | 32.10 | 38.00 |
| FPC-1.0AS-32PWBH25 | 32 | 31.00 | 33.10 | 39.00 |
| FPC-1.0AS-33PWBH25 | 33 | 32.00 | 34.10 | 40.00 |
| FPC-1.0AS-34PWBH25 | 34 | 33.00 | 35.10 | 41.00 |
| FPC-1.0AS-35PWBH25 | 35 | 34.00 | 36.10 | 42.00 |
| FPC-1.0AS-36PWBH25 | 36 | 35.00 | 37.10 | 43.00 |
| FPC-1.0AS-37PWBH25 | 37 | 36.00 | 38.10 | 44.00 |
| FPC-1.0AS-38PWBH25 | 38 | 37.00 | 39.10 | 45.00 |
| FPC-1.0AS-39PWBH25 | 39 | 38.00 | 40.10 | 46.00 |
| FPC-1.0AS-40PWBH25 | 40 | 39.00 | 41.10 | 47.00 |



通用FFC寸法
Applicable FFC



PCB 寸法
PCB Layout

| | | | | |
|---------------------------------------|-----------|----------|---|-------------------|
| MANUFACTURE DWG | | | 东莞市讯普电子科技有限公司 DongGuan XunPu Electronics Co.,Ltd | |
| UNLESS OTHERWISE SPECIFIED TOLERANCES | | | TITLE: FPC 1.0mm间距抽拉式上接贴板 | |
| DECIMALS: | ANGLES: | | PAR | FPC-1.0AS-NPWBH25 |
| .X:±0.38 | .X':±5° | | DWN | |
| .XX:±0.20 | .XX':±3° | CHKD | | |
| .XXX:±0.05 | .XXX':±1° | APVD | | |
| CUSTOMER COPY | | SCALE1:1 | UNIT:MM | |
| | | SIZE:A4 | SHEET:1F1 | REV:A |

X-ON Electronics

Largest Supplier of Electrical and Electronic Components

Click to view similar products for [FFC & FPC Connectors](#) category:

Click to view products by [XUNPU](#) manufacturer:

Other Similar products are found below :

[00-6200-227-022-800](#) [006205250500825+](#) [006205280500825+](#) [FPH-1602G](#) [086222026001800](#) [52610-0675](#) [62674-201121DLF](#) [52746-1671-TR250](#) [10051922-1610EHLF](#) [10051922-2810EHLF](#) [686322124422](#) [XF3M-2915-1B-R100](#) [AYF353125A](#) [AYF530665TA](#) [AYF534065TA](#) [20FLH-RSM1-TB](#) [207356-1](#) [SFW12R-5STE9LF](#) [SFW18R-1STAE9LF](#) [SFW4R-5STE9LF](#) [52807-0430](#) [046283021002868+](#) [FFC05011-10SBB114W5M](#) [502250-8027](#) [67000-008LF](#) [200528-0260](#) [FH28K-10S-0.5SH](#) [FH52K-6S-0.5SH](#) [0.5K-DX-30PWB](#) [DS1020-08-10VBT12](#) [THD0515-34CL-GF](#) [X05A10L28G](#) [ECC2841061EU](#) [1.0K-DHQX-16PWB](#) [1.0K-DHQX-30PWB](#) [1775333-6](#) [10054365-202110ELF](#) [10054365-242110ELF](#) [10054365-282110ELF](#) [10064555-392220HLF](#) [59453-041110EBHLF](#) [59453-091110EDHLF](#) [62674-241141ALF](#) [62684-432100ALF](#) [62684-451100AHLF](#) [62684-5721N0ALF](#) [HFW11R-1STE1MTLF](#) [HFW12R-1STE9LF](#) [HFW14R-1STE9MTLF](#) [HFW18S-2STE9LF](#)