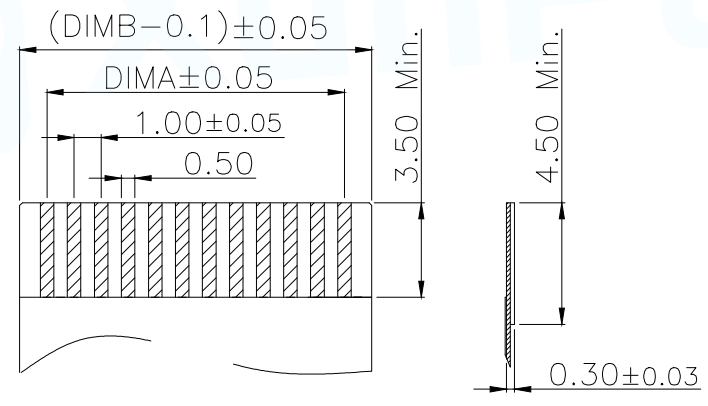
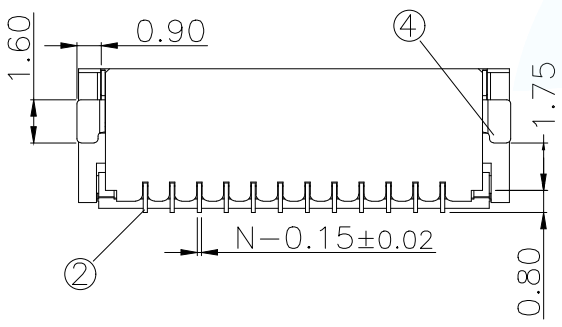
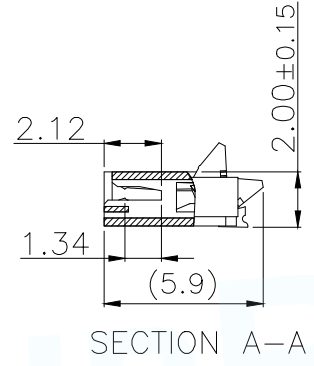
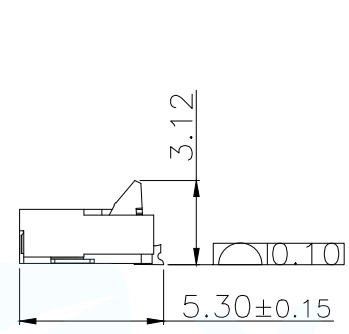
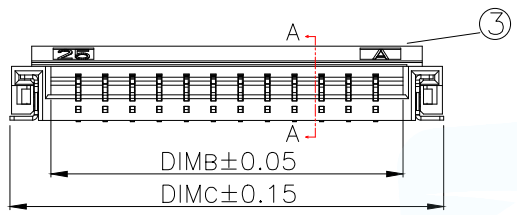
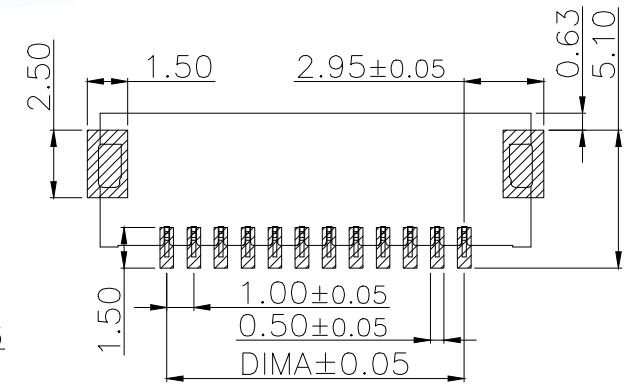


| Part No              | Pin  | A          | B               | C               |
|----------------------|------|------------|-----------------|-----------------|
| FPC-1.0HF-4PWAR-H20  | 4    | 3.00       | 5.02            | 8.04            |
| FPC-1.0HF-5PWAR-H20  | 5    | 4.00       | 6.02            | 9.04            |
| FPC-1.0HF-6PWAR-H20  | 6    | 5.00       | 7.02            | 10.04           |
| FPC-1.0HF-7PWAR-H20  | 7    | 6.00       | 8.02            | 11.04           |
| FPC-1.0HF-8PWAR-H20  | 8    | 7.00       | 9.02            | 12.04           |
| FPC-1.0HF-9PWAR-H20  | 9    | 8.00       | 10.02           | 13.04           |
| FPC-1.0HF-10PWAR-H20 | 10   | 9.00       | 11.02           | 14.04           |
| FPC-1.0HF-11PWAR-H20 | 11   | 10.00      | 12.02           | 15.04           |
| FPC-1.0HF-12PWAR-H20 | 12   | 11.00      | 13.02           | 16.04           |
| .....                | .... | ...        | .....           | .....           |
| FPC-1.0HF-30PWAR-H20 | 30   | (30-1)*1.0 | (30+1)*1.0+0.02 | (30+4)*1.0+0.04 |



适用扁平线(Applicable Flat Cable)



适用线路板(PCB LAYOUT)

| 序号 | 品名             | 材质             |
|----|----------------|----------------|
| 1  | 1.0后翻胶芯(H=2.0) | LCP UL94V-0 本色 |
| 2  | 1.0后翻端子(H=2.0) | 铜合金/表面镀锡       |
| 3  | 1.0后翻后盖(H2.0)  | LCP UL94V-0 黑色 |
| 4  | 1.0后翻焊片(H2.0)  | 铜合金/表面镀锡       |

技术指标:

1. 塑件表面应光洁、无毛边、无明显收缩、缺陷、裂纹等现象。
2. 温度范围: -25°C~+85°C.
3. 额定电压: 50V, AC/DC.
4. 接触电阻: ≤0.03Ω.
5. 绝缘电阻: ≥500MΩ

|  |   |  |                                  |
|--|---|--|----------------------------------|
| MANUFACTURE DWG                                  |   | 东莞市讯普电子科技有限公司<br>DongGuan XunPu Electronics Co., Ltd |                                  |
| UNLESS OTHERWISE SPECIFIED TOLERANCES            |   |  | TITLE:<br>1.0 Pitch 后翻胶式 (H=2.0) |
|  |   |  | PAR<br>FPC-1.0HF-NPWAR-H20       |
|  |   |  | DWN                              |
|  |   |  | CHKD                             |
|  |   |  | APVD                             |
| DECIMALS:<br>.X:±0.30<br>.XX:±0.20<br>.XXX:±0.05 | ANGLES:<br>.X':±5'<br>.XX':±2'<br>.XXX':±1' | CUSTOMER COPY  | SCALE:1:1<br>UNIT:MM<br>SIZE:A4  |
|  |   | SHEET:1F1  | REV:A                            |

## X-ON Electronics

Largest Supplier of Electrical and Electronic Components

*Click to view similar products for [FFC & FPC Connectors](#) category:*

*Click to view products by [XUNPU](#) manufacturer:*

Other Similar products are found below :

[00-6200-227-022-800](#) [006205250500825+](#) [006205280500825+](#) [FPH-1602G](#) [086222026001800](#) [52610-0675](#) [62674-201121DLF](#) [52746-1671-TR250](#) [10051922-1610EHLF](#) [10051922-2810EHLF](#) [686322124422](#) [XF3M-2915-1B-R100](#) [AYF353125A](#) [AYF530665TA](#) [AYF534065TA](#) [20FLH-RSM1-TB](#) [PCA-7F-25-HL-3-G](#) [207356-1](#) [52807-0430](#) [FFC05011-10SBB114W5M](#) [502250-8027](#) [FH28K-40S-0.5SH](#) [200528-0260](#) [FH28K-10S-0.5SH](#) [501951-1250](#) [X05B20U43T](#) [0.5K-DX-30PWB](#) [DS1020-08-10VBT12](#) [THD0515-34CL-GF](#) [X05A10L28G](#) [ECC2841061EU](#) [20539-030E-01](#) [1.0K-DHQX-16PWB](#) [1.0K-DHQX-30PWB](#) [1775333-6](#) [10054365-202110ELF](#) [10054365-242110ELF](#) [10054365-282110ELF](#) [10064555-392220HLF](#) [59453-041110EBHLF](#) [59453-091110EDHLF](#) [62674-241141ALF](#) [62684-432100ALF](#) [62684-451100AHLF](#) [62684-5721N0ALF](#) [HFW11R-1STE1MTLF](#) [HFW12R-1STE9LF](#) [HFW14R-1STE9MTLF](#) [HFW18S-2STE9LF](#) [HFW20R-1STAE1HLF](#)