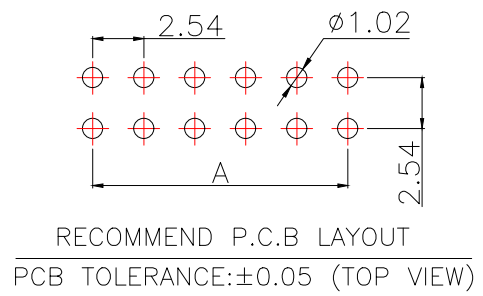
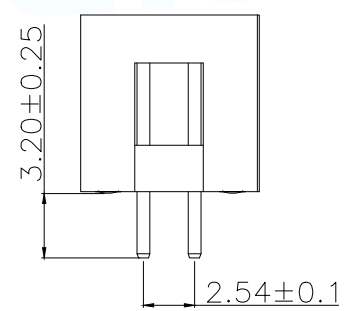
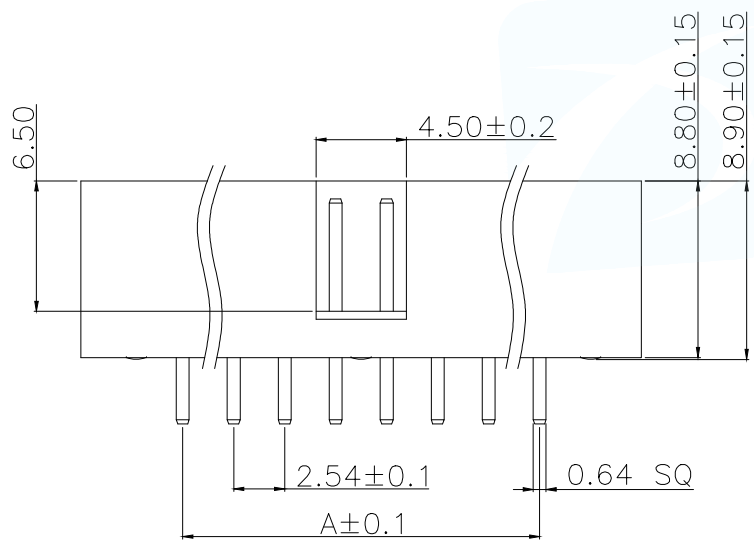


SPECIFICATIONS

Current Rating: 3Amps
 Insulation Resistance: 1000MΩ Min
 Contact Resistance: 20mΩ Max
 Withstanding Voltage: AC 1000V
 Operation Temperature: -40°to+105°
 Contact Material: Brass
 Insulator Material: Polyester(UL 94V-0)
 Contact plating: Gold Flash
 Standard: PA6T
 Max.Processing Temp: 240°C for30-60seconds (260°Cfor10seconds)



P/N	PIN	DIM.A	DIM.B
IDC2.54-01-06PZS	6	5.08	7.62
IDC2.54-01-08PZS	8	7.62	10.16
IDC2.54-01-10PZS	10	10.16	12.70
IDC2.54-01-12PZS	12	12.70	15.24
IDC2.54-01-14PZS	14	15.24	17.78
IDC2.54-01-16PZS	16	17.78	20.32
IDC2.54-01-18PZS	18	20.32	22.86
IDC2.54-01-20PZS	20	22.86	25.40
IDC2.54-01-24PZS	24	27.94	30.48
IDC2.54-01-26PZS	26	30.48	33.02
IDC2.54-01-28PZS	28	33.02	35.56
IDC2.54-01-30PZS	30	35.56	38.10
IDC2.54-01-32PZS	32	38.10	40.64
IDC2.54-01-34PZS	34	40.64	43.18
IDC2.54-01-36PZS	36	43.18	45.72
IDC2.54-01-40PZS	40	48.26	50.80
IDC2.54-01-44PZS	44	53.34	55.88
IDC2.54-01-50PZS	50	60.96	63.50
IDC2.54-01-60PZS	60	73.66	76.20
IDC2.54-01-64PZS	64	78.74	81.28

PART NUMBER DESCRIPTION:

IDC2.54-01-NPZS

(D=单排;S=双排)
 (Z=直脚;W=弯脚)
 (PIN数量;06.....64PIN)
 (排针开关)

MANUFACTURE DWG		东莞市讯普电子科技有限公司 DongGuan XunPu Electronics Co.,Ltd	
UNLESS OTHERWISE SPECIFIED TOLERANCES			TITLE:2.54DC3-NPin H8.9 180度 PC3.2 L11.5 6T
DECIMALS:	ANGLES:		PAR IDC2.54-01-NPZS
X.±0.30	X°±5'		DWN
X.X±0.20	X.X°±1'		CHKD
X.XX±0.10	X.XX°±0.5'	APVD	SCALE N:A UNIT:MM
CUSTOMER COPY		SIZE:A4	UNIT:MM
		SHEET:1F1	REV:A

X-ON Electronics

Largest Supplier of Electrical and Electronic Components

Click to view similar products for [I/O Connectors](#) category:

Click to view products by [XUNPU](#) manufacturer:

Other Similar products are found below :

[571763P](#) [59811-0000](#) [61-168618-12P](#) [D20419-211](#) [76871-1403](#) [PCR-E36PM](#) [PCS-XE26LKA](#) [PCS-XES68MS+](#) [G38A71314B](#) [DX40-50P\(55\)](#) [1571250010](#) [157-22500-3](#) [MS3471L14-19P L/C](#) [192991-0703](#) [91-569786-35H](#) [SM3100RC14S-9P-115](#) [FCN-260C008-A/L0](#) [FCN-260C024-AL0](#) [FCN-261Z008](#) [2000314-1](#) [200331-1](#) [PCS-E28FS+](#) [PCS-XE26SLFD+](#) [PCS-XE26SLFDT+](#) [G730VID08BDC24](#) [HDMR-29-01-S-SM-TR](#) [HDR-E14MSG1+](#) [54182-0605](#) [UE86K842720321](#) [38113800006](#) [DP3AR020WQ1R200](#) [DRA-26PC-F0R](#) [Z4.102.0680.0](#) [500-1040](#) [500-1052](#) [ZP-4008-66L](#) [10-565995-597N](#) [10-584459-12P](#) [DX40-20P\(55\)](#) [5554841-1](#) [SM3100F14S-12P](#) [SM3106F14S-7S-LC](#) [SM3106R18-18S](#) [U90B3054061110](#) [U65-E04-4020](#) [557-262M2-06C](#) [PCS-96LFD+](#) [60-042222-02S](#) [10099439-003C-TRLF](#) [226-0348-000](#)