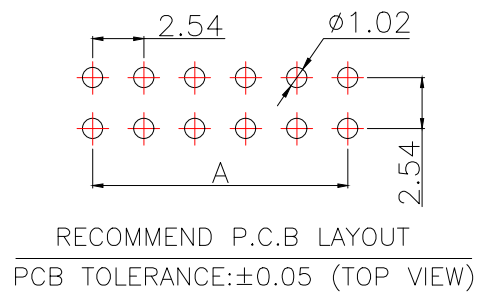
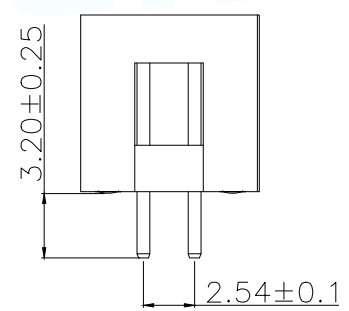
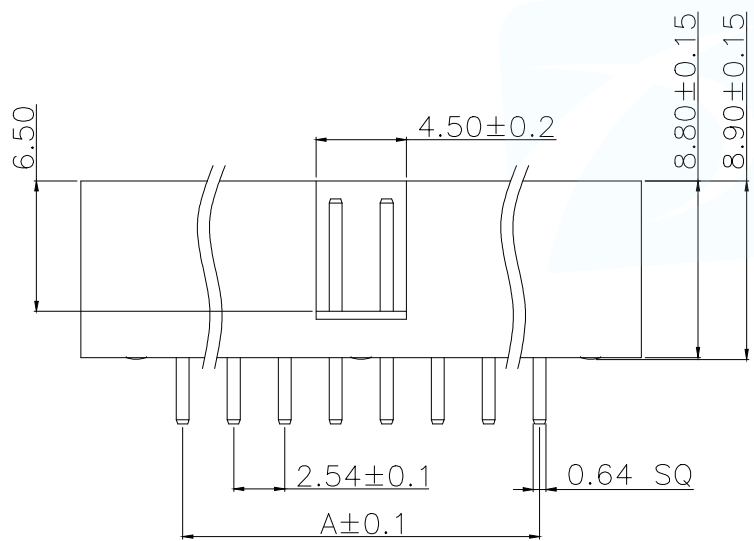


SPECIFICATIONS

Current Rating: 3Amps
 Insulation Resistance: 1000MΩ Min
 Contact Resistance: 20mΩ Max
 Withstanding Voltage: AC 1000V
 Operation Temperature: -40°to+105°
 Contact Material: Brass
 Insulator Material: Polyester(UL 94V-0)
 Contact plating: Gold Flash
 Standard: PA6T
 Max.Processing Temp: 240°C for30-60seconds (260°Cfor10seconds)



| P/N | PIN | DIM.A | DIM.B |
|------------------|-----|-------|-------|
| IDC2.54-01-06PZS | 6 | 5.08 | 7.62 |
| IDC2.54-01-08PZS | 8 | 7.62 | 10.16 |
| IDC2.54-01-10PZS | 10 | 10.16 | 12.70 |
| IDC2.54-01-12PZS | 12 | 12.70 | 15.24 |
| IDC2.54-01-14PZS | 14 | 15.24 | 17.78 |
| IDC2.54-01-16PZS | 16 | 17.78 | 20.32 |
| IDC2.54-01-18PZS | 18 | 20.32 | 22.86 |
| IDC2.54-01-20PZS | 20 | 22.86 | 25.40 |
| IDC2.54-01-24PZS | 24 | 27.94 | 30.48 |
| IDC2.54-01-26PZS | 26 | 30.48 | 33.02 |
| IDC2.54-01-28PZS | 28 | 33.02 | 35.56 |
| IDC2.54-01-30PZS | 30 | 35.56 | 38.10 |
| IDC2.54-01-32PZS | 32 | 38.10 | 40.64 |
| IDC2.54-01-34PZS | 34 | 40.64 | 43.18 |
| IDC2.54-01-36PZS | 36 | 43.18 | 45.72 |
| IDC2.54-01-40PZS | 40 | 48.26 | 50.80 |
| IDC2.54-01-44PZS | 44 | 53.34 | 55.88 |
| IDC2.54-01-50PZS | 50 | 60.96 | 63.50 |
| IDC2.54-01-60PZS | 60 | 73.66 | 76.20 |
| IDC2.54-01-64PZS | 64 | 78.74 | 81.28 |

PART NUMBER DESCRIPTION:

IDC2.54-01-NPZS

(D=单排;S=双排)
 (Z=直脚;W=弯脚)
 (PIN数量;06.....64PIN)
 (排针开关)

| | | | |
|---------------------------------------|------------|---|--|
| MANUFACTURE DWG | | 东莞市讯普电子科技有限公司 DongGuan XunPu Electronics Co.,Ltd | |
| UNLESS OTHERWISE SPECIFIED TOLERANCES | | | TITLE:2.54DC3-NPin H8.9 180度 PC3.2 L11.5 6T |
| DECIMALS: | ANGLES: | | PAR IDC2.54-01-NPZS |
| X.±0.30 | X°±5' | | DWN |
| X.X±0.20 | X.X°±1' | | CHKD |
| X.XX±0.10 | X.XX°±0.5' | APVD | SCALE N:A UNIT:MM |
| CUSTOMER COPY | | SIZE:A4 | UNIT:MM |
| | | SHEET:1F1 | REV:A |

X-ON Electronics

Largest Supplier of Electrical and Electronic Components

Click to view similar products for [I/O Connectors](#) category:

Click to view products by [XUNPU](#) manufacturer:

Other Similar products are found below :

[571763P](#) [59811-0000](#) [61-168618-12P](#) [D20419-211](#) [76871-1403](#) [PCR-E36PM](#) [PCS-XE26LKA](#) [PCS-XES68MS+](#) [G38A71314B](#) [DX40-50P\(55\)](#) [1571250010](#) [157-22500-3](#) [MS3471L14-19P L/C](#) [192991-0703](#) [91-569786-35H](#) [SM3100RC14S-9P-115](#) [FCN-260C008-A/L0](#) [FCN-260C024-AL0](#) [FCN-261Z008](#) [2000314-1](#) [200331-1](#) [PCS-E28FS+](#) [PCS-XE26SLFD+](#) [PCS-XE26SLFDT+](#) [G730VID08BDC24](#) [HDMR-29-01-S-SM-TR](#) [HDR-E14MSG1+](#) [54182-0605](#) [UE86K842720321](#) [38113800006](#) [DP3AR020WQ1R200](#) [DRA-26PC-F0R](#) [Z4.102.0680.0](#) [500-1040](#) [500-1052](#) [ZP-4008-66L](#) [10-565995-597N](#) [10-584459-12P](#) [DX40-20P\(55\)](#) [5554841-1](#) [SM3100F14S-12P](#) [SM3106F14S-7S-LC](#) [SM3106R18-18S](#) [U90B3054061110](#) [U65-E04-4020](#) [557-262M2-06C](#) [PCS-96LFD+](#) [60-042222-02S](#) [10099439-003C-TRLF](#) [226-0348-000](#)