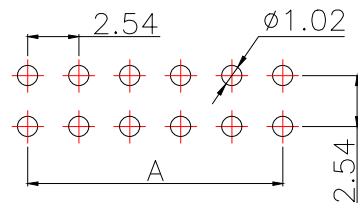
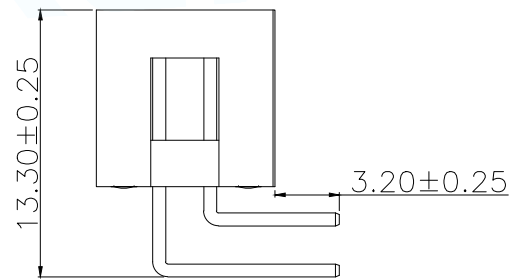
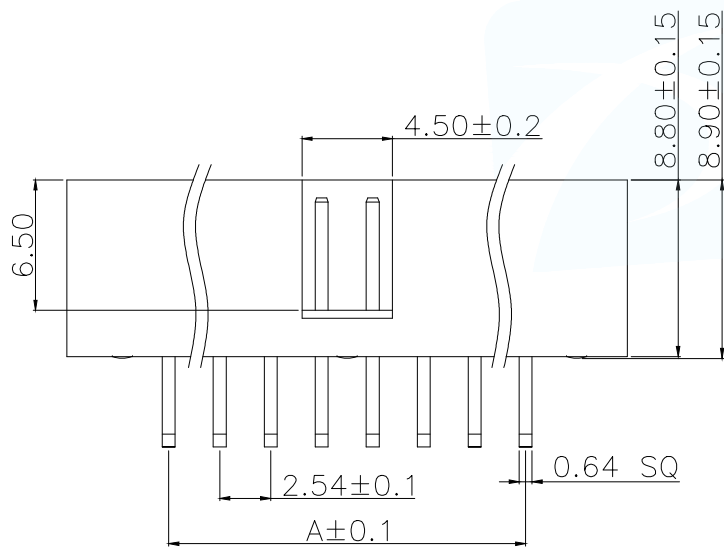


SPECIFICATIONS

Current Rating: 3Amps  
 Insulation Resistance: 1000MΩ Min  
 Contact Resistance: 20mΩ Max  
 Withstanding Voltage: AC 1000V  
 Operation Temperature: -40° to +105°  
 Contact Material: Brass  
 Insulator Material: Polyester (UL 94V-0)  
 Contact plating: Gold Flash  
 Standard: PA6T  
 Max. Processing Temp: 240°C for 30-60 seconds (260°C for 10 seconds)

P/N	PIN	DIM.A	DIM.B
IDC2.54-05-06PWS	6	5.08	7.62
IDC2.54-05-08PWS	8	7.62	10.16
IDC2.54-05-10PWS	10	10.16	12.70
IDC2.54-05-12PWS	12	12.70	15.24
IDC2.54-05-14PWS	14	15.24	17.78
IDC2.54-05-16PWS	16	17.78	20.32
IDC2.54-05-18PWS	18	20.32	22.86
IDC2.54-05-20PWS	20	22.86	25.40
IDC2.54-05-24PWS	24	27.94	30.48
IDC2.54-05-26PWS	26	30.48	33.02
IDC2.54-05-28PWS	28	33.02	35.56
IDC2.54-05-30PWS	30	35.56	38.10
IDC2.54-05-32PWS	32	38.10	40.64
IDC2.54-05-34PWS	34	40.64	43.18
IDC2.54-05-36PWS	36	43.18	45.72
IDC2.54-05-40PWS	40	48.26	50.80
IDC2.54-05-44PWS	44	53.34	55.88
IDC2.54-05-50PWS	50	60.96	63.50
IDC2.54-05-60PWS	60	73.66	76.20
IDC2.54-05-64PWS	64	78.74	81.28



RECOMMEND P.C.B LAYOUT  
 PCB TOLERANCE: ±0.05 (TOP VIEW)

PART NUMBER DESCRIPTION:

IDC2.54-05-NPWS

(D=单排; S=双排)  
 (Z=直脚; W=弯脚)  
 (PIN数量; 06.....64PIN)  
 (排针开关)

MANUFACTURE DWG		东莞市讯普电子科技有限公司 DongGuan XunPu Electronics Co., Ltd		
UNLESS OTHERWISE SPECIFIED TOLERANCES			TITLE: 2.0DC3-nPin H5.7 90度 PC2.8 PB9.3 L10.5/14.5 6T	
DECIMALS:	ANGLES:		PAR IDC2.54-05-NPWS	
X.±0.30	X°±5'		DWN	
X.X±0.20	X.X°±1'		CHKD	
X.XX±0.10	X.XX°±0.5'	APVD		
CUSTOMER COPY		SCALE N:A	UNIT:MM	
		SIZE:A4	SHEET:1F1	
			REV:A	

## X-ON Electronics

Largest Supplier of Electrical and Electronic Components

*Click to view similar products for [I/O Connectors](#) category:*

*Click to view products by [XUNPU](#) manufacturer:*

Other Similar products are found below :

[571763P](#) [59811-0000](#) [61-168618-12P](#) [D20419-211](#) [D38999/20FJ24PA L/C](#) [76871-1403](#) [PCR-E36PM](#) [PCS-XE26LKA](#) [PCS-XES68MS+](#)  
[G38A71314B](#) [DX40-50P\(55\)](#) [1571250010](#) [157-22500-3](#) [MS3471L14-19P L/C](#) [192991-0703](#) [FCN-260C008-A/L0](#) [FCN-260C024-AL0](#) [FCN-](#)  
[261Z008](#) [2000314-1](#) [200331-1](#) [PCS-E28FS+](#) [PCS-XE26SLFD+](#) [PCS-XE26SLFDT+](#) [G730VID08BDC24](#) [HDR-E14MSG1+](#) [54182-0605](#)  
[UE86K842720321](#) [38113800006](#) [DP3AR020WQ1R200](#) [DRA-26PC-F0R](#) [Z4.102.0680.0](#) [500-1040](#) [500-1052](#) [DX40-20P\(55\)](#) [5554841-1](#)  
[SM3100F14S-12P](#) [U90B3054061110](#) [U65-E04-4020](#) [557-262M2-06C](#) [60-042222-02S](#) [10099439-003C-TRLF](#) [226-0348-000](#) [10137239-](#)  
[0011LF](#) [70.060.1028.0](#) [109029-ZZ](#) [HDR-E26MG1+](#) [SO-0715-02-01-02](#) [GT1-DA04CST](#) [231-303](#) [MS3112E16-8SX](#)