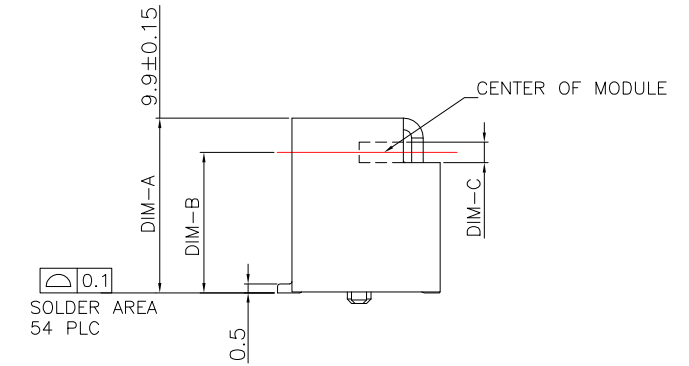


LTEM NO	DIM-A	DIM-B	DIM-C
PCIE-52P40H	4.0mm	2.05mm	1.12mm
PCIE-52P52H	5.2mm	3.25mm	1.12mm
PCIE-52P56H	5.6mm	3.65mm	1.12mm
PCIE-52P70H	7.0mm	5.05mm	1.12mm
PCIE-52P80H	8.0mm	6.05mm	1.16mm
PCIE-52P90H	9.0mm	7.05mm	1.16mm
PCIE-52P99H	9.9mm	7.95mm	1.16mm



NOTES:

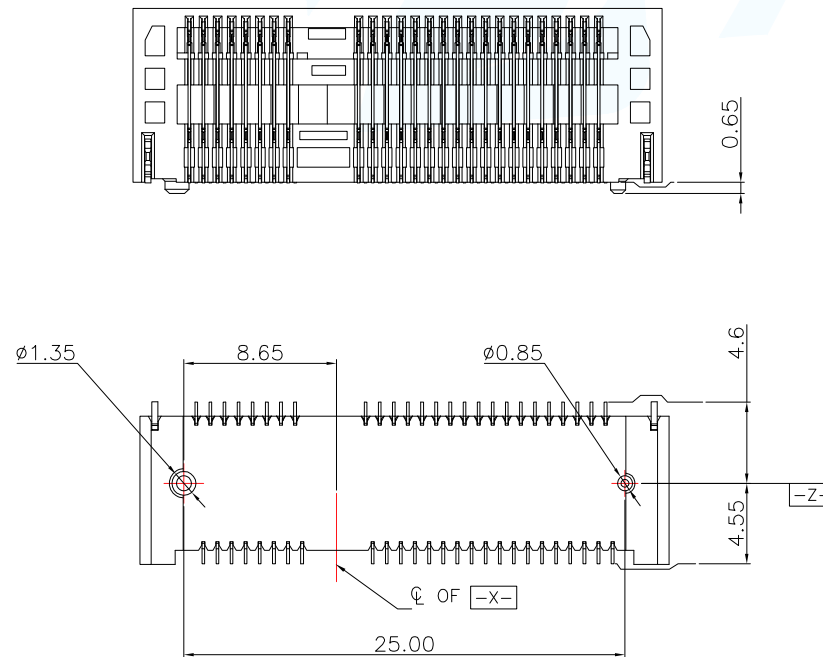
1. MATERIAL:
HOUSING: THERMOPLASTIC, HIGH TEMP, UL94V-0, BLACK COLOR,
CONTACTS: COPPER ALLOY.
PEGS: COPPER ALLOY.
2. FINISH:
CONTACTS: SELECTED GOLD PLATING ON THE CONTACT AREA,
1u" MIN. GOLD PLATING ON THE SOLDER TAILS,
50 u" MIN. NICKEL UNDERPLATING OVER ALL.
PEGS: 120u" MIN. MATTE-TIN OVER 50u" MIN. NICKEL.
3. DATE CODE.

YYWWDD

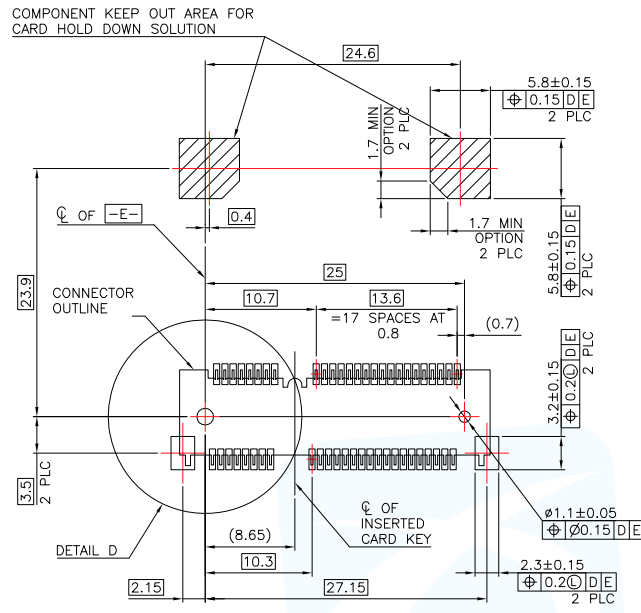
YY: YEAR (19: 2019)

WW: WEEK (25: THE 25TH WEEK)

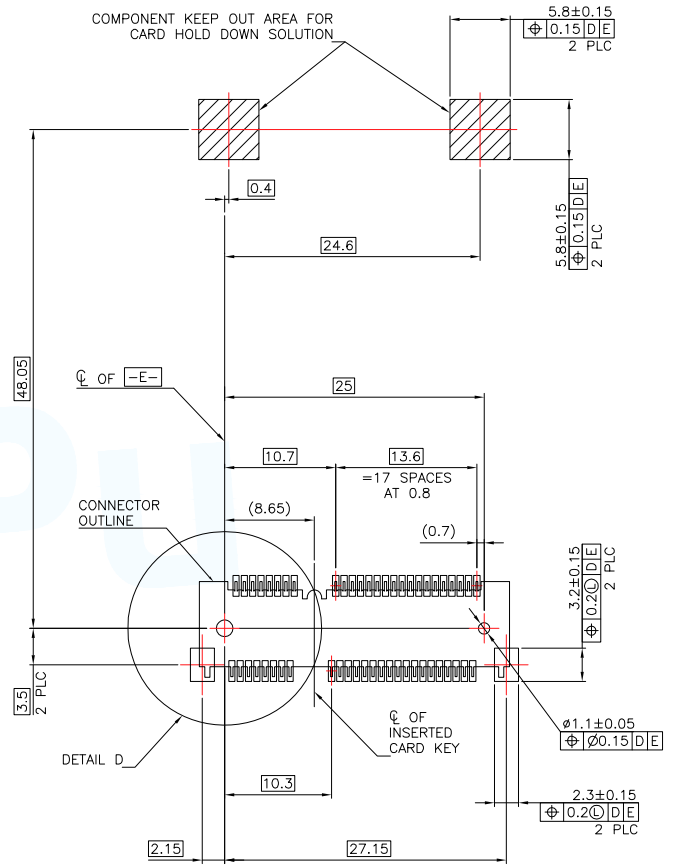
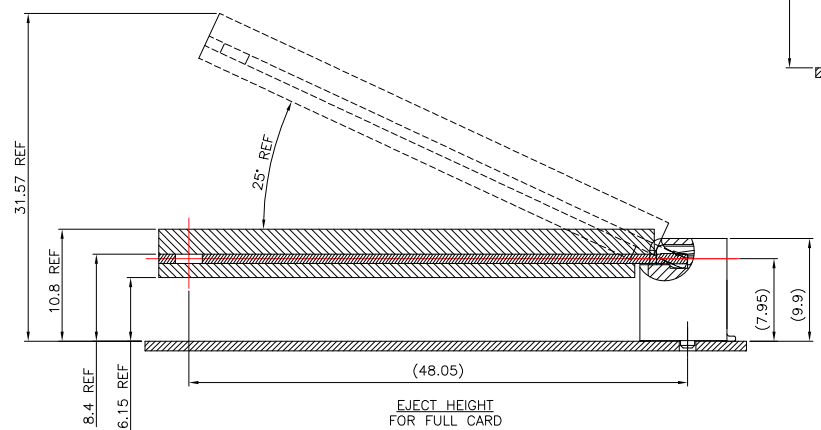
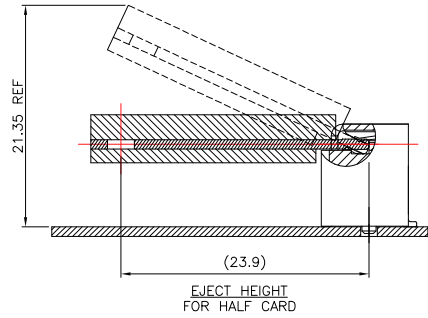
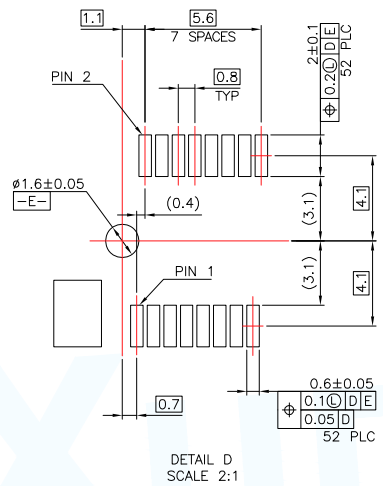
DD: (D1~D7: SUNDAY~SATURDAY)



MANUFACTURE DWG		东莞市讯普电子科技有限公司 DongGuan XunPu Electronics Co.,Ltd	
UNLESS OTHERWISE SPECIFIED TOLERANCES			TITLE: MINI PCI EXPRESS
			PAR PCIE-52PNH
			DWN KING
			2016.06.06
DECIMALS: .X:±0.25 .XX:±0.15 .XXX:±0.10	ANGLES: X':±1.5' .X':±1.0' .XX':±0.5'	SCALE:1:1	UNIT:MM
		SIZE:A4	SHEET:1F1
		CUSTOMER COPY	REV:A



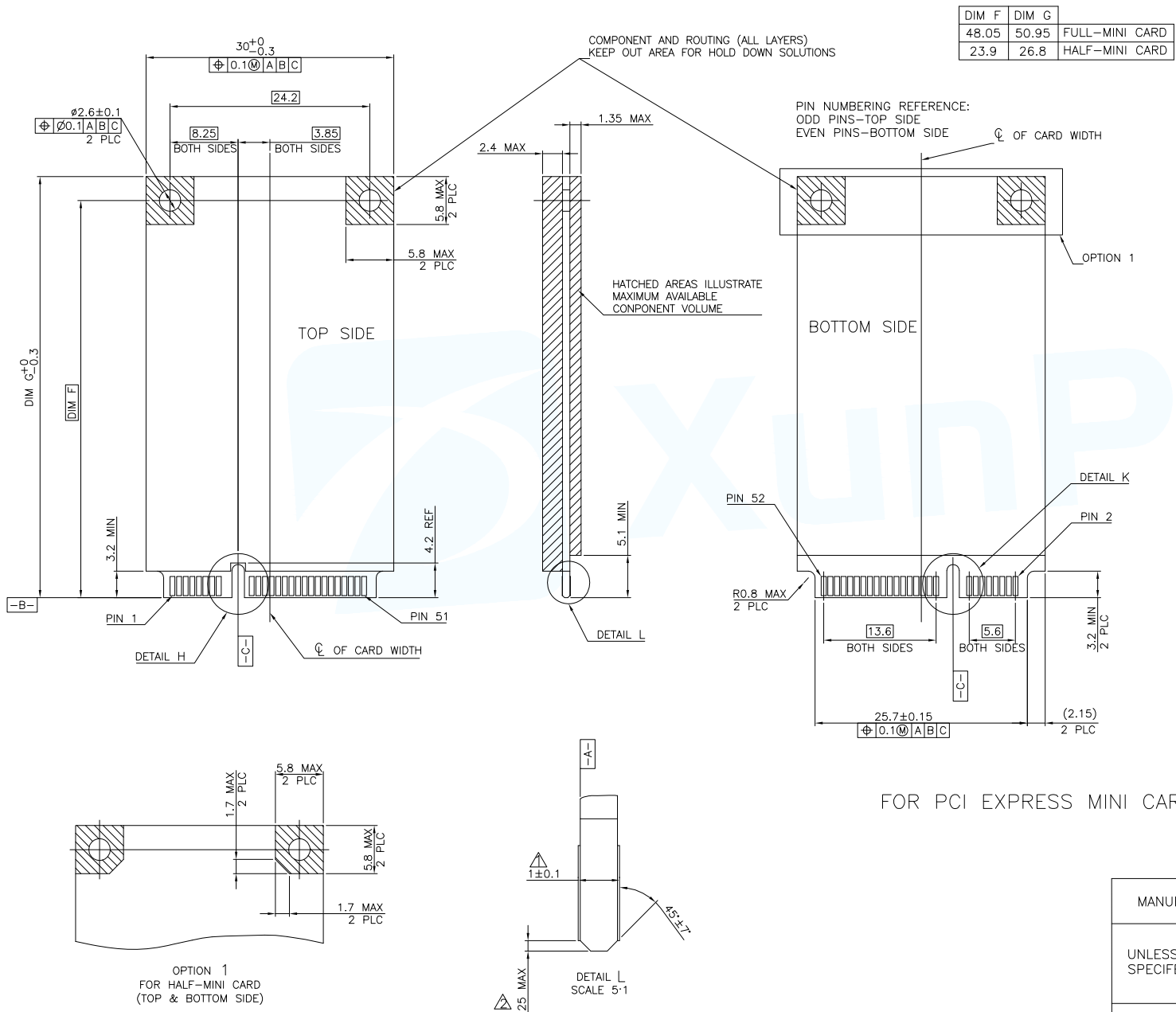
-D- IS THE TOP SURFACE OF PCB.
RECOMMENDED P.C. BOARD PATTERN LAYOUT
FOR HALF CARD CONNECTOR
(TOP VIEW)



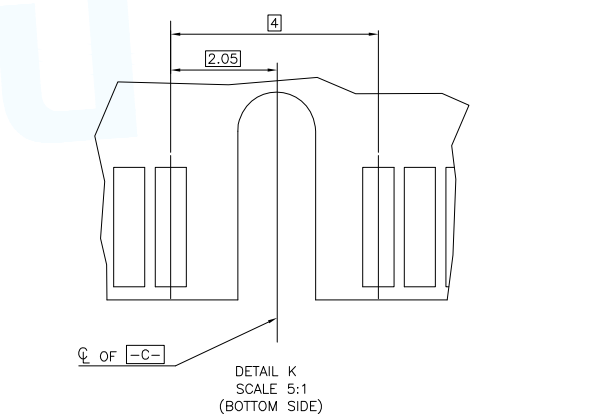
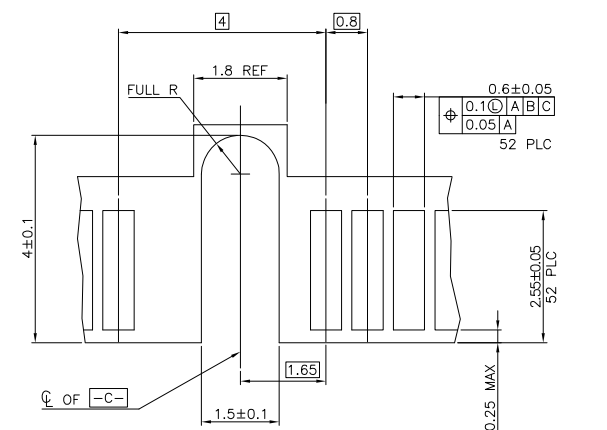
-D- IS THE TOP SURFACE OF PCB.
RECOMMENDED P.C. BOARD PATTERN LAYOUT
FOR FULL CARD CONNECTOR
(TOP VIEW)

MANUFACTURE DWG		东莞市讯普电子科技有限公司 DongGuan XunPu Electronics Co.,Ltd	
UNLESS OTHERWISE SPECIFIED TOLERANCES			TITLE: MINI PCI EXPRESS
DECIMALS:	ANGLES:		PAR PCIE-52PNH
.X:±0.25	X°:±1.5'		DWN KING
.XX:±0.15	.X°:±1.0'		2016.06.06
.XXX:±0.10	.XX°:±0.5'	CUSTOMER COPY	SCALE 1:1 UNIT:MM SIZE:A4 SHEET:1F1 REV:A

MAPX	MODIFICATION	DATE	DRAW	APPROVE



DIM F	DIM G	
48.05	50.95	FULL-MINI CARD
23.9	26.8	HALF-MINI CARD

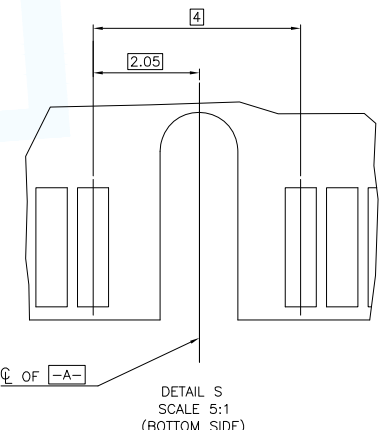
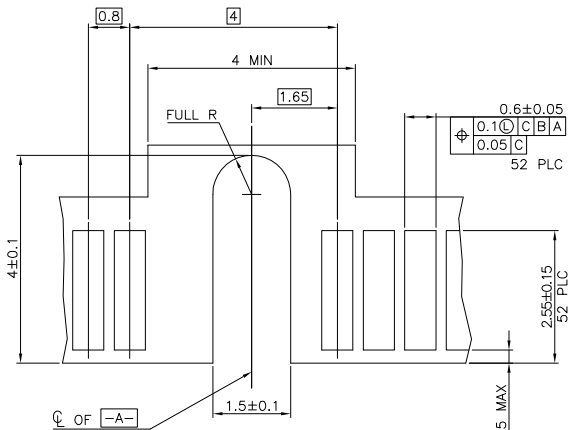
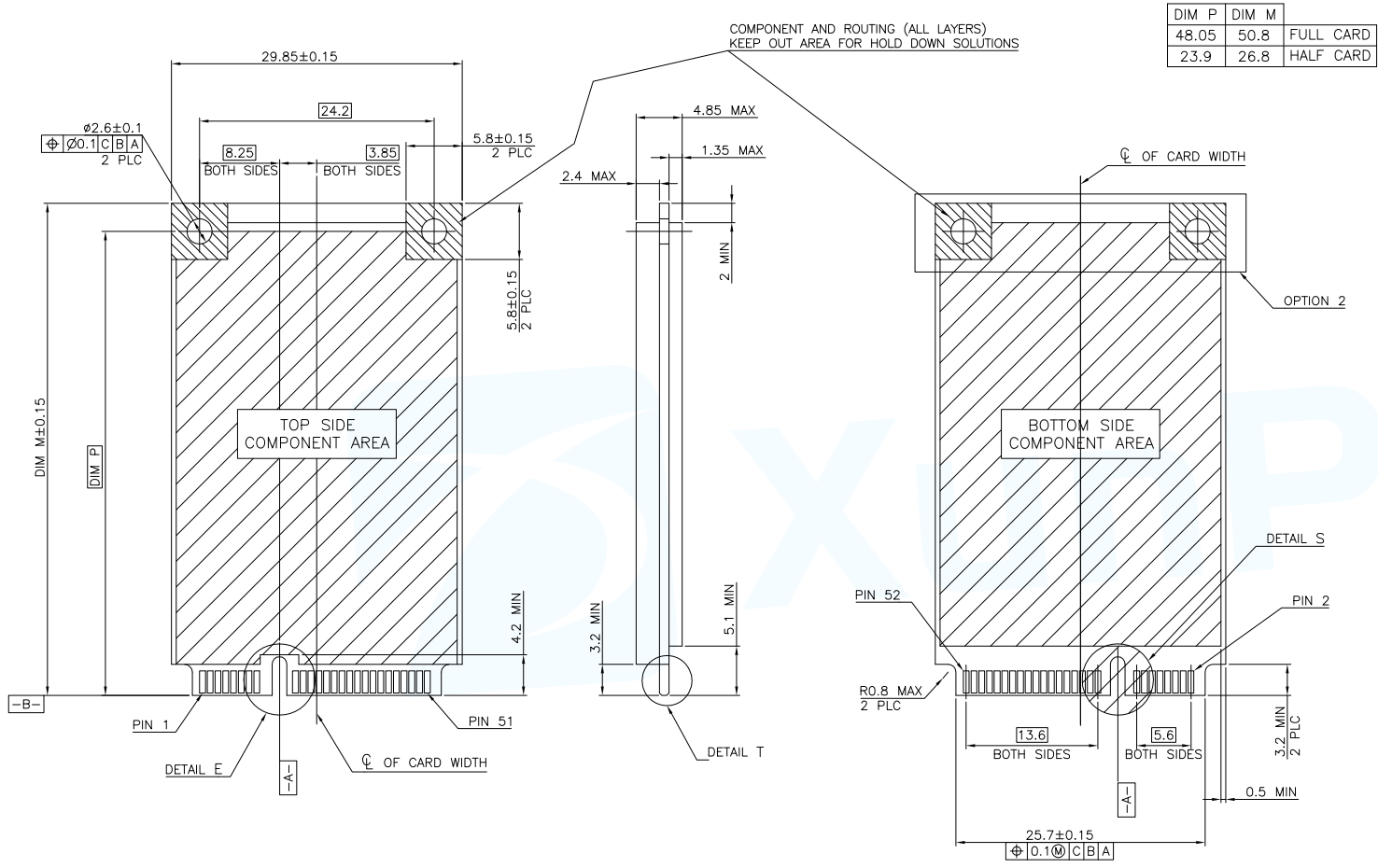


- NOTES:
- \triangle CARD THICKNESS APPLIES ACROSS TABS AND INCLUDES PLATING AND/OR METALLIZATION.
 - \triangle EDGE BEVEL MUST BE PRESENT AND FREE OF CUTTING BURRS FROM PCB AND CONTACT MATERIALS.

FOR PCI EXPRESS MINI CARD

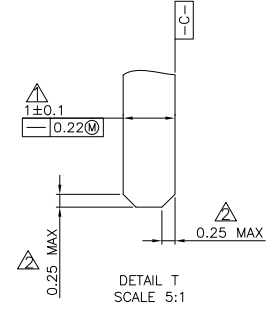
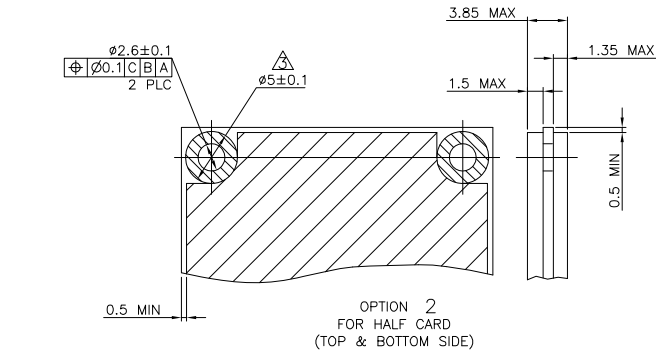
MANUFACTURE DWG		东莞市讯普电子科技有限公司 DongGuan XunPu Electronics Co.,Ltd		
UNLESS OTHERWISE SPECIFIED TOLERANCES		TITLE: MINI PCI EXPRESS		
		PAR	PCIE-52PNH	
		DWN	KING	2016.06.06
		CHKD		
		APVD		
DECIMALS:	ANGLES:	SCALE 1:1 UNIT:MM		
.X: ± 0.25	X': $\pm 1.5'$	SIZE:A4	SHEET:1F1	REV:A
.XX: ± 0.15	.X': $\pm 1.0'$	CUSTOMER COPY		
.XXX: ± 0.10	.XX': $\pm 0.5'$			





- NOTES:
- ⚠ CARD THICKNESS APPLIES ACROSS TABS AND INCLUDES PLATING AND/OR METALLIZATION.
 - ⚠ EDGE BEVEL MUST BE PRESENT AND FREE OF CUTTING BURRS FROM PCB AND CONTACT MATERIALS.
 - ⚠ COMPONENT AND ROUTING (TOP/BOTTOM LAYER) KEEP OUT AREA FOR HOLD DOWN SOLUTIONS.

FOR mSATA



MANUFACTURE DWG		东莞市讯普电子科技有限公司 DongGuan XunPu Electronics Co.,Ltd			
UNLESS OTHERWISE SPECIFIED TOLERANCES			TITLE: MINI PCI EXPRESS		
DECIMALS:	ANGLES:		PAR	PCIE-52PNH	
.X:±0.25	X'.:±1.5'		DWN	KING	2016.06.06
.XX:±0.15	.X':±1.0'		CHKD		
.XXX:±0.10	.X'':±0.5'	APVD			
CUSTOMER COPY		SCALE:1:1	UNIT:MM		
		SIZE:A4	SHEET:1F1	REV:A	

X-ON Electronics

Largest Supplier of Electrical and Electronic Components

Click to view similar products for [Standard Card Edge Connectors](#) category:

Click to view products by [XUNPU](#) manufacturer:

Other Similar products are found below :

[CR7E-30DB-3.96E\(72\)](#) [6565204-6](#) [1437274-4](#) [EBT15622B2X](#) [EBT156-22R2W](#) [1-582587-1](#) [284-0102-12100](#) [286-0052-12101A](#)
[306022901000000](#) [307-056-520-300](#) [A6D22DS29C2](#) [1926088-2](#) [245-062-520-350](#) [287-0032-12101](#) [306-028-525-102](#) [307-072-526-202](#) [345-](#)
[060-559-303](#) [534671-1](#) [341-240-317](#) [345-044-500-300](#) [346-240-318](#) [395-100-524-300](#) [09-07-2032](#) [10035388-802LF](#) [10115859-011LF](#)
[10122859-009LF](#) [101269333204245CLF](#) [530555-1](#) [66925-516LF](#) [5145409-2](#) [73726-0005](#) [66308-1](#) [5036A30](#) [PEC-07-02-T-S-A](#) [KSLX-62-](#)
[BR](#) [CE100F26-7-C](#) [CE100F28-3-D](#) [CE100F28-4-D](#) [CE156F22-9-C](#) [CT100F24-3-D](#) [CT100F24-6-C](#) [MLSS100-12-C](#) [SCC100F-11-C](#)
[SCC100F-20-C](#) [SCC100F-24-C](#) [SCC100F-25-C](#) [3-530656](#) [285-0112-12300](#) [346-068-556-300](#) [284-0492-11000](#)