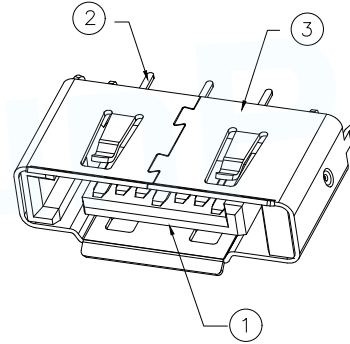
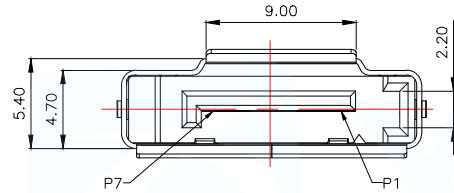
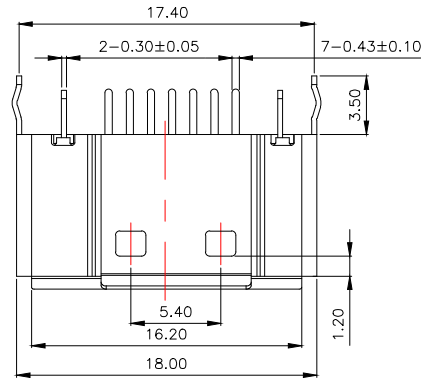
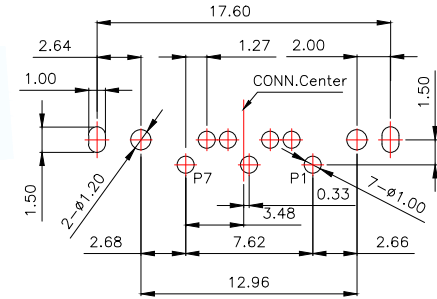


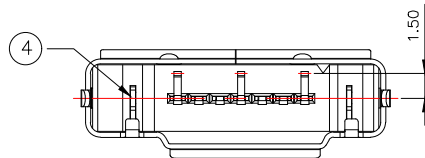
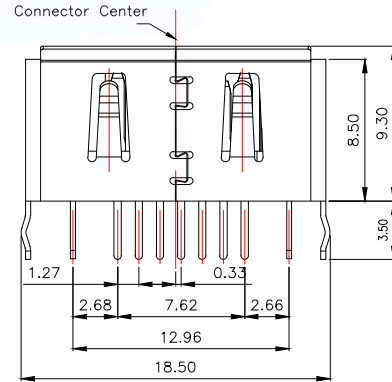
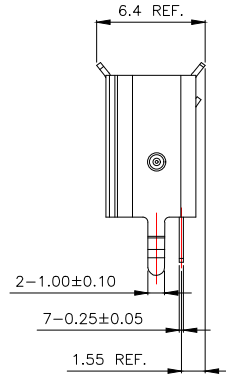
PIN ASSIGNMENT	
PIN NO.	SIGNAL NAME
P1	GND
P2	A+
P3	A-
P4	GND
P5	B-
P6	B+
P7	GND



- NOTES:
- MATERIAL:
INSULATOR: GLASS FILLED POLYESTER,UL 94 V-0 RATED OR OTHER EQUIVALENT RESINS.
CONTACT: COPPER ALLOY.
 - FINISH:
CONTACT:GOLD PLATING IN THE CONTACT AREA, SELECTIVE TIN PLATING IN THE SOLDERTAIL AREA,WITH NICKEL UNDERPLATING OVERALL.
SHIELD:NICKEL PLATING OVERALL.
GROUND:TIN PLATING OVERALL.
 - MECHANICAL:
3-1. INSERTION FORCE: 45N Max;
3-2. WITHOUT FORCE: 10N Min;
3-3. DURABILITY: 500 CYCLES;
 - ELECTRICAL:
4-1. CONTACT RESISTANCE: 30mΩ Max;
4-2. INSULATION RESISTANCE: 1000MΩ Min;
4-3. DIELECTRIC WITHSTANDING VOLTAGE: 500V AC;

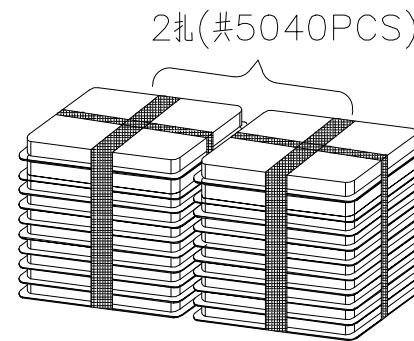
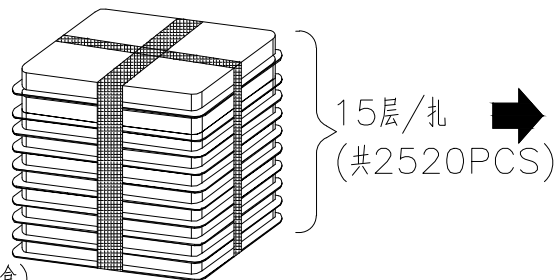
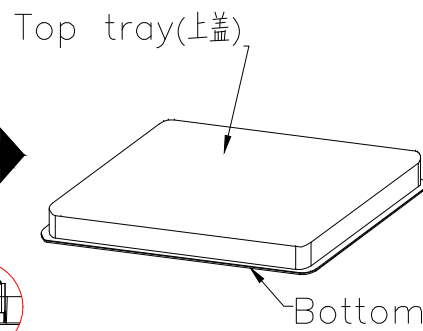
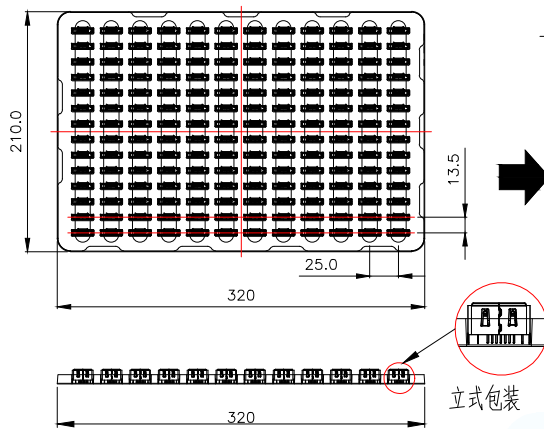


RECOMMEND PCB LAYOUT (TOP View)
T=1.60MM TOLERANCE:±0.05MM



4	GROUND	COPPER ALLOY T=0.30	Sn-Plated
3	SHELL	SPCC T=0.30	Ni-Plated
2	TERMINAL	COPPER ALLOY T=0.25	Gold-Plated
1	HOUSING	HIGH TEMP UL94 V-0	Black
NO.	DESCRIPTION	MATERIAL	REMARK
MANUFACTURE DWG		东莞市讯普电子科技有限公司 DongGuan XunPu Electronics Co.,Ltd	
UNLESS OTHERWISE SPECIFIED TOLERANCES		TITLE: SATA 7PIN DIP脚间距 1.5	
		PAR	SATA-404-M07S1BA-A
DECIMALS:	ANGLES:	DWN	
X.X±0.20	X.*±5°	CHKD	
X.XX±0.15	X.X*±2°	APVD	
X.XXX±0.05	X.XX*±1°	SCALE N:A	UNIT:MM
CUSTOMER COPY		SIZE:A4	SHEET:1F1
			REV:A

注：
14x12=168PCS/盘



① 将产品置入吸塑盒

② 盖好上盖

③ 包扎PE膜

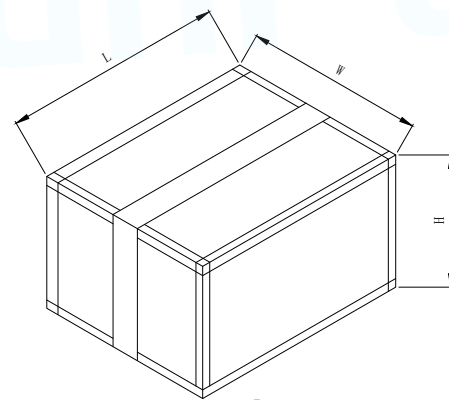
④ 吸塑盒整齐摆放

包装说明：

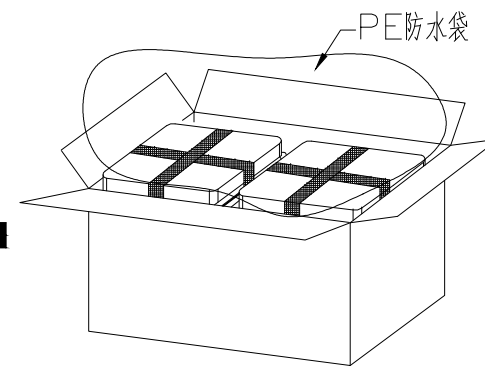
1. 本包装规范适用于产品如下：

料号	规格
SATA-404-M07S1BB-B	DIP=2.80mm
SATA-404-M07S1BB-A	DIP=3.50mm

- 将检验好之良品放入吸塑盒内，每盒装入168PCS；(如图 ①)
- 将装好产品的下盒加好上盖；(如图 ②)
- 将盖好上盖的吸塑盒堆叠整齐，并每10盒用PE膜呈(+)字形扎好；(如图 ③)
- 将扎好PE膜的2扎产品整齐摆放；(如图 ④)
- 先将PE防水膜放入纸箱内，然后再在底部放入一张卡纸；(如图 ⑤)
- 用透明胶纸将纸箱封好，并在外箱标签位置贴好出货标签；(如图 ⑥)
- 包装时需轻拿轻放，产品不可变形、有脏污物，不可短装少数等不良现象。



⑥ 封箱



⑤ 放入PE袋/产品

MANUFACTURE DWG		东莞市讯普电子科技有限公司 DongGuan XunPu Electronics Co.,Ltd	
UNLESS OTHERWISE SPECIFIED TOLERANCES			TITLE: SATA 7PIN 立式包装
DECIMALS:	ANGLES:		PAR SATA-404-M07S1BA-A
X.X±0.20	X.*±5°		DWN
X.XX±0.15	X.X°±2°		CHKD
X.XXX±0.05	X.XX°±1°	APVD	SCALE N:A
CUSTOMER COPY		UNIT:MM	UNIT:MM
		SIZE:A4	SHEET:1F1
			REV:A

X-ON Electronics

Largest Supplier of Electrical and Electronic Components

Click to view similar products for [Standard Card Edge Connectors](#) category:

Click to view products by [XUNPU](#) manufacturer:

Other Similar products are found below :

[CR7E-30DB-3.96E\(72\)](#) [6565204-6](#) [1437274-4](#) [1-582587-1](#) [284-0102-12100](#) [286-0052-12101A](#) [306022901000000](#) [A6D22DS29C2](#) [1926088-2](#) [245-062-520-350](#) [287-0032-12101](#) [306-028-525-102](#) [307-072-526-202](#) [330-030-500-278](#) [345-060-559-303](#) [534671-1](#) [341-240-317](#) [345-044-500-300](#) [346-240-318](#) [C7D10DS29C1M133](#) [395-100-524-300](#) [09-07-2032](#) [10035388-802LF](#) [10115859-011LF](#) [10122859-009LF](#) [101269333204245CLF](#) [530555-1](#) [66925-516LF](#) [5145409-2](#) [73726-0005](#) [66308-1](#) [EBC05DRXN](#) [KSLX-62-BR](#) [CE100F26-7-C](#) [CE100F28-3-D](#) [CE100F28-4-D](#) [CE156F22-9-C](#) [CT100F24-3-D](#) [CT100F24-6-C](#) [MLSS100-12-C](#) [SCC100F-11-C](#) [SCC100F-20-C](#) [SCC100F-24-C](#) [SCC100F-25-C](#) [3-530656](#) [2512250177](#) [285-0112-12300](#) [346-068-556-300](#) [284-0492-11000](#) [287-0032-12301](#)