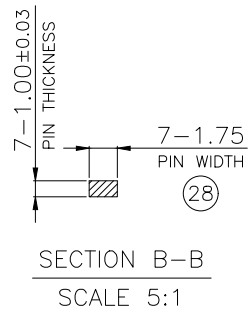


- MATERIAL SPECIFICATION,
 - HOUSING:PA66;
 - CONTACT:BRASS C2680;
 - HOOK:BRASS C2680;
- PLATING SPECIFICATION,
 - CONTACT:
UNDER PLATING:Ni 50u" Min PLATED OVER ALL;
CONTACT AREA: SEE TABLE;
SOLDER TAIL: MATTE TIN 100u" Min PLATED ;
 - HOOK: MATTE TIN 100u" Min PLATED OVER Ni 50u" Min.
- MECHANICAL PERFORMANCE,
 - INSERTION FORCE:45N Max
 - REMOVAL FORCE:10N Min
 - DURABILITY:50 CYCLES
- ELECTRICAL PERFORMANCE,
 - CURRENT RATING:1.5A Max
 - INSULATION RESISTANCE:1000 MEGAOHMS Min.
 - DIELECTRIC WITHSTAND VOLTAGE:500VRMS AT SEA LEVEL
- RoHS OR HF COMPLIANT.

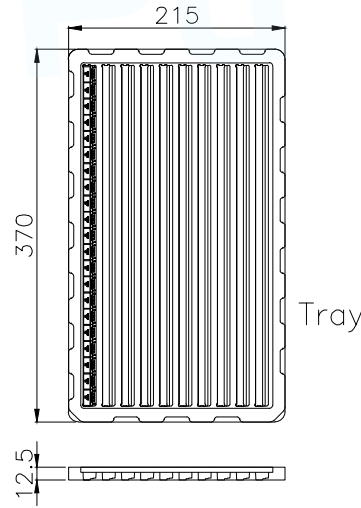
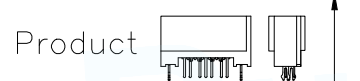
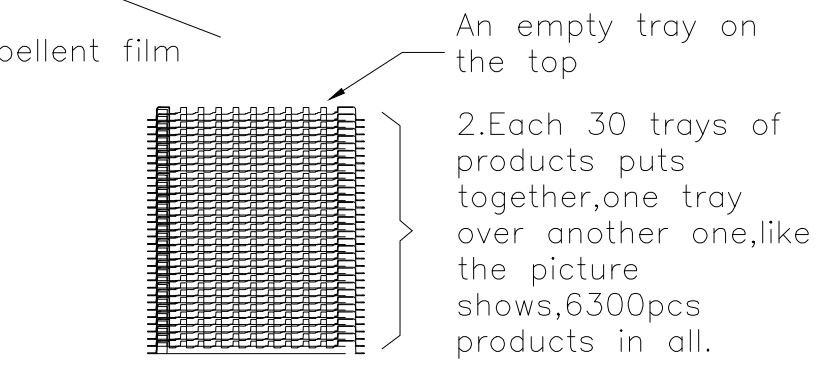
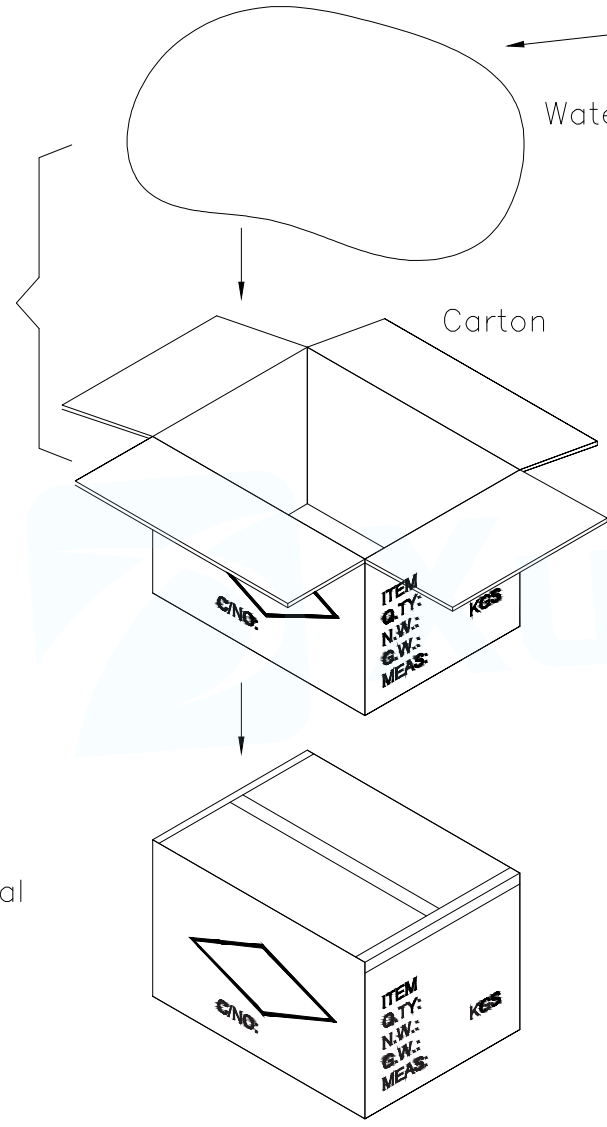


RECOMMENDED P.C.B. LAYOUT(TOP VIEW)
THICKNESS:1.6mm; TOLERANCE ±0.05mm

MANUFACTURE DWG		东莞市讯普电子科技有限公司 DongGuan XunPu Electronics Co.,Ltd	
UNLESS OTHERWISE SPECIFIED TOLERANCES		TITLE: SATA 7Pin CONN 固定扣脚	
DECIMALS:		PAR	
X.X±0.20	ANGLES:	SATA-501-M07S1BY-A	
X.XX±0.15	X.*±5°	DWN	
X.XXX±0.05	X.X*±2°	CHKD	
	X.XX*±1°	APVD	
		SCALE N:A	UNIT:MM
		SIZE:A4	SHEET:1F1
		CUSTOMER COPY	REV:A

3. Put the 30 trays of products into a water-repellent film, then put all of them into a carton.

4. Packed the carton, and the seal lppks like "I" shape.



1. Put the good products which had inspected into the tray, 210 pcs per tray.

MANUFACTURE DWG		 东莞市讯普电子科技有限公司 DongGuan XunPu Electronics Co., Ltd		
UNLESS OTHERWISE SPECIFIED TOLERANCES			TITLE: SATA 7Pin CONN	
DECIMALS:	ANGLES:		PAR	SATA-501-M07S1BY-A
X.X±0.20	X.*±5°		DWN	
X.XX±0.15	X.*±2°		CHKD	
X.XXX±0.05	X.XX*±1°	APVD		
CUSTOMER COPY		SCALE N:A	UNIT:MM	
		SIZE:A4	SHEET:1F1	
			REV:A	

X-ON Electronics

Largest Supplier of Electrical and Electronic Components

Click to view similar products for [Headers & Wire Housings](#) category:

Click to view products by [XUNPU](#) manufacturer:

Other Similar products are found below :

[0015917161](#) [0022155065](#) [57102-F02-18ULF](#) [58102-G61-06LF](#) [582553-1](#) [01.001.5753.1](#) [0050291907](#) [02.125.8002.8](#) [609-3404](#) [61062-3](#)
[CSU011177004](#) [622-0430](#) [622-3653LF](#) [63453-116](#) [636-1030](#) [636-1427](#) [636-3427](#) [636-4007](#) [641938-9](#) [65495-038](#) [65692-001LF](#) [65781-018](#)
[65781-047](#) [65817-010LF](#) [65817-015LF](#) [67095-007LF](#) [67601157](#) [68631-112](#) [68645-018](#) [699319-000](#) [70.362.1628.0](#) [70-4210](#) [70-4226B](#) [70-](#)
[4853B](#) [71.350.2428.0](#) [733-134](#) [733-162](#) [760-3052](#) [MHR-64-VUAL](#) [80.063.4001.1](#) [800-90-001-10-001000](#) [801-43-002-10-013000](#)
[801-43-006-10-002000](#) [803-43-024-10-001000](#) [803-93-012-10-001000](#) [8-1437020-4](#) [819-22-004-30-001101](#) [820-22-006-30-001101](#)
[820-22-008-30-001101](#) [821-22-002-10-001101](#)