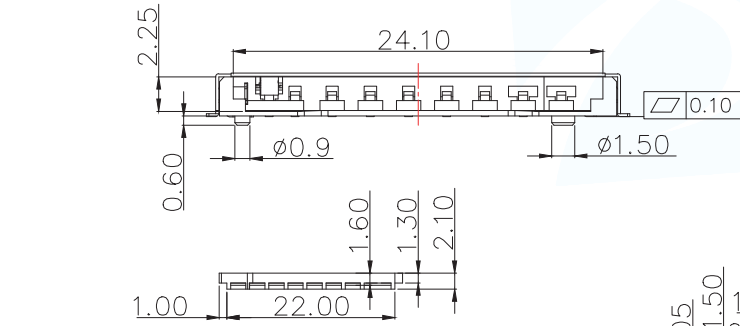
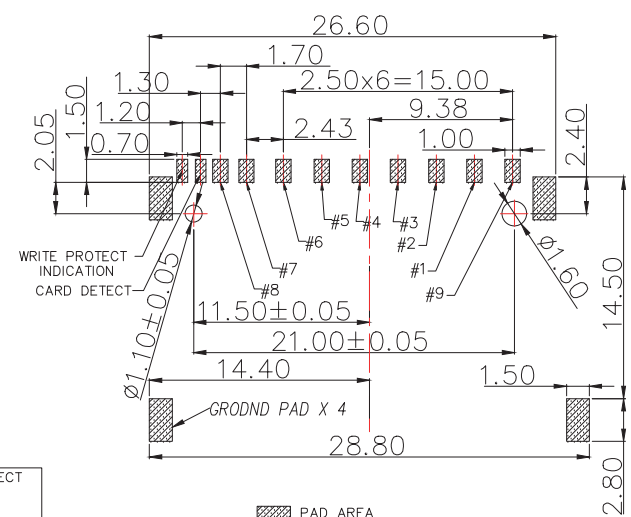
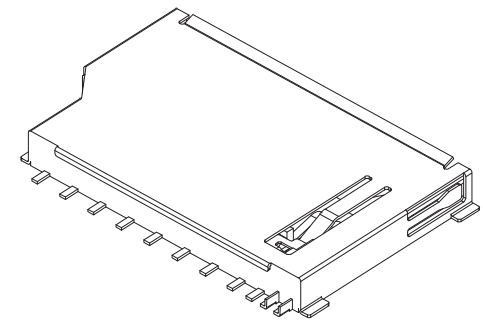


SPECIFICATIONS:

- MECHANICAL:
  - CARD PUSH INSERTION/OUT FORCE: 1.0~4.0KG
  - DURABILITY: 5000 CYCLES
- ELECTRICAL:
  - CURRENT RATING: 0.5A
  - WITHSTANDING VOLTAGE: 500V AC R.M.S.
  - CONTACT RESISTANCE: 100M MAX.
  - INSULATION RESISTANCE: 100M MIN.
- ENVIRONMENTAL
  - TEMPERATURE RANGE -40°C ~ +85°C



Pin#	Name	Type	Description
1	CD/DAT3	I/O/PP	Card Detect/Date Line [Bit3]
2	CMD	PP	Command/Response
3	Vss1	S	Supply voltage ground
4	VDD	S	Supply voltage
5	CLK	I	Clock
6	Vss2	S	Supply voltage ground
7	DAT0	I/O/PP	Date Line [Bit0]
8	DAT1	I/O/PP	Date Line [Bit1]
9	DAT2	I/O/PP	Date Line [Bit2]
10	CD		CARD DETECT
11	WP		WRITE PROTECT



C	SHIELD	1	STAINLESS STEEL 0.20t	Ni PLATING
B	CONTACT	11	COPPER ALLOY 0.20t	Gold Flash On Contact Area Matte-Tin plated on Solder tail All over Nickel Plated .
A	HOUSING	1	THERMOPLASTIC UL94-V0	WHITE
NO	DESCRIPTION	QTY	MATERIAL	PLATING & COLOR

MANUFACTURE DWG

UNLESS OTHERWISE SPECIFIED TOLERANCES

DECIMALS: X.: ±0.50 X.X: ±0.30 X.XX: ±0.20

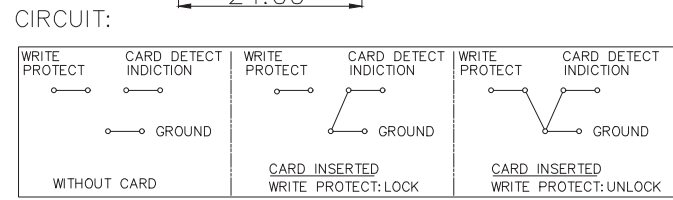
ANGLES: X.: ±2° X.X: ±1°

CUSTOMER COPY

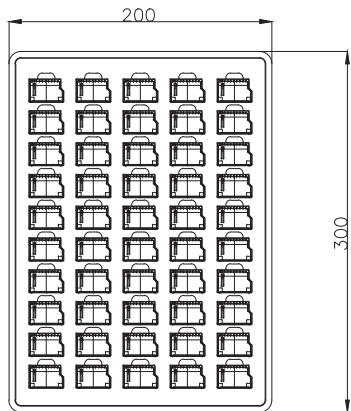
东 莞 市 讯 普 电 子 科 技 有 限 公 司  
DongGuan XunPu Electronics Co.,Ltd

TITLE: SD CARD CONN PUSH SHORT BODY SMT

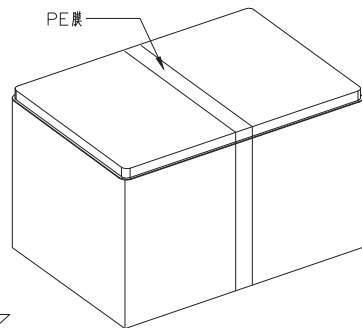
PAR	SD-101
DWN	
CHKD	
APVD	
SCALE: 1:1	UNIT: MM
SIZE: A4	SHEET: 1F1
	REV: A



▨ PAD AREA  
 ■ KEEP OUT AREA  
 RECOMMENDED PCB LAYOUT  
 GENERAL TOLERANCE ±0.05

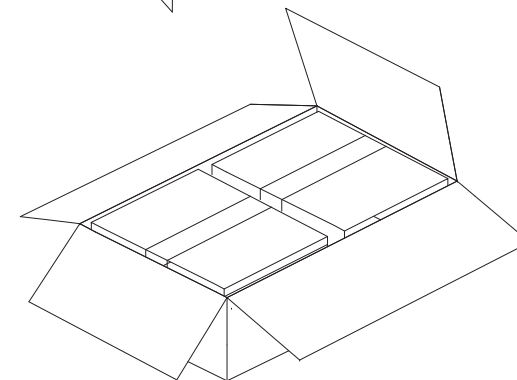
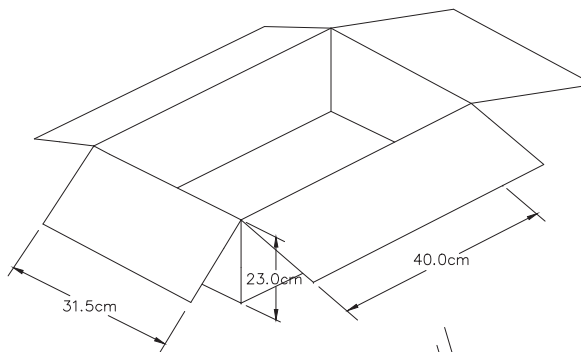
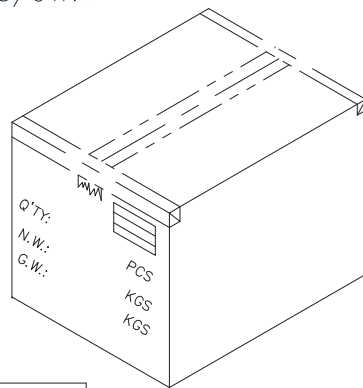


② TRAY  
 SPEC: 20.0cm\*33.0cm  
 QUANTITY: 5X10=50PCS/TRAY



① : CARTON  
 SPEC: 40.0cm\*31.5cm\*23.0cm  
 QUANTITY: 50X20X5=5000PCS/CARTON

NOTE :  
 Q'TY : 5000PCS/CTN  
 N.W. : 6.20 Kg  
 G.W. : 9.50 Kg



PACKING INFORMATION

PART NAME	SD-101-ACP11
QUANTITY OF PER TRAY	50PCS/TRAY
QUANTITY OF PER CARTON	50*100=5000PCS/CARTON
WEIGHT OF PER CARTON (NET WEIGHT)	6.20Kg
GROSS WEIGHT	9.50Kg
SIZE	40.0cm*31.5cm*23.0cm

② TRAY	PVC	100			
① CARTON	K=K	1			
ITEM	DESCRIPTIONs	MATERIAL	FINISH	Q'TY	NOTE
MANUFACTURE DWG		东莞市讯普电子科技有限公司 DongGuan XunPu Electronics Co.,Ltd			
UNLESS OTHERWISE SPECIFIED TOLERANCES		TITLE: SD CARD CONN PUSH SHORT BODY SMT 封装 PAR SD-101 DWN CHKD APVD SCALE:1:1 UNIT: MM SIZE: A4 SHEET: 1F1 REV: A			
DECIMALS:	ANGLES:				
X.: ±0.50	X.: ±2°				
X.X: ±0.30	X.X: ±1°				
X.XX: ±0.20					
CUSTOMER COPY					

## X-ON Electronics

Largest Supplier of Electrical and Electronic Components

*Click to view similar products for [Standard Card Edge Connectors](#) category:*

*Click to view products by [XUNPU](#) manufacturer:*

Other Similar products are found below :

[CR7E-30DB-3.96E\(72\)](#) [6565204-6](#) [1437274-4](#) [EBT15622B2X](#) [1-582587-1](#) [284-0102-12100](#) [286-0052-12101A](#) [306022901000000](#) [307-012-502-202](#) [307-056-520-300](#) [A6D22DS29C2](#) [1926088-2](#) [287-0032-12101](#) [345-060-559-303](#) [392-008-559-201](#) [534671-1](#) [341-240-317](#) [345-044-500-300](#) [346-240-318](#) [387-012-523-300](#) [395-100-524-300](#) [09-07-2032](#) [10035388-802LF](#) [10115859-011LF](#) [10122859-009LF](#) [101269333204245CLF](#) [530555-1](#) [66925-516LF](#) [5145409-2](#) [73726-0005](#) [66308-1](#) [5036A30](#) [PEC-07-02-T-S-A](#) [346-014-520-801](#) [KSLX-62-BR](#) [307-048-502-202](#) [CE100F26-7-C](#) [CE100F28-3-D](#) [CE100F28-4-D](#) [CE156F18-9-C](#) [CE156F22-5-D](#) [CE156F22-9-C](#) [CT100F22-2-D](#) [CT100F22-3-D](#) [CT100F24-2-D](#) [CT100F24-3-D](#) [CT100F24-6-C](#) [CT156F22-4-D](#) [MLSS100-12-C](#) [MLSS100-16-C](#)