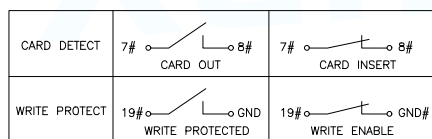
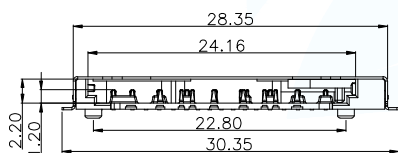


RECOMMENDED PCB LAYOUT
TOLERANCE UNLESS OTHERWISE IS ±0.05



PIN DEFINE:

PIN#	NAME	DESCRIPTION	PIN#	NAME	DESCRIPTION
1	VSS3	GROUND	11	VDD1	SUPPLY VOLTAGE
2	DAT2	DATA LINE BIT2	12	D1-	DIFFERENTIAL DATE 1-
3	D0+	DIFFERENTIAL DATE 0+	13	CLK	CLOCK
4	CD/DAT3	CARD DETECT/DATA LINE BIT3	14	D1+	DIFFERENTIAL DATE 1+
5	D0-	DIFFERENTIAL DATE 0-	15	VSS2	SUPPLY VOLTAGE GROUND
6	CMD	COMMAND/RESPONSE	16	VSS5	GROUND
7	CD	CARD DETECT	17	DAT0	DATA LINE BIT0
8	VSS1	SUPPLY VOLTAGE GROUND	18	DAT1	DATA LINE BIT1
9	VSS4	GROUND	19	WP	WRITE PROTECT
10	VDD2	SUPPLY VOLTAGE(1.8V)			

SPECIFICATION

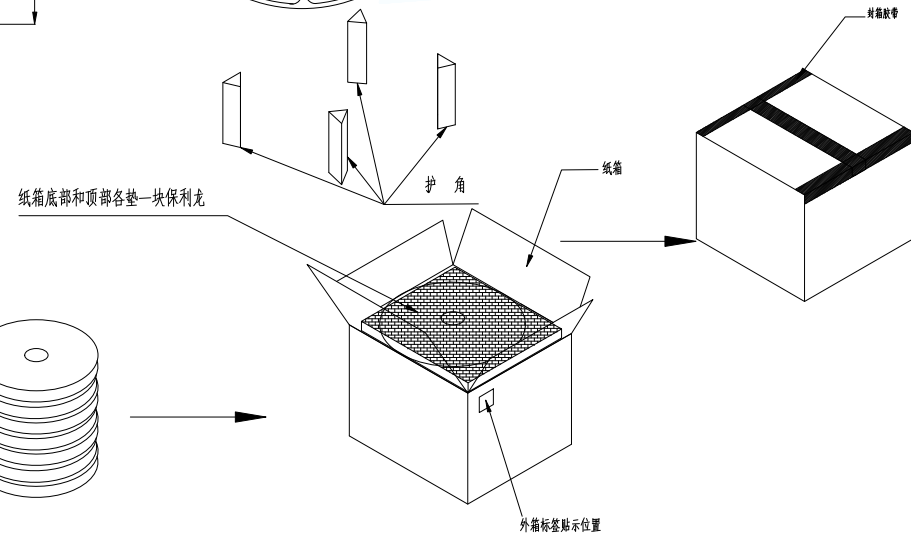
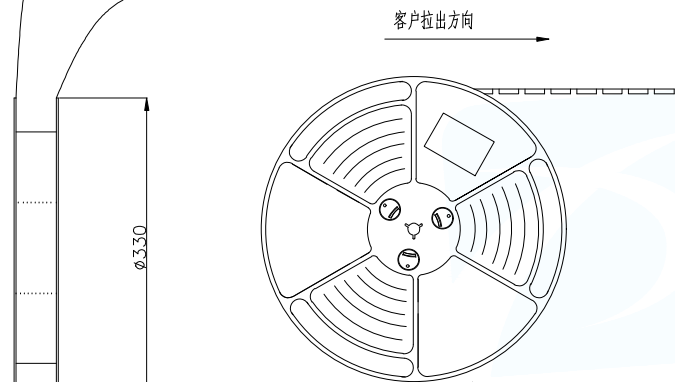
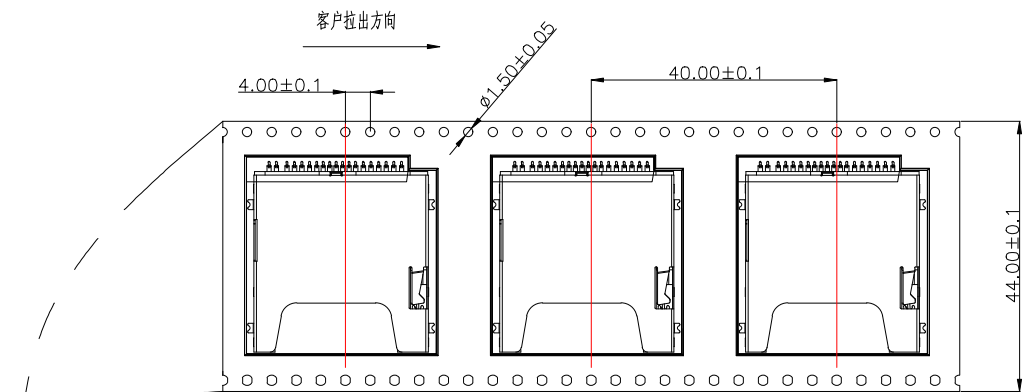
1.Material:

Insulator: LCP, rated UL94V-0,color:black.
Contacts: Phosphor Bronze,
Tin 80u'MIN at Solder Tail,
Selected Gold on Contact Area Plating.
Shell: Stainless.
Gold at Solder Tail,
Over Nickel Plating.

2.Electrical Characteristics:

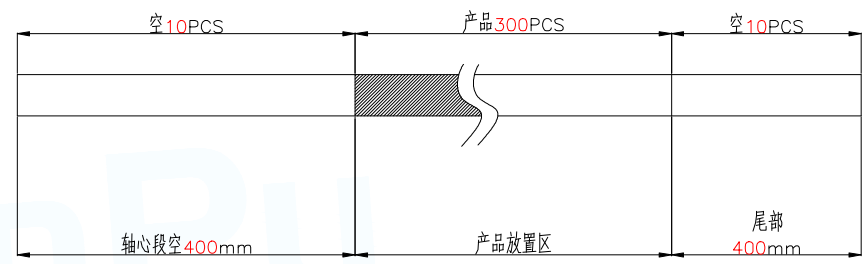
Operating voltage : 500V(AC/DC).
Current rating : 1.0 A.
Operating Temperature: -25°C~+85°C.
Insulation resistance: 1000M ohms min. at 250VDC
Dielectric withstanding voltage:500 VAC/1minute.
Contact resistance: 100m ohms max.
Mating cycle: 5000 cycles, spring is not breaking.

MANUFACTURE DWG			东莞市讯普电子科技有限公司 DongGuan XunPu Electronics Co.,Ltd	
UNLESS OTHERWISE SPECIFIED TOLERANCES			TITLE: SD 4.0 CARD PUSHH CONN.	
DECIMALS:	ANGLES:	PAR	SD-401-ACP19	
.X:±0.30	X':±2'	DWN		
.XX:±0.20	X.X':±1'	CHKD		
.XXX:±0.10		APVD		
Website address		SCALE1:1	UNIT:MM	
		SIZE:A4	SHEET:1F1	REV:A



NOTES

1. 每卷包装数量: 300PCS/每卷
2. 卷带包装方式:



3. 每箱包装数量: 1800PCS/箱

MANUFACTURE DWG		 东莞市讯普电子科技有限公司 DongGuan XunPu Electronics Co.,Ltd	TITLE: SD 4.0 CARD PUSHH CONN.	
UNLESS OTHERWISE SPECIFIED TOLERANCES			PAR	SD-401-ACP19
DECIMALS:	ANGLES:	DWN		
.X:±0.30	X.':±2'	CHKD		
.XX:±0.20	X.X':±1"	APVD		
.XXX:±0.10		SCALE1:1	UNIT:MM	
Website address		SIZE:A4	SHEET:1F1	REV:A



X-ON Electronics

Largest Supplier of Electrical and Electronic Components

Click to view similar products for [Memory Card Connectors](#) category:

Click to view products by [XUNPU](#) manufacturer:

Other Similar products are found below :

[6407-249V-25273P](#) [6407-249V-25343P](#) [6426-201-21343](#) [69.920.0553.0](#) [MCR60A-98D-2.54DSA\(70\)](#) [809180410000000](#) [DM3AT-SF-PEJM5\(41\)](#) [IC11S-BUR-PNEJL\(71\)](#) [C70210M0083692](#) [2041353-2](#) [308-DS1P0811-192](#) [HM2P09PDR360N9LF](#) [10014744-011TLF](#) [11327-001](#) [11327-002](#) [NX1-32T-KT3K\(05\)](#) [95622-003LF](#) [84648-056HLF](#) [CCM03-3109 B LFT](#) [MS3116J10-6PW](#) [2309923-1](#) [61126-050CAHLF](#) [GTFP08432B1HR](#) [G85D1160022HHR](#) [SCE2MSDZN76A121SN](#) [10014744-011ALF](#) [10014744-011LF](#) [10057542-1211FLF](#) [10067972-000LF](#) [10067972-050LF](#) [10122302-20110LF](#) [G85D1162022HHR](#) [TF-05A](#) [M6014-12](#) [XKNANO-1412](#) [SMN-304-ARP6](#) [MIS11-S1F1-2000-A](#) [SMN-308-ARSP7](#) [MCS-302S-KT1B](#) [SMN-308-ACSP7](#) [K-DYX-008](#) [K-DYX-004](#) [HYCW126-TF18-150B](#) [C7024-03](#) [SMO-1030](#) [MCS-110-KT](#) [SIM-217](#) [SNO-1355-KT](#) [SMO-1025-P10](#) [SIM-211S-P6](#)