

RECOMMENDER PCB LAYOUT
TOLERANCE UNLESS OTHERWISE IS ±0.05

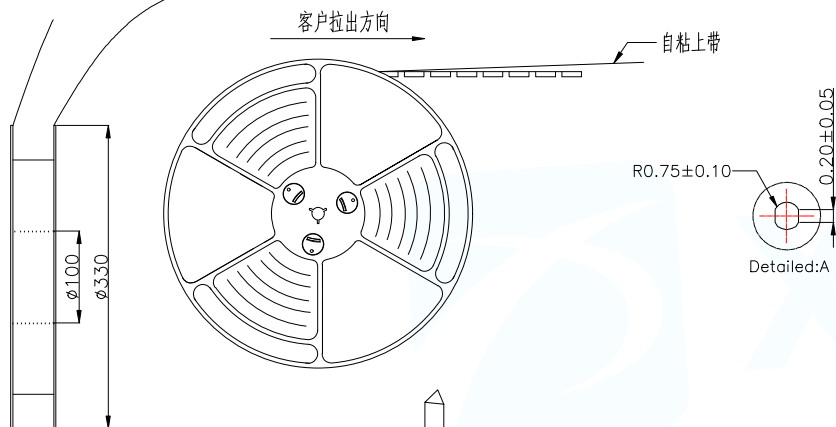
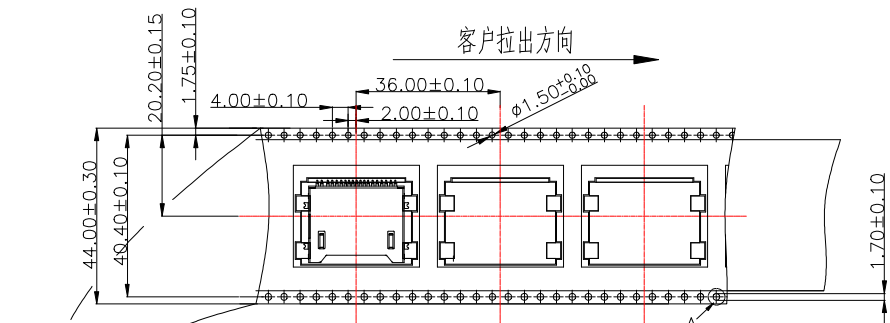
- PAD AREA
- GND PATTERN ONLY
- KEEP OUT AREA
- NO COPPER AREA (NO Trace&Via&GND)

NOTES:
MATERIAL:
Insulator: High Temperature Thermoplastic(Lcp),
Contact: Copper Alloy(C5191)
Shell: STAINLESS(SUS 304)
PLATING:
Contact: Plated Ni , contact point gold plated G/F, welding feet Matte tin
Shell: Plated Ni Overall Plated G/F Selective Contact Area
Electrical:
1.All Dimensions are in Millimeters.
2.Operation voltage: 30 VAC max.
3.Current rating : 1 Amps max.
4.Contact resistance: 100m ohms max.
5.Insulation resistance: 1000M ohms min. 500 VDC
6.Dielectric withstanding voltage: 500 VAC / 1minute
7.Operating Temperature: -20°C to +60°C
8.Storage Temperature: -40°C to +70°C
9.Durability 5000 cycles.

PIN DEFINE:

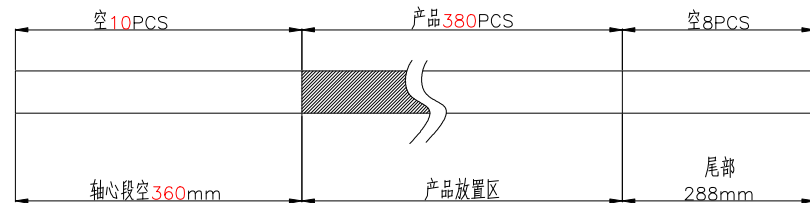
PIN#	NAME	DESCRIPTION	PIN#	NAME	DESCRIPTION
1	VSS3	GROUND	11	VDD1	SUPPLY VOLTAGE
2	DAT2	DATA LINE BIT2	12	D1-	DIFFERENTIAL DATE 1-
3	D0+	DIFFERENTIAL DATE 0+	13	CLK	CLOCK
4	CD/DAT3	CARD DETECT/DATA LINE BIT3	14	D1+	DIFFERENTIAL DATE 1+
5	D0-	DIFFERENTIAL DATE 0-	15	VSS2	SUPPLY VOLTAGE GROUND
6	CMD	COMMAND/RESPONSE	16	VSS5	GROUND
7	CD	CARD DETECT	17	DAT0	DATA LINE BIT0
8	VSS1	SUPPLY VOLTAGE GROUND	18	DAT1	DATA LINE BIT1
9	VSS4	GROUND	19	WP	WRITE PROTECT
10	VDD2	SUPPLY VOLTAGE(1.8V)			

MANUFACTURE DWG				
UNLESS OTHERWISE SPECIFIED TOLERANCES			TITLE: SD 4.0板上 NO PUSH 卡座	
DECIMALS:	ANGLES:	PAR	SD-402-ACP19	
.X:±0.30	X':±2'	DWN		
.XX:±0.20	X.X':±1'	CHKD		
.XXX:±0.10		APVD		
Website address		SCALE1:1	UNIT:MM	
		SIZE:A4	SHEET:1F1	REV:A



NOTES

1. 每卷包装数量: 380PCS/每卷
2. 卷带包装方式:

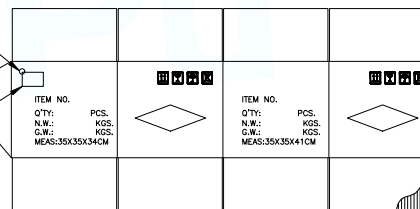


3. 每箱包装数量: 3040PCS/箱

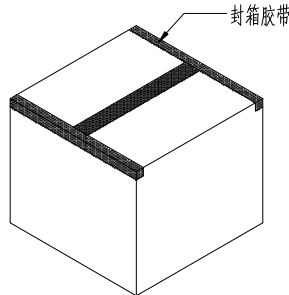
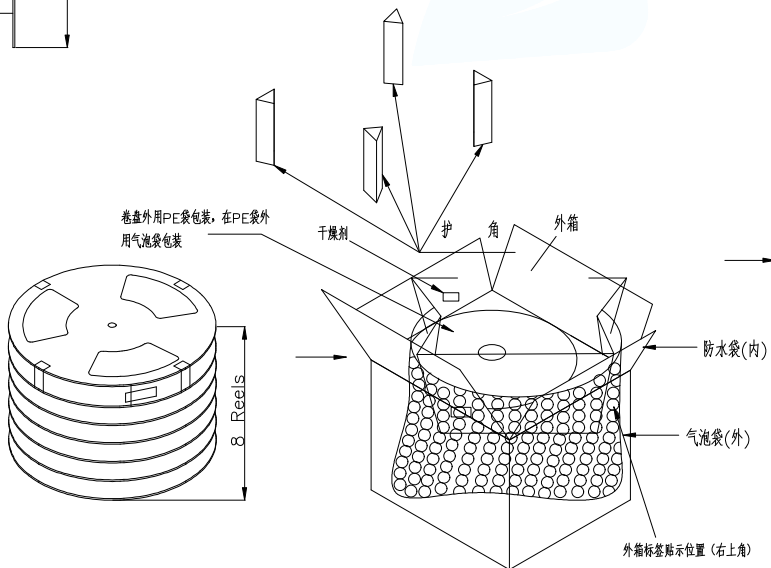
4. 纸箱 350mm*350mm*410mm, 材质K=K

RoHS绿色环保标签

标签贴在纸箱左上角



纸箱示意图



MANUFACTURE DWG		 东莞市讯普电子科技有限公司 DongGuan XunPu Electronics Co., Ltd	
UNLESS OTHERWISE SPECIFIED TOLERANCES		TITLE: SD 4.0板上 NO PUSH 卡座	
DECIMALS:	ANGLES:	PAR	SD-402-ACP19
.X:±0.30	X.' :±2'	DWN	
.XX:±0.20	X.X' :±1'	CHKD	
.XXX:±0.10		APVD	
Website address		SCALE1:1	UNIT:MM
		SIZE:A4	SHEET:1F1
			REV:A



X-ON Electronics

Largest Supplier of Electrical and Electronic Components

Click to view similar products for [Memory Card Connectors](#) category:

Click to view products by [XUNPU](#) manufacturer:

Other Similar products are found below :

[6407-249V-25273P](#) [6407-249V-25343P](#) [6426-201-21343](#) [69.920.0553.0](#) [MCR60A-98D-2.54DSA\(70\)](#) [809180410000000](#) [DM3AT-SF-PEJM5\(41\)](#) [IC11S-BUR-PNEJL\(71\)](#) [C70210M0083692](#) [2041353-2](#) [308-DS1P0811-192](#) [HM2P09PDR360N9LF](#) [10014744-011TLF](#) [11327-001](#) [11327-002](#) [NX1-32T-KT3K\(05\)](#) [95622-003LF](#) [84648-056HLF](#) [CCM03-3109 B LFT](#) [MS3116J10-6PW](#) [2309923-1](#) [61126-050CAHLF](#) [GTFP08432B1HR](#) [G85D1160022HHR](#) [SCE2MSDZN76A121SN](#) [10014744-011ALF](#) [10014744-011LF](#) [10057542-1211FLF](#) [10067972-000LF](#) [10067972-050LF](#) [10122302-20110LF](#) [G85D1162022HHR](#) [TF-05A](#) [M6014-12](#) [XKNANO-1412](#) [SMN-304-ARP6](#) [MIS11-S1F1-2000-A](#) [SMN-308-ARSP7](#) [MCS-302S-KT1B](#) [SMN-308-ACSP7](#) [K-DYX-008](#) [K-DYX-004](#) [HYCW126-TF18-150B](#) [C7024-03](#) [SMO-1030](#) [MCS-110-KT](#) [SIM-217](#) [SNO-1355-KT](#) [SMO-1025-P10](#) [SIM-211S-P6](#)