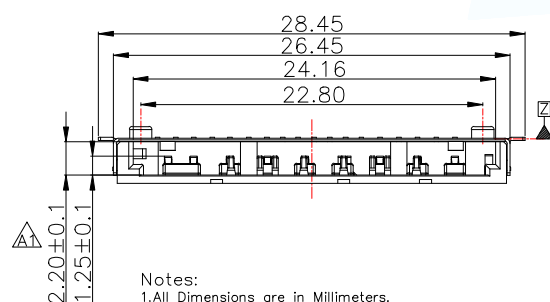


RECOMMENDED PCB LAYOUT
TOLERANCE UNLESS OTHERWISE IS ±0.05

- :PAD AREA
- :GND PATTERN ONLY
- :KEEP OUT AREA
- :NO COPPER AREA (NO Trace&Via&GND)

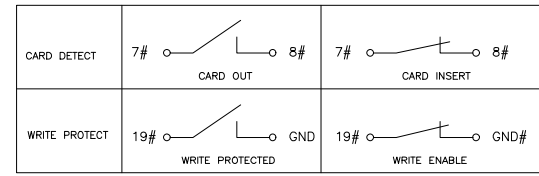
PIN DEFINE:

PIN#	NAME	DESCRIPTION	PIN#	NAME	DESCRIPTION
1	VSS3	GROUND	11	VDD1	SUPPLY VOLTAGE
2	DAT2	DATA LINE BIT2	12	D1-	DIFFERENTIAL DATE 1-
3	D0+	DIFFERENTIAL DATE 0+	13	CLK	CLOCK
4	CD/DAT3	CARD DETECT/DATA LINE BIT3	14	D1+	DIFFERENTIAL DATE 1+
5	D0-	DIFFERENTIAL DATE 0-	15	VSS2	SUPPLY VOLTAGE GROUND
6	CMD	COMMAND/RESPONSE	16	VSS5	GROUND
7	CD	CARD DETECT	17	DAT0	DATA LINE BIT0
8	VSS1	SUPPLY VOLTAGE GROUND	18	DAT1	DATA LINE BIT1
9	VSS4	GROUND	19	WP	WRITE PROTECT
10	VDD2	SUPPLY VOLTAGE(1.8V)			

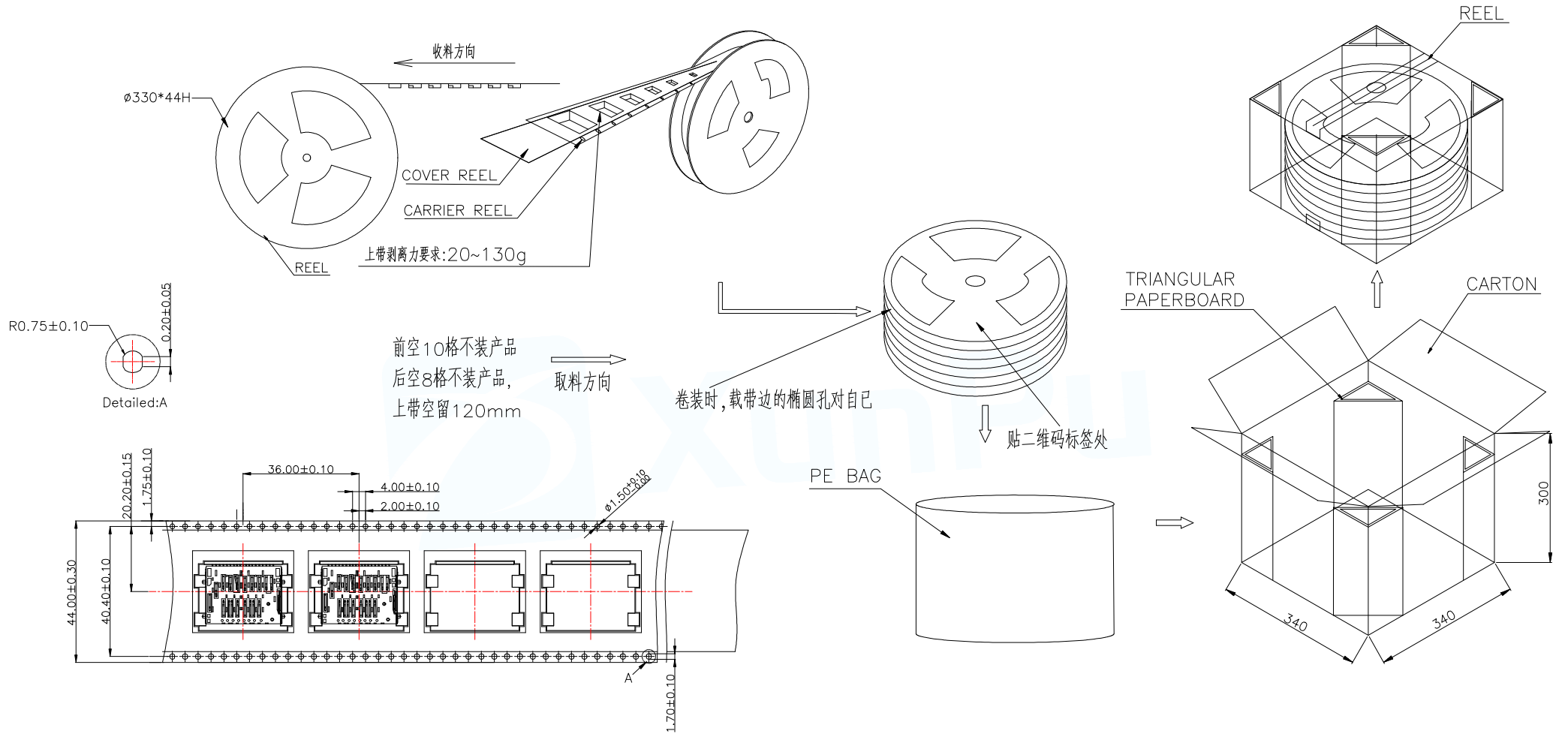


Notes:

- 1.All Dimensions are in Millimeters.
 - 2.Operation voltage: 10 VAC max.
 - 3.Current rating : 1 Amps max.
 - 4.Contact resistance: 100m ohms max.
 - 5.Insulation resistance: 1000M ohms min. 500 VDC
 - 6.Dielectric withstanding voltage: 500 VAC / 1minute
 - 7.Operating Temperature: -20°C to +60°C
 - 8.Storage Temperature: -40°C to +70°C
 - 9.Durability 10000 cycles.
 - 10.Humidity 80% R.H MAX
 - 11.Resistance to Reflow:260+0/-5°C, 20~40sec.
- 1).MATERIAL:
HOUSING:HI-TEMP. PLASIC UL 94V-0
CONTACT:COPPER ALLOY
SHELL:STAINLESS STEEL
- 2). PLATING :
TERMINAL:
CONTACT AREA: Au GOLD FLASH.
SOLDER AREA: MATTE TIN PLATED.
UNDER PLATE: NICKEL.
SHELL: NICKEL PLATED OVER ALL.
SOLDER AREA: GOLD FLASH.



MANUFACTURE DWG			 东莞市讯普电子科技有限公司 DongGuan XunPu Electronics Co.,Ltd	
UNLESS OTHERWISE SPECIFIED TOLERANCES			TITLE: MicroSD 4.0 H2.25卡座客户图	
DECIMALS:	ANGLES:	PAR	SD-403-ACP19	
.X:±0.30	X':±2'	DWN		
.XX:±0.20	X.X':±1'	CHKD		
.XXX:±0.10		APVD		
	Website address	SCALE1:1	UNIT:MM	
		SIZE:A4	SHEET:1F1	
			REV:A	



前空10格不装产品
后空8格不装产品,
上带空留120mm

卷装时,载带边的椭圆孔对自己

贴二维码标签处

PACKING INFORMATION

QUANTITY OF PER REEL	350PCS/REEL
QUANTITY OF PER CARTON	6*350=2100PCS/CARTON
REEL TYPE	ø330x44H
CARTON SIZE	340*340*300

MANUFACTURE DWG			 东莞市讯普电子科技有限公司 DongGuan XunPu Electronics Co.,Ltd	
UNLESS OTHERWISE SPECIFIED TOLERANCES			TITLE: MicroSD 4.0 H2.25卡座客户图	
DECIMALS:	ANGLES:		PAR	SD-403-ACP19
.X:±0.30	X.':±2'		DWN	
.XX:±0.20	X.X':±1'		CHKD	
.XXX:±0.10			APVD	
		Website address	SCALE1:1	UNIT:MM
			SIZE:A4	UNIT:MM
			SHEET:1F1	REV:A

X-ON Electronics

Largest Supplier of Electrical and Electronic Components

Click to view similar products for [Memory Card Connectors](#) category:

Click to view products by [XUNPU](#) manufacturer:

Other Similar products are found below :

[6407-249V-25273P](#) [6407-249V-25343P](#) [6426-201-21343](#) [69.920.0553.0](#) [MCR60A-98D-2.54DSA\(70\)](#) [809180410000000](#) [DM3AT-SF-PEJM5\(41\)](#) [IC11S-BUR-PNEJL\(71\)](#) [C70210M0083692](#) [2041353-2](#) [308-DS1P0811-192](#) [HM2P09PDR360N9LF](#) [10014744-011TLF](#) [11327-001](#) [11327-002](#) [NX1-32T-KT3K\(05\)](#) [95622-003LF](#) [84648-056HLF](#) [CCM03-3109 B LFT](#) [MS3116J10-6PW](#) [2309923-1](#) [61126-050CAHLF](#) [GTFP08432B1HR](#) [G85D1160022HHR](#) [SCE2MSDZN76A121SN](#) [10014744-011ALF](#) [10014744-011LF](#) [10057542-1211FLF](#) [10067972-000LF](#) [10067972-050LF](#) [10122302-20110LF](#) [G85D1162022HHR](#) [TF-05A](#) [M6014-12](#) [XKNANO-1412](#) [SMN-304-ARP6](#) [MIS11-S1F1-2000-A](#) [SMN-308-ARSP7](#) [MCS-302S-KT1B](#) [SMN-308-ACSP7](#) [K-DYX-008](#) [K-DYX-004](#) [HYCW126-TF18-150B](#) [C7024-03](#) [SMO-1030](#) [MCS-110-KT](#) [SIM-217](#) [SNO-1355-KT](#) [SMO-1025-P10](#) [SIM-211S-P6](#)