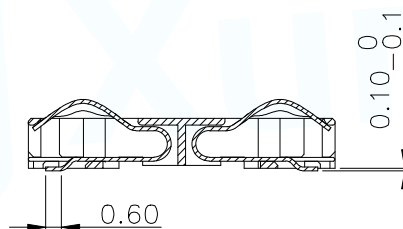
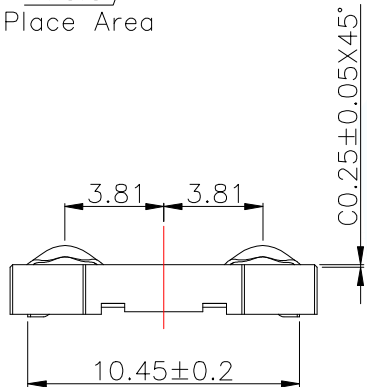


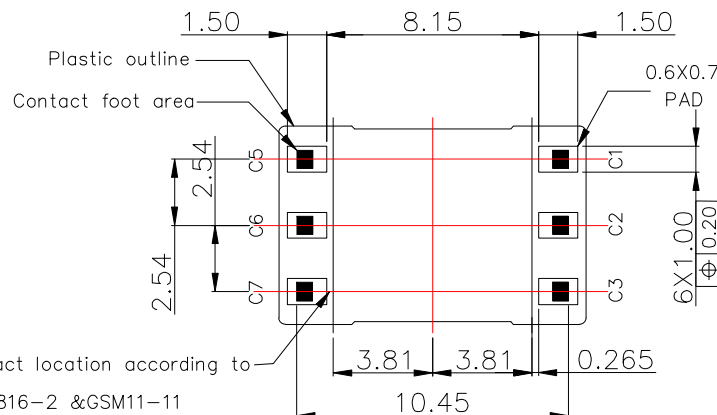
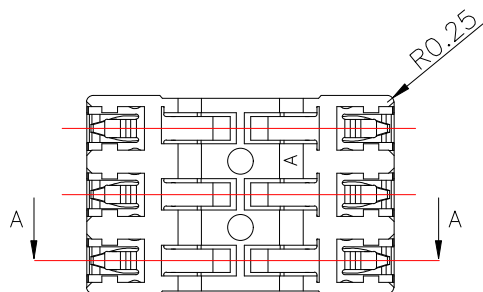
Pick And Place Area



SECTION A-A

SPECIFICATION

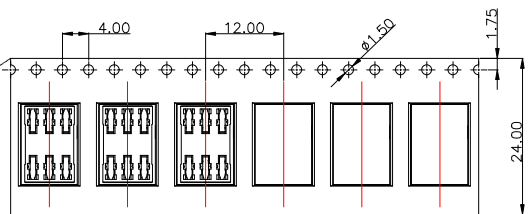
- Material & Finish:
Insulation:Thermoplastic UL94 V-0
Contact:Copper Alloy.Cold Plated 3u" Over Nickel
Tin Plated On Tails
- Electrical Characteristics
Switching Current:10uA min./1A max.
Contact Resistance:100 Milliohms Max.
Insulation Resistance:1000 Megohms Min.
Dielectric strength:500 Vrms min.
- Mechanical Characteristics
Mechanical life :20,000 Mating Cycles Min.
Contact Force:0.25N min./0.5N max.
(At Contact Travel=0.45mm)
- Environmental Characteristics
Operating Temperature:-40°C to +85°C
Resistance to soldering Heat:
IR Re-Flow :260 °C 10 Sec. Max
EIA-364-56A
Humidity:96 Hours ,EIA-364-31B.
Salt Spray :24 Hours, EIA-364-26B.
- Rohs Compliant



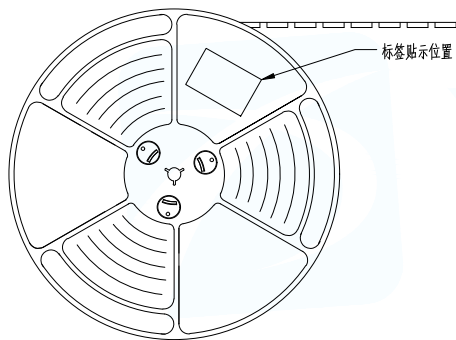
Contact location according to ISO 7816-2 & GSM11-11

Reference P.C.B. Layout(Tolerance: ±0.10mm)

MANUFACTURE DWG			 东莞市讯普电子科技有限公司 DongGuan XunPu Electronics Co.,Ltd	
UNLESS OTHERWISE SPECIFIED TOLERANCES			TITLE: Sim Block 6P	
DECIMALS:	ANGLES:	PAR	SIM-100-ARP6	
.X:±0.30	X':±2'	DWN		
.XX:±0.20	X.X':±1'	CHKD		
.XXX:±0.10		APVD		
Website address		SCALE1:1	UNIT:MM	
		SIZE:A4	SHEET:1F1	REV:A

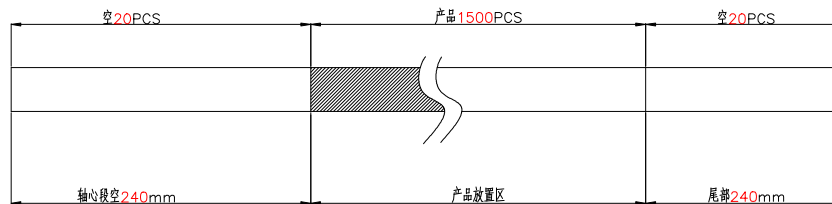


客户拉出方向

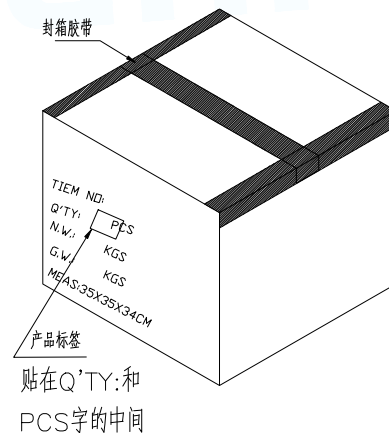
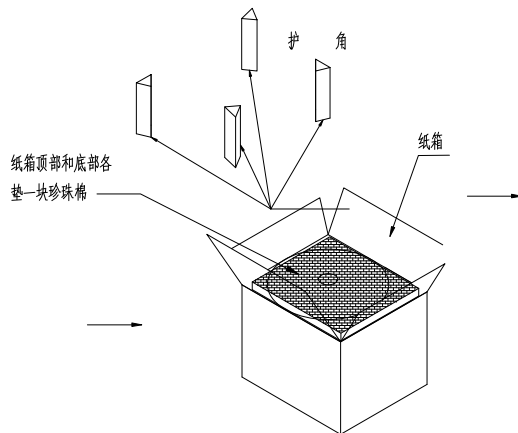
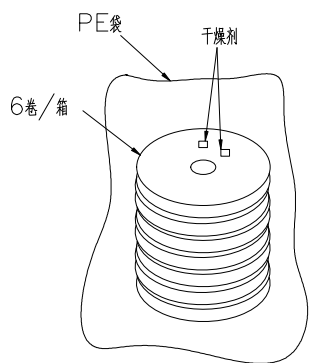


NOTES

1. 每卷包装数量: 1500PCS/每卷
2. 卷带包装方式:



3. 每箱包装数量: 9000PCS/箱



MANUFACTURE DWG			东莞市讯普电子科技有限公司 DongGuan XunPu Electronics Co.,Ltd	
UNLESS OTHERWISE SPECIFIED TOLERANCES			TITLE: Sim Block 6P	
DECIMALS:	ANGLES:	PAR	SIM-100-ARP6	
.X:±0.30	X.'':±2'	DWN		
.XX:±0.20	X.X'':±1"	CHKD		
.XXX:±0.10		APVD		
		SCALE 1:1	UNIT:MM	
		SIZE:A4	SHEET:1F1	REV:A
		Website address		

X-ON Electronics

Largest Supplier of Electrical and Electronic Components

Click to view similar products for [Memory Card Connectors](#) category:

Click to view products by [XUNPU](#) manufacturer:

Other Similar products are found below :

[M21-033321-005](#) [6407-249V-25273P](#) [6407-249V-25343P](#) [69.920.0553.0](#) [MCR60A-98D-2.54DSA\(70\)](#) [809180410000000](#) [DM3AT-SF-PEJM5\(41\)](#) [IC11S-BUR-PNEJL\(71\)](#) [252-0144-000](#) [2041353-2](#) [308-DS1P0811-192](#) [HM2P09PDR360N9LF](#) [10014744-011TLF](#) [11327-001](#) [11327-002](#) [617230001](#) [NX1-32T-KT3K\(05\)](#) [95622-003LF](#) [N7E50-U516RB-50-SIN0005](#) [84648-056HLF](#) [68-580163-21S](#) [93-570123-08P](#) [CCM03-3109 B LFT](#) [2309923-1](#) [61126-050CAHLF](#) [IC1GA-68PD-1.27DS-EJ\(72\)](#) [GTFP08432B1HR](#) [SCE2MSDZN76A121SN](#) [10014744-011ALF](#) [10014744-011LF](#) [10057542-1211FLF](#) [10067972-000LF](#) [10067972-050LF](#) [10122302-20110LF](#) [G85D1162022HHR](#) [MUP-C7809-1](#) [NANO SIM 7P H1.37](#) [MICRO SIM 7P H1.35](#) [TF-CARD H1.8 SY](#) [MICRO SIM 6P H1.35](#) [TF-CARD H1.8](#) [TF-115Y-BCP9](#) [TF-115YY-ACP9](#) [SMN-309-ARP6](#) [TF-115Y-ACP9](#) [TF-108-ARP10](#) [SMN-303S-ACP7](#) [SNO-14100](#) [SD-112S](#) [MUP-C7804-1](#)