

SPECIFICATION

MATERIAL:
 INSULATOR: HIGH TEMPERATURE THERMOPLASTIC,
 UL 94V-0.COLOR"BLACK LCP
 CONTACT: COPPER ALLOY
 PLATING:
 CONTACT: PLATED 30U" NI OVERALL
 PLATED AU SELECTIVE CONTACT AREA
 SHELL: PLATED 30U" NI OVERALL,PAD G/F AU
 ELECTRICAL:
 CURRENT RATING: 0.5AMPS
 VOLTAGE RATING: 5V AC/DC
 AMBIENT TEMPERATURE RANGE: -20°C~+60°C
 STORAGE TEMPERATURE RANGE: -40°C~+80°C
 AMBIENT HUMIDITY RANGE: 95% R.H. MAX.
 CONTACT RESISTANCE: 100MΩMAX.
 INSULATION RESISTANCE: 1000MΩMIN./500VDC
 MATING CYCLES: 5,000 INSERTIONS
 REFLOW PEAK TEMP: 260°C

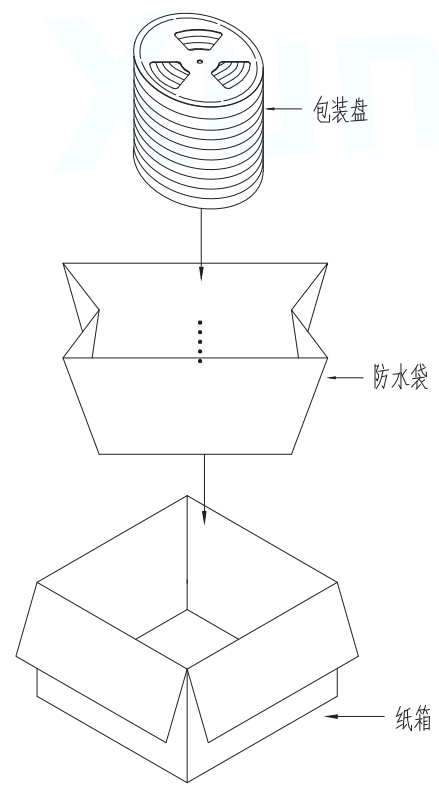
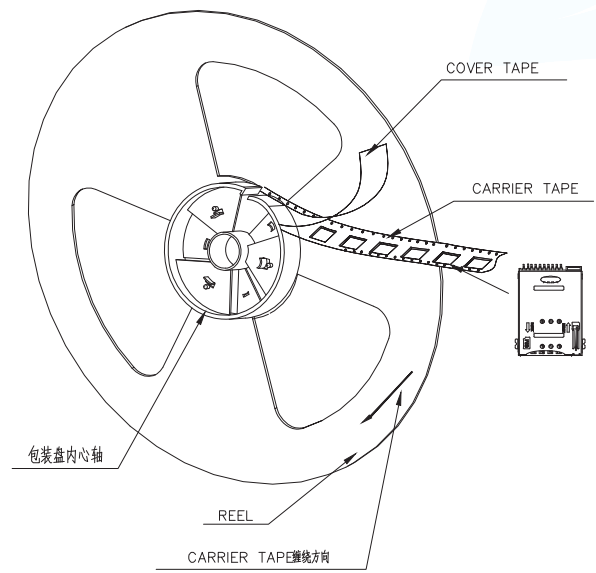
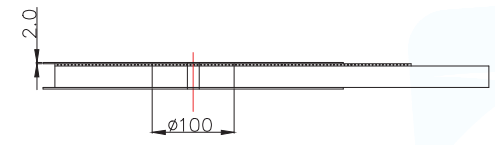
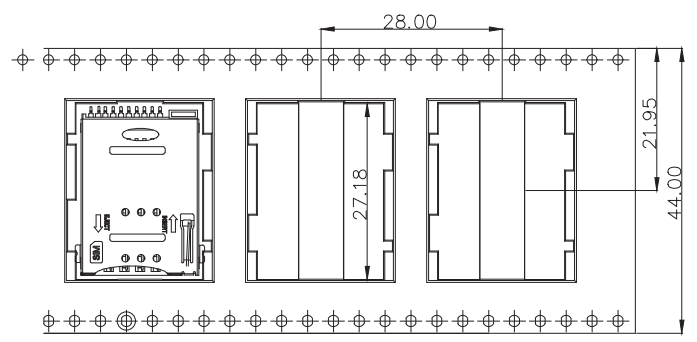
MINI SIM CARD	
Pin No.	NAME
C1	VCC OF SIM
C2	RST OF SIM
C3	CLK OF SIM
C5	GND OF SIM
C6	VPP OF SIM
C7	I/O OF SIM
C4/C8	N/A
SW1	DETECTION SWITCH1
SW2	DETECTION SWITCH2

MANUFACTURE DWG		东莞市讯普电子科技有限公司 DongGuan XunPu Electronics Co.,Ltd	
UNLESS OTHERWISE SPECIFIED TOLERANCES			TITLE: MINI SIM CARD PUSH PUSH 8+2P SMT无柱
DECIMALS:	ANGLES: ±1°		PAR SIM-118
X.X: ±0.25			DWN
X.XX: ±0.10			CHKD
X.XXX: ±0.05		APVD	SCALE1:1 UNIT: MM
CUSTOMER COPY		SIZE: A4	SHEET: 1F1 REV: A

PAD AREA
 KEEP OUT AREA
 RECOMMENDED PCB LAYOUT
 GENERAL TOLERANCE ±0.05

Circuit Diagram for Detect Switch





- 一:
1. 将成品一一放入包装盘内, 依同一方向放入
 2. 包装时, 如图所示.
 3. 一个包装然放置700个成品
- 二:
1. 一只纸箱可放置3个或5个包装盘
 2. 一只纸箱可放2100PCS 或4200PCS 的成品
 3. 将成品放入包装盘内包装完后再装箱

- Note: PULL OUT DIRECTION
1. 10 sprocket hole pitch cumulative tolerance ± 0.2
 2. Carrier camber is within 1 mm in 250mm.
 3. Material: Black Conductive Polystyrene Alloy 100
 4. All dimensions meet EIA-481-B requirements.
 5. Thickness: 0.3 ± 0.05 mm.
 6. Component load per 13" reel: 700 pcs.
 7. A box of 3 volumes, 2100PCS
 8. 纸箱规格一: 345*345*165, 纸箱重为300g, (一箱装2100PCS)
 9. 纸箱规格二: 345*345*315, 纸箱重为500g, (一箱装4200PCS)
 10. 重量: 每盘700PCS重1470g, 每Pcs重1.3g/Pcs

MANUFACTURE DWG		东莞市讯普电子科技有限公司 DongGuan XunPu Electronics Co., Ltd	
UNLESS OTHERWISE SPECIFIED TOLERANCES			TITLE: MINI SIM CARD PUSH PUSH 8+2P SMT无柱 包装图
DECIMALS:	ANGLES: $\pm 1^\circ$		PAR SIM-118
X.X: ± 0.25			DWN
X.XX: ± 0.10			CHKD
X.XXX: ± 0.05		APVD	SCALE: 1:1 UNIT: MM
CUSTOMER COPY		SIZE: A4	SHEET: 1F1 REV: A

X-ON Electronics

Largest Supplier of Electrical and Electronic Components

Click to view similar products for [Standard Card Edge Connectors](#) category:

Click to view products by [XUNPU](#) manufacturer:

Other Similar products are found below :

[CR7E-30DB-3.96E\(72\)](#) [6565204-6](#) [1437274-4](#) [EBT15622B2X](#) [1-582587-1](#) [284-0102-12100](#) [286-0052-12101A](#) [306022901000000](#) [307-012-502-202](#) [307-056-520-300](#) [A6D22DS29C2](#) [1926088-2](#) [287-0032-12101](#) [345-060-559-303](#) [392-008-559-201](#) [534671-1](#) [341-240-317](#) [345-044-500-300](#) [346-240-318](#) [387-012-523-300](#) [395-100-524-300](#) [09-07-2032](#) [10035388-802LF](#) [10115859-011LF](#) [10122859-009LF](#) [101269333204245CLF](#) [530555-1](#) [66925-516LF](#) [5145409-2](#) [73726-0005](#) [66308-1](#) [5036A30](#) [PEC-07-02-T-S-A](#) [346-014-520-801](#) [KSLX-62-BR](#) [307-048-502-202](#) [CE100F26-7-C](#) [CE100F28-3-D](#) [CE100F28-4-D](#) [CE156F18-9-C](#) [CE156F22-5-D](#) [CE156F22-9-C](#) [CT100F22-2-D](#) [CT100F22-3-D](#) [CT100F24-2-D](#) [CT100F24-3-D](#) [CT100F24-6-C](#) [CT156F22-4-D](#) [MLSS100-12-C](#) [MLSS100-16-C](#)