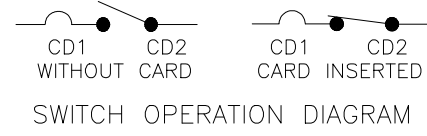


PIN NO.	DESCRIPTION
P1#	C1:VCC
P2#	C5:GND
P3#	C2:RST
P4#	C6:VPP
P5#	C3:CLK
P6#	C7:I/O
P7#	CD1/CD2
P8#	

RECOMMENDED P.C.B LAYOUT
COMPONENT SIDE(TOLERANCE ±0.05)

/// PAD AREA
- - - KEEP AREA
XXXXX KEEP OUT AREA

ELECTRIC FUNCTION	DETECT SWITCH
WITHOUT CARD	OPEN
CARD INSERTED	CLOSED



NOTES:

MATERIAL:

Insulator: High Temperature Thermoplastic, UL 94V-0.
Contact: Copper Alloy
CD PIN: Copper Alloy
Shell: STAINLESS

Electrical:

Current Rating :0.5mA AC/DC max.
Voltage Rating :10V AC/DC
Ambient Temperature Range :-40°C~+85°C
Storage Temperature Range :-40°C~+85°C
Ambient Humidity Range :95% R.H. Max.
Contact Resistance:100mΩ max.
Insulation Resistance:1000MΩ min./500VDC
Mating Cycles:5,000 Insertions
Temperature: 260°C ±5°

ITEM	PART NAME	Q'TY	MATERIAL	FINISH
1	HOUSING	1	Hi-temp thermoplastic	Black UI94V-0
2	SHELL	1	Stainless Steel	SMT area:Gold plated
3	DATA CONTACT	1	Copper Alloy	Contact area:Gold plated
4	HEART CAM	1	Hi-temp thermoplastic	Black UL94V-0
5	COLL SPRING	1	SWP.	
6	CAM PIN	1	Stainless Steel	
7	CD2 SWITCH	1	Copper Alloy	Contact area Gold plated

MANUFACTURE DWG

东莞市讯普电子科技有限公司
DongGuan XunPu Electronics Co.,Ltd

UNLESS OTHERWISE SPECIFIED TOLERANCES

DECIMALS: .X:±0.30 .XX:±0.20 .XXX:±0.10

ANGLES: X.':±2° X.X':±1°

Website address



TITLE:
SIM PUSH H1.8 6+2 无客户图

PAR SIM-132-ARP8

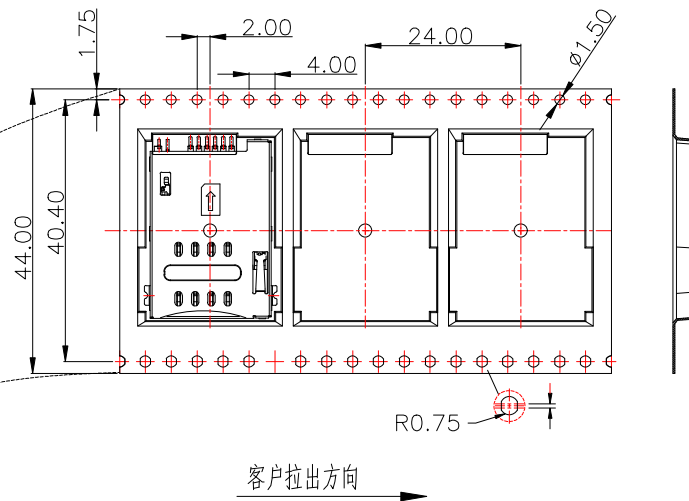
DWN

CHKD

APVD

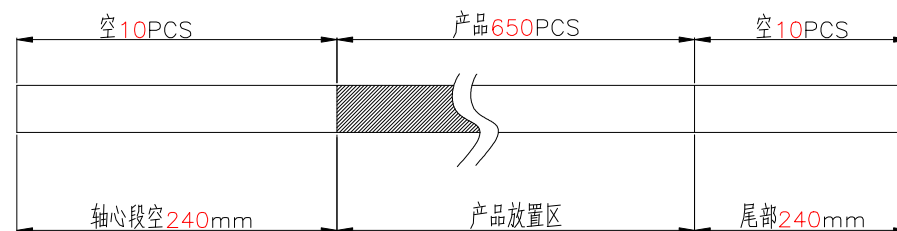
SCALE1:1 UNIT:MM

SIZE:A4 SHEET:1F1 REV:A

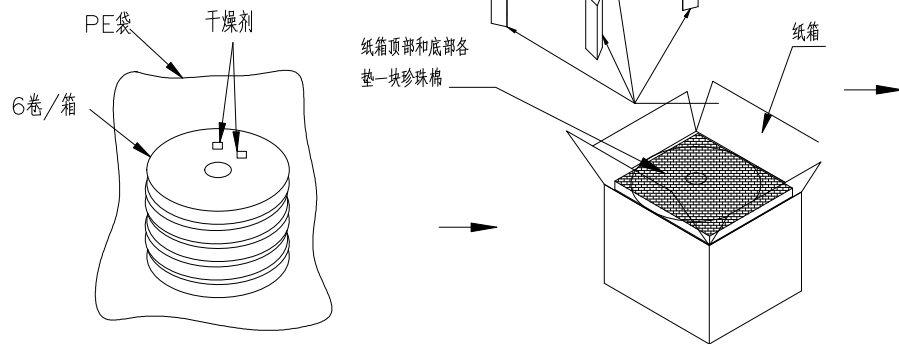
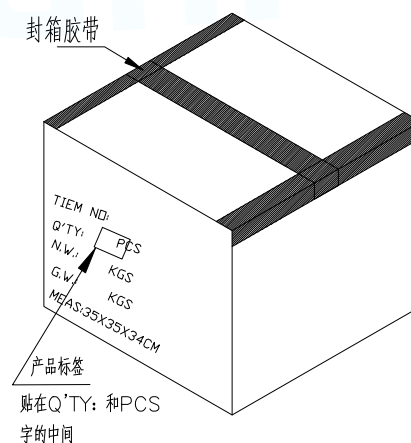
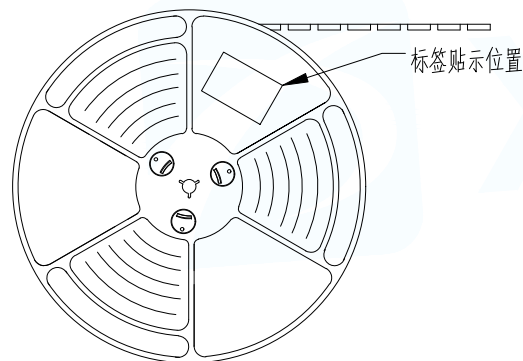


NOTES

1. 每卷包装数量: 650PCS/每卷
2. 卷带包装方式:



3. 每箱包装数量: 3900PCS/箱



MANUFACTURE DWG		东莞市讯普电子科技有限公司 DongGuan XunPu Electronics Co.,Ltd	TITLE: SIM PUSH H1.8 6+2 无柱客户图	
UNLESS OTHERWISE SPECIFIED TOLERANCES			PAR	SIM-132-ARP8
DECIMALS:	ANGLES:	DWN		
.X:±0.30	X.'':±2'	CHKD		
.XX:±0.20	X.X'':±1"	APVD		
.XXX:±0.10		SCALE1:1	UNIT:MM	
		Website address	SIZE:A4	SHEET:1F1 REV:A

X-ON Electronics

Largest Supplier of Electrical and Electronic Components

Click to view similar products for [Memory Card Connectors](#) category:

Click to view products by [XUNPU](#) manufacturer:

Other Similar products are found below :

[M21-033321-005](#) [6407-249V-25273P](#) [6407-249V-25343P](#) [69.920.0553.0](#) [MCR60A-98D-2.54DSA\(70\)](#) [809180410000000](#) [DM3AT-SF-PEJM5\(41\)](#) [IC11S-BUR-PNEJL\(71\)](#) [252-0144-000](#) [2041353-2](#) [308-DS1P0811-192](#) [HM2P09PDR360N9LF](#) [10014744-011TLF](#) [11327-001](#) [11327-002](#) [617230001](#) [NX1-32T-KT3K\(05\)](#) [95622-003LF](#) [N7E50-U516RB-50-SIN0005](#) [84648-056HLF](#) [68-580163-21S](#) [93-570123-08P](#) [CCM03-3109 B LFT](#) [2309923-1](#) [61126-050CAHLF](#) [IC1GA-68PD-1.27DS-EJ\(72\)](#) [GTFP08432B1HR](#) [SCE2MSDZN76A121SN](#) [10014744-011ALF](#) [10014744-011LF](#) [10057542-1211FLF](#) [10067972-000LF](#) [10067972-050LF](#) [10122302-20110LF](#) [G85D1162022HHR](#) [MUP-C7809-1](#) [NANO SIM 7P H1.37](#) [MICRO SIM 7P H1.35](#) [TF-CARD H1.8 SY](#) [MICRO SIM 6P H1.35](#) [TF-CARD H1.8](#) [TF-115Y-BCP9](#) [TF-115YY-ACP9](#) [SMN-309-ARP6](#) [TF-115Y-ACP9](#) [TF-108-ARP10](#) [SMN-303S-ACP7](#) [SNO-14100](#) [SD-112S](#) [MUP-C7804-1](#)