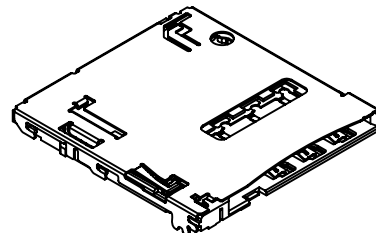
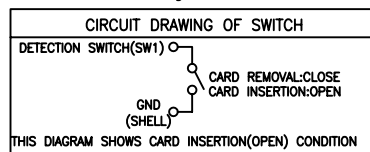


NO.	Description	Material	Finish
A	BASE INSULATOR	LCP	Black Color
B	COVER	Stainless	Not hold down : Nickel Hold down : Au flash over Nickel
C	CONTACT TERMINAL	Corson Alloy	Nickel Barrier Contact: Au over Nickel Lead : Au flash over Nickel
D	CAM Plate	Corson Alloy	Nickel
E	CAM SLIDER	LCP	Black Color
F	CAM STICK	Stainless	-
G	SPRING	Stainless	-
H	Stopper	Stainless	-

(NOTE)

- LEAD Co-planarity :Max 0.08mm
- No rust, contamination, damage nor deformation effecting on function
- Switch moving area
- Non-cumulative tolerance
- Circuit Drawing of switch



UNLESS OTHERWISE SPECIFIED TOLERANCE

UNIT:	DECIMAL	LINEAR	ANGLES
mm	X.	±0.50	±5°
	X.X	±0.25	±3°
	X.XX	±0.12	±1°

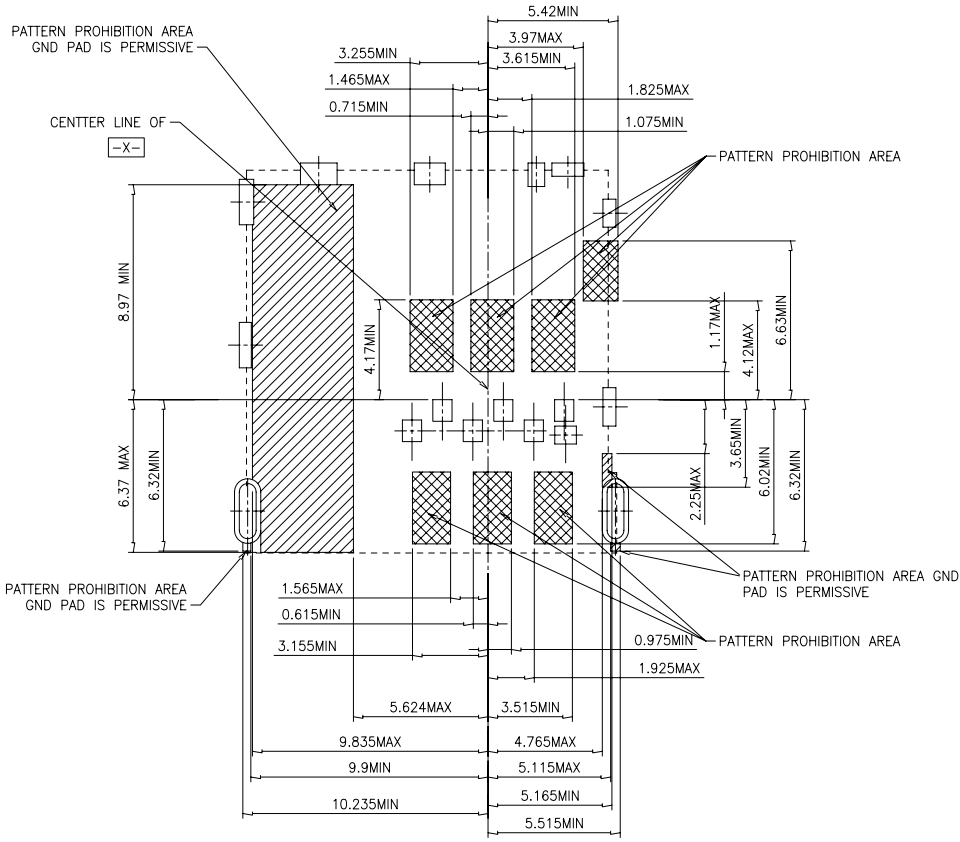
东莞市讯普电子科技有限公司

www.xunpudianzi.com

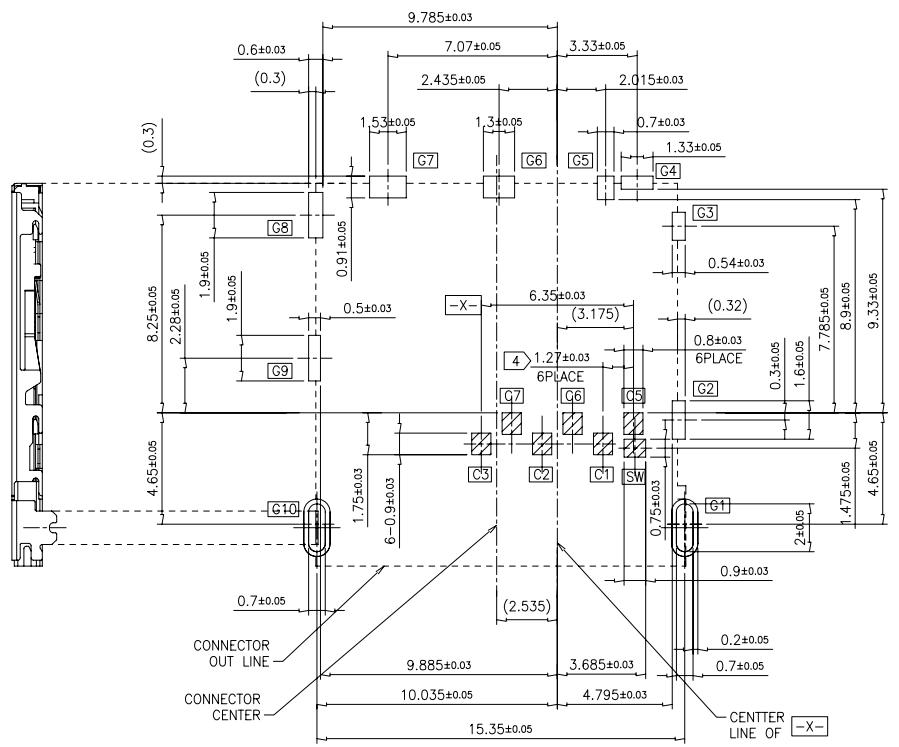
DRAWN	Fros	2014/12/12	DRAWN NAME:
CHECKED	Ron	2014/12/12	
APPROVED	Albert	2014/12/12	
SCALE	3.2	SHEET 1/3	SIZE A4

MICRO SIM CONNECTOR

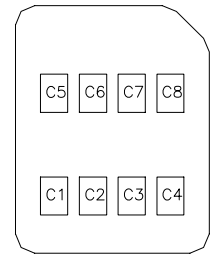
PRODUCT NO. SMC-214



Recommended PCB Layout
(General tolerance:±0.05)

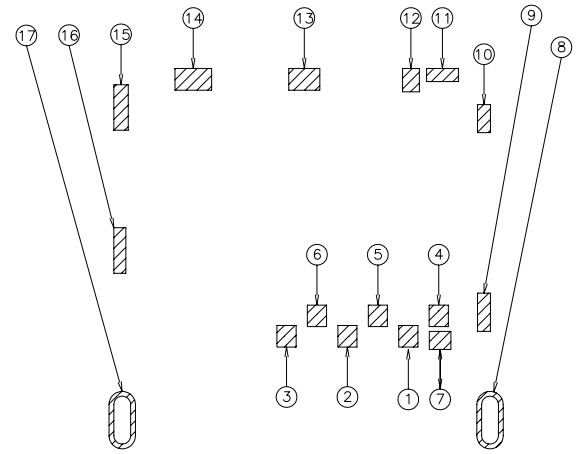


[[SIM CARD PAD LAYOUT]]



[[SIM Card Pin Assignments]]

PIN	Name
C1	Vcc
C2	RST
C3	CLK
C4	Reserved
C5	GND
C6	Vpp
C7	I/O
C8	Reserved



[[Connector Pin Assignments]]

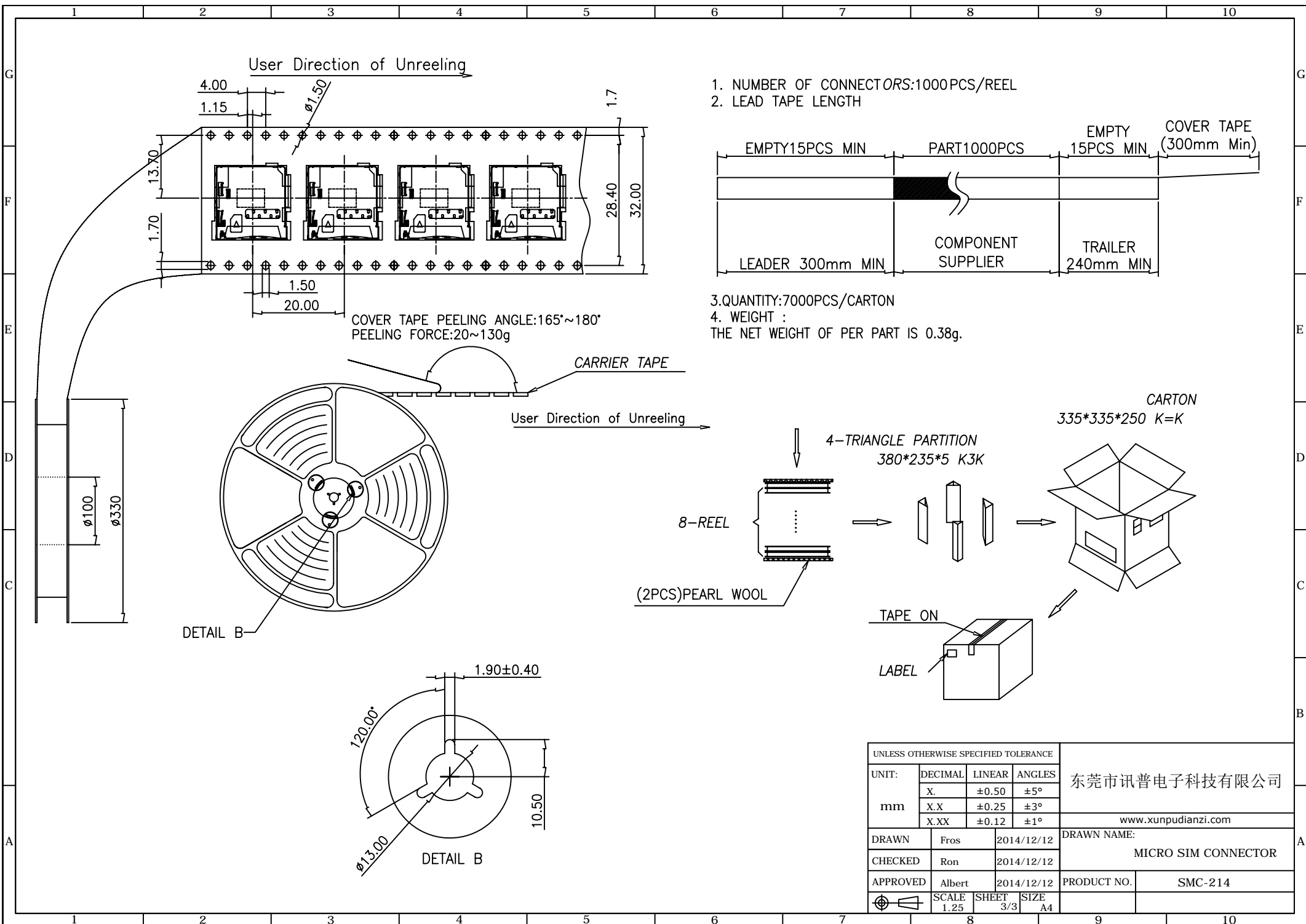
No.	Pin name	Description
①	C1	Vcc of SIM
②	C2	RST of SIM
③	C3	CLK of SIM
④	C5	GND of SIM
⑤	C6	Vpp of SIM
⑥	C7	I/O of SIM
⑦	SW	Detection Switch
⑧~⑰	GND	Shell Ground

UNLESS OTHERWISE SPECIFIED TOLERANCE

UNIT:	DECIMAL	LINEAR	ANGLES
mm	X	±0.50	±5°
	X.X	±0.25	±3°
	X.XX	±0.12	±1°

东莞市讯普电子科技有限公司
www.xunpudianzi.com

DRAWN	Fros	2014/12/12	DRAWN NAME:	
CHECKED	Ron	2014/12/12	MICRO SIM CONNECTOR	
APPROVED	Albert	2014/12/12	PRODUCT NO.	SMC-214
SCALE	3.2	SHEET	2/3	SIZE
				A4



UNLESS OTHERWISE SPECIFIED TOLERANCE				东莞市讯普电子科技有限公司 www.xunpudianzi.com		
UNIT:	DECIMAL	LINEAR	ANGLES			
mm	X.	±0.50	±5°			
	X.X	±0.25	±3°			
	X.XX	±0.12	±1°			
DRAWN	Fros	2014/12/12	DRAWN NAME:			
CHECKED	Ron	2014/12/12	MICRO SIM CONNECTOR			
APPROVED	Albert	2014/12/12	PRODUCT NO.	SMC-214		
SCALE	1.25	SHEET	3/3	SIZE	A4	

X-ON Electronics

Largest Supplier of Electrical and Electronic Components

Click to view similar products for [Standard Card Edge Connectors](#) category:

Click to view products by [XUNPU](#) manufacturer:

Other Similar products are found below :

[CR7E-30DB-3.96E\(72\)](#) [6565204-6](#) [1437274-4](#) [1-582587-1](#) [284-0102-12100](#) [286-0052-12101A](#) [306022901000000](#) [307-012-502-202](#) [307-056-520-300](#) [A6D22DS29C2](#) [1926088-2](#) [287-0032-12101](#) [345-060-559-303](#) [392-008-559-201](#) [534671-1](#) [341-240-317](#) [345-044-500-300](#) [346-240-318](#) [387-012-523-300](#) [395-100-524-300](#) [09-07-2032](#) [10035388-802LF](#) [10115859-011LF](#) [10122859-009LF](#) [101269333204245CLF](#) [530555-1](#) [66925-516LF](#) [5145409-2](#) [73726-0005](#) [66308-1](#) [5036A30](#) [PEC-07-02-T-S-A](#) [346-014-520-801](#) [KSLX-62-BR](#) [307-048-502-202](#) [CE100F26-7-C](#) [CE100F28-3-D](#) [CE100F28-4-D](#) [CE156F18-9-C](#) [CE156F22-5-D](#) [CE156F22-9-C](#) [CT100F22-2-D](#) [CT100F22-3-D](#) [CT100F24-2-D](#) [CT100F24-3-D](#) [CT100F24-6-C](#) [MLSS100-12-C](#) [MLSS100-16-C](#) [SCC100F-11-C](#) [SCC100F-16-C](#)