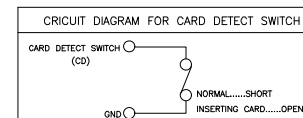
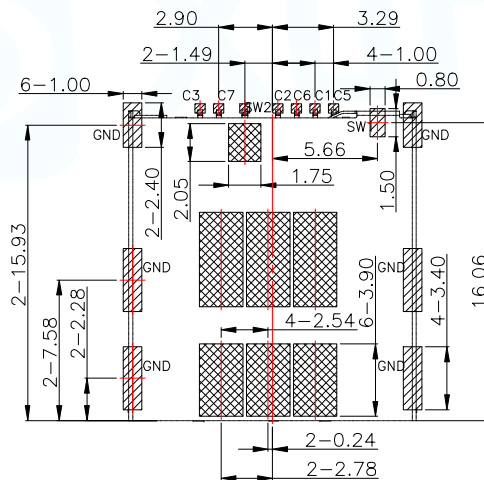
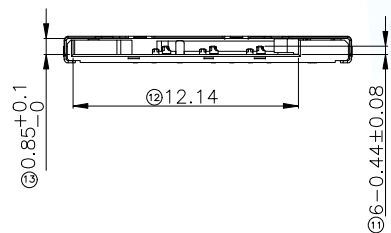
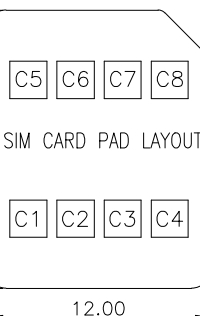


Notes:

- Material:
 - Housing: High Temperature Thermoplastic
 - Terminal: Copper Alloy
 - Shell: Stainless Steel
- Plating:
 - Terminal: 50u" Ni Underplated Overall
 - G/F Plated On Contact Area
 - Tin Plated On Solder Area
 - Shell: 50u" Ni Underplated Overall
 - G/F Plated On Contact Area And older Area
- Technical Speciality:
 - Rated Voltage: 30V
 - Current Rating: 0.5A
 - Insulation Resistance: 1000M Ω Min.
 - Contact Resistance: 100m Ω Max.
 - Withstanding Voltage: 500V DC For 1 Minutes.
 - Operating Temperature: -40 $^{\circ}$ C~+75 $^{\circ}$ C Humidity 80% R.H Max.



PIN/NO	ASSIGNMENT
C1	VCC
C2	RST
C3	CLK
C5	GND
C6	VPP
C7	I/O
SW1	Detect Lever/GND
SW2	Detect Switch



RECOMMENDED PCB LAYOUT

TOLERANCE: ± 0.05

- SMT SOLDER AREA
 - COPPER RESTRICTED AREA
1. TOUCH AREA OF CONTACT TIPS NO ELECTRICAL FUNCTION
2. NO FIRST PCB_LAYOUT CIRCUITS IN THE AREA

MANUFACTURE DWG

东莞市讯普电子科技有限公司
DongGuan XunPu Electronics Co., Ltd

UNLESS OTHERWISE SPECIFIED TOLERANCES

TITLE: 1.42H Push-Push Micro-SIM Card

DECIMALS:	ANGLES:
.X: ± 0.30	.X': $\pm 2^{\circ}$
.XX: ± 0.20	.X'': $\pm 1^{\circ}$
.XXX: ± 0.10	.XX': $\pm 0.5^{\circ}$

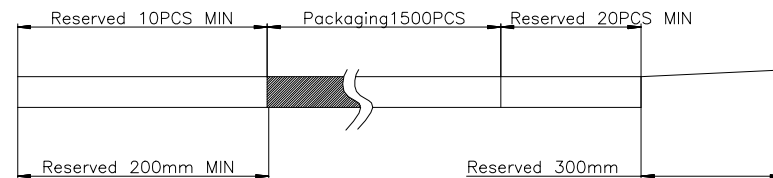
PAR	SMC-231-ARP7
DWN	
CHKD	
APVD	
SCALE: 1:1	UNIT: MM
SIZE: A4	SHEET: 1F1
CUSTOMER COPY	REV: A



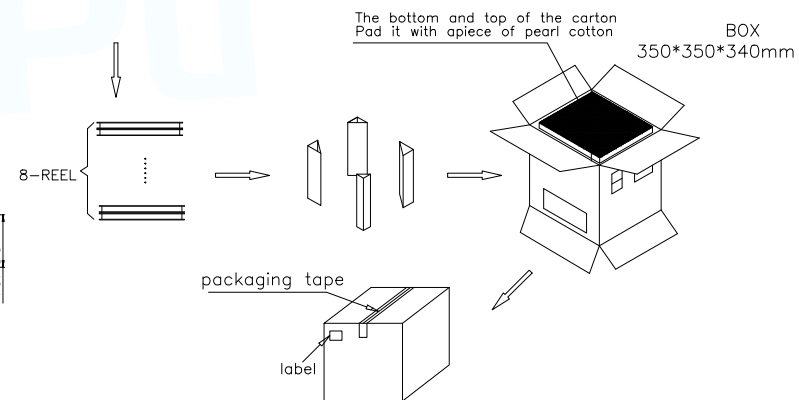
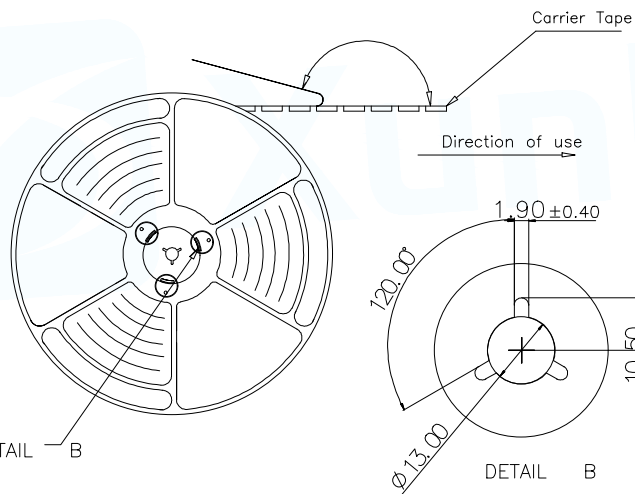
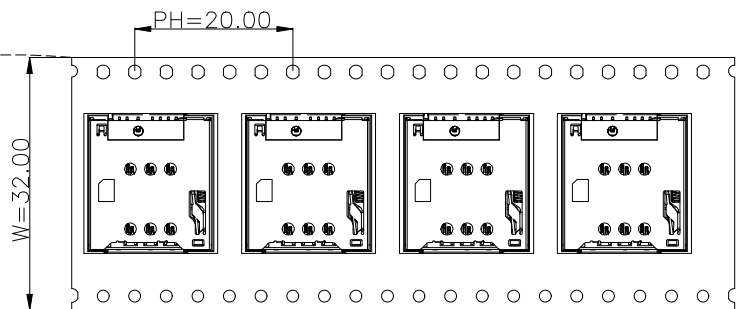
Direction of use →

NOTES:

1. Packing quantity per plate: 1500PCS/Plate
2. Loading and packing method



3. Total packaging: 12000PCS/Box



Description	Quantity
Carrier band (transparent, PET W=24 PH=16,T=0.3)	244.8m
Box (K=K,T=7.0,350*350*340)	1PCS
PE Bag (T=0.08mm, 730*760*730)	1PCS
Self-adhesive (W=25.50)	247.2m
Beam (K=K, T=7.0,95*95*190)	4PCS
Pearl Wool (340*340*18)	2PCS
REEL (BLUE, 13Inches*32mm, #330)	8PCS
1.42H Push-Push Micro-SIM Card	12000PCS

MANUFACTURE DWG			 东莞市讯普电子科技有限公司 DongGuan XunPu Electronics Co.,Ltd	
UNLESS OTHERWISE SPECIFIED TOLERANCES			TITLE: 1.42H Push-Push Micro-SIM Card	
DECIMALS:	ANGLES:	PAR	SMC-231-ARP7	
.X:±0.30	.X':±2°	DWN		
.XX:±0.20	.X":±1°	CHKD		
.XXX:±0.10	.XX':±0.5°	APVD		
CUSTOMER COPY		SCALE: 1:1	UNIT: MM	
		SIZE: A4	SHEET: 1F1	REV: A

X-ON Electronics

Largest Supplier of Electrical and Electronic Components

Click to view similar products for [Memory Card Connectors](#) category:

Click to view products by [XUNPU](#) manufacturer:

Other Similar products are found below :

[M21-033321-005](#) [6407-249V-25273P](#) [6407-249V-25343P](#) [69.920.0553.0](#) [MCR60A-98D-2.54DSA\(70\)](#) [809180410000000](#) [DM3AT-SF-PEJM5\(41\)](#) [IC11S-BUR-PNEJL\(71\)](#) [252-0144-000](#) [2041353-2](#) [308-DS1P0811-192](#) [HM2P09PDR360N9LF](#) [10014744-011TLF](#) [11327-001](#) [11327-002](#) [617230001](#) [NX1-32T-KT3K\(05\)](#) [95622-003LF](#) [N7E50-U516RB-50-SIN0005](#) [84648-056HLF](#) [68-580163-21S](#) [93-570123-08P](#) [CCM03-3109 B LFT](#) [2309923-1](#) [61126-050CAHLF](#) [IC1GA-68PD-1.27DS-EJ\(72\)](#) [GTFP08432B1HR](#) [SCE2MSDZN76A121SN](#) [10014744-011ALF](#) [10014744-011LF](#) [10057542-1211FLF](#) [10067972-000LF](#) [10067972-050LF](#) [10122302-20110LF](#) [G85D1162022HHR](#) [MUP-C7809-1](#) [NANO SIM 7P H1.37](#) [MICRO SIM 7P H1.35](#) [TF-CARD H1.8 SY](#) [MICRO SIM 6P H1.35](#) [TF-CARD H1.8](#) [TF-115Y-BCP9](#) [TF-115YY-ACP9](#) [SMN-309-ARP6](#) [TF-115Y-ACP9](#) [TF-108-ARP10](#) [SMN-303S-ACP7](#) [SNO-14100](#) [SD-112S](#) [MUP-C7804-1](#)