

NOTES:

1. FINISH:

1.1 CONTACT:
50u"MIN NICKEL UNDER PLATED, 1u"MIN GOLD PLATING ON CONTACT AREA, GOLD FLASH PLATING ON SOLDERING AREA

AREA

1.2 SHELL:

30u"MIN NICKEL UNDER PLATED;
1u"MIN GOLD PLATING ON SOLDERING AREA.

2. ELECTRICAL REQUIREMENTS:

2.1 RATED CURRENT: 0.5A
2.2 CONTACT RESISTANCE: 50mΩ MAX
2.3 INSULATION RESISTANCE: 1000MΩ MIN 200V DC FOR 1 MINUTE
2.4 DIELECTRIC WITHSTANDING VOLTAGE: 500V AC FOR 1 MINUTE.

3. MECHANICAL REQUIREMENTS:

DURABILITY: 3000 CYCLES MIN.

4. ENVIRONMENTAL REQUIREMENTS:

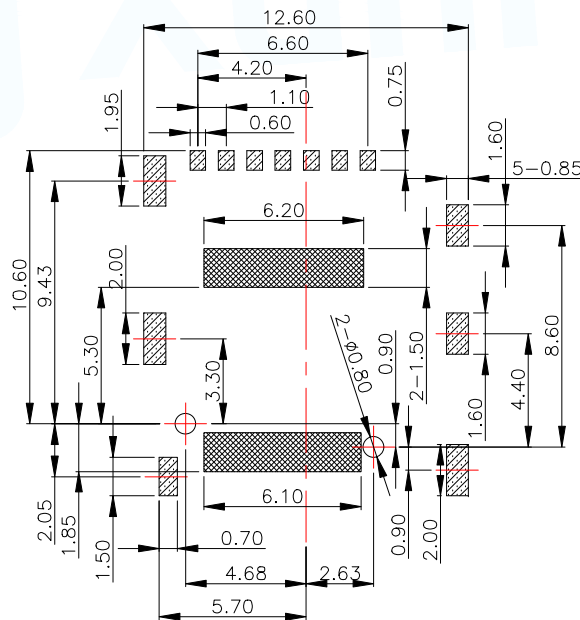
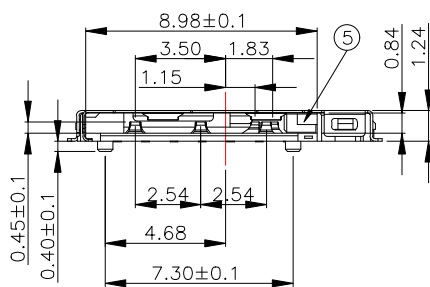
4.1 OPERATING TEMP: -30℃~+85℃

4.2 STORAGE TEMP: -40℃~+85℃

5. RECOMMENDED PROCESS CONDITION:

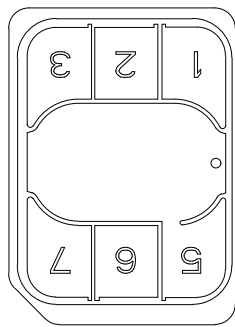
IR-REFLOW, PEAK TEMPERATURE AND TIME: 250℃, 5-10S

6. METAL MASK THICKNESS 0.10MM MIN



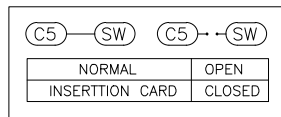
7	SPRING	1	THERMOPLASTIC RATING UL94V-0
6	LINK	1	STAINLESS STEEL
5	SLIDE	1	STAINLESS STEEL
4	DETECT PIN	1	COPPER ALLOY
3	CONTACT	1	COPPER ALLOY
2	SHELL	1	STAINLESS STEEL
1	HOUSING	1	LCP UL94V-0

NO.	DESCRIPTION	Q'TY	Material
-----	-------------	------	----------



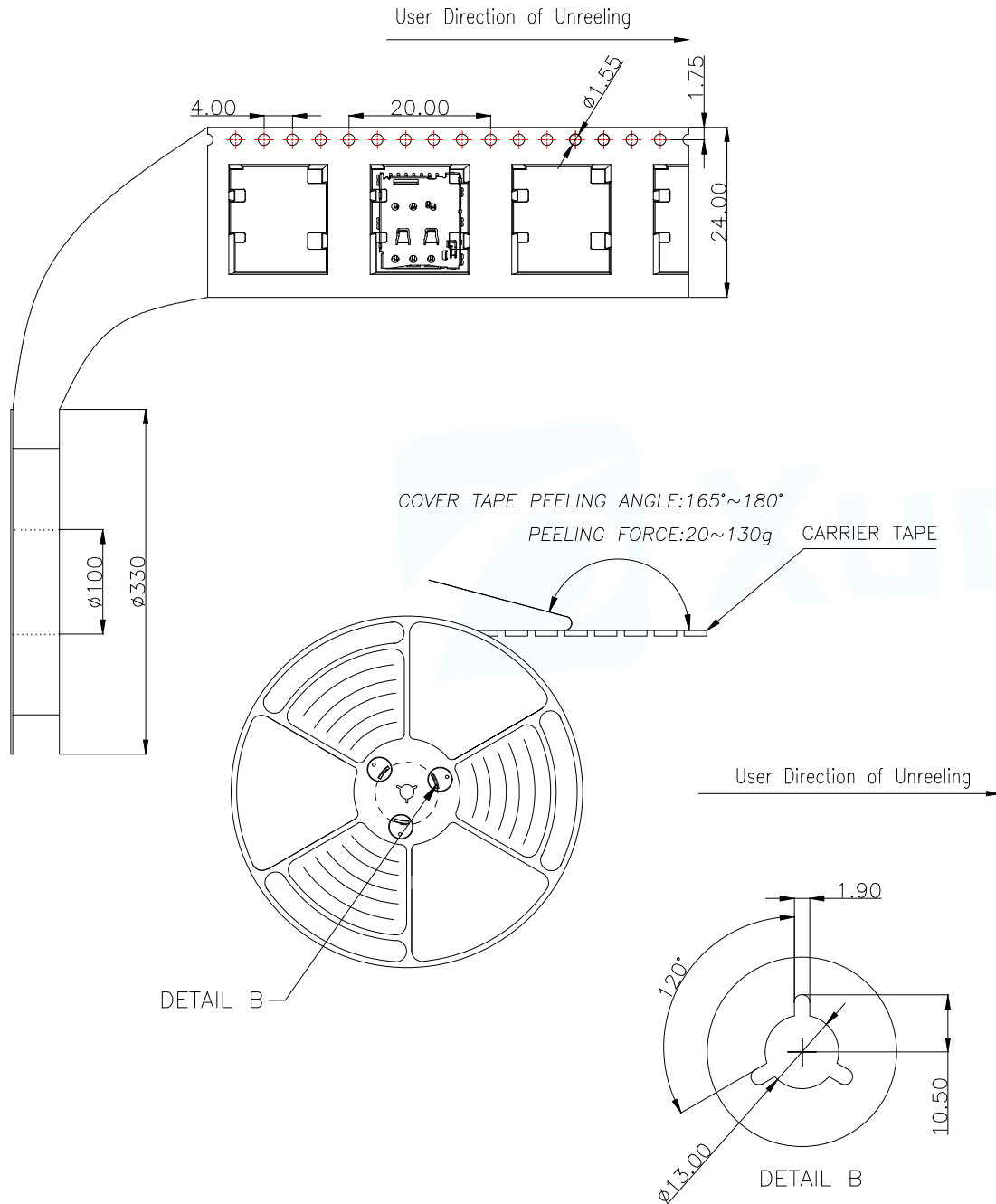
Connector Pin Assignment

NANO SIM CARD	
Pin No.	NAME
C1	VCC OF SIM
C2	RST OF SIM
C3	CLK OF SIM
C5	GND OF SIM
C6	VPP OF SIM
C7	I/O OF SIM
SW	Detection Switch



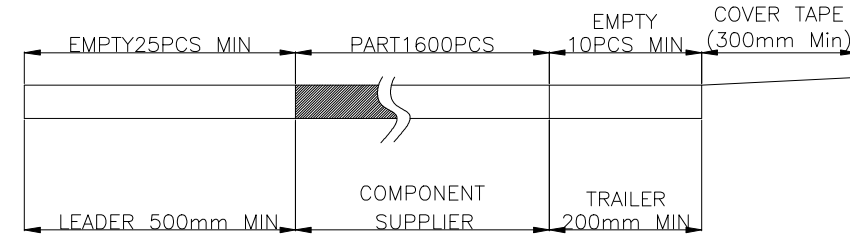
▨ PAD AREA
▩ KEEP OUT AREA
RECOMMENDED PCB LAYOUT
GENERAL TOLERANCE ±0.05

MANUFACTURE DWG		东莞市讯普电子科技有限公司 DongGuan XunPu Electronics Co., Ltd	
UNLESS OTHERWISE SPECIFIED TOLERANCES		TITLE: 1.24 NANO SIM PUSH CONN CUSTOMER PAR SMN-302-ACP7 DWN CHKD APVD SCALE: 1:1 UNIT: MM SIZE: A4 SHEET: 1F1 REV: A	
DECIMALS:	ANGLES:		CUSTOMER COPY
.X: ±0.30	X': ±3°		
.XX: ±0.20	X.X': ±2°		
.XXX: ±0.10			

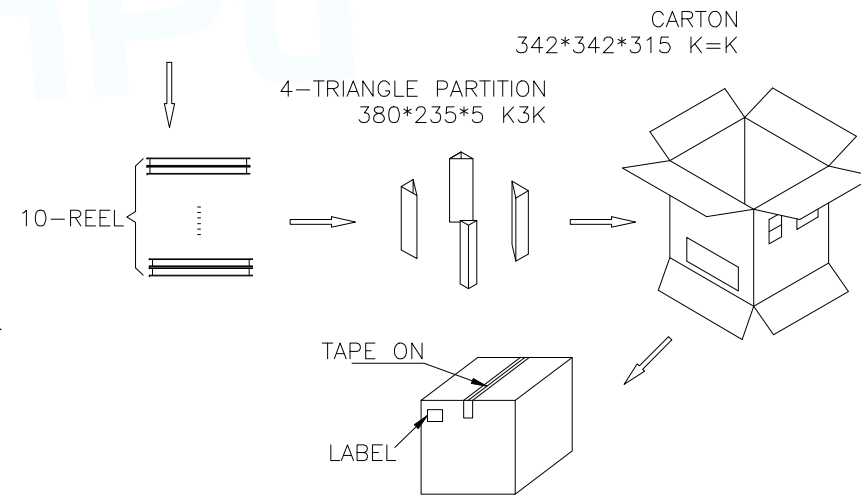


NOTES

1. NUMBER OF CONNECTORS: 1600PCS/REEL
2. LEAD TAPE LENGTH



3. QUANTITY: 16000PCS/CARTON
4. WEIGHT :
 - 3.1 NET WEIGHT : Kg
 - 3.2 GROSS WEIGHT : Kg



MANUFACTURE DWG			东莞市讯普电子科技有限公司 DongGuan XunPu Electronics Co.,Ltd	
UNLESS OTHERWISE SPECIFIED TOLERANCES			TITLE: 1.24 NANO SIM PUSH CONN CUSTOMER	
DECIMALS:	ANGLES:	PAR	SMN-302-ACP7	
.X: ±0.30	X.' : ±3°	DWN		
.XX: ±0.20	X.X' : ±2°	CHKD		
.XXX: ±0.10		APVD		
CUSTOMER COPY		SCALE 1:1	UNIT: MM	
		SIZE: A4	SHEET: 1F1	REV: A

X-ON Electronics

Largest Supplier of Electrical and Electronic Components

Click to view similar products for [Memory Card Connectors](#) category:

Click to view products by [XUNPU](#) manufacturer:

Other Similar products are found below :

[M21-033321-005](#) [6407-249V-25273P](#) [6407-249V-25343P](#) [69.920.0553.0](#) [MCR60A-98D-2.54DSA\(70\)](#) [809180410000000](#) [DM3AT-SF-PEJM5\(41\)](#) [IC11S-BUR-PNEJL\(71\)](#) [252-0144-000](#) [2041353-2](#) [308-DS1P0811-192](#) [HM2P09PDR360N9LF](#) [10014744-011TLF](#) [11327-001](#) [11327-002](#) [617230001](#) [NX1-32T-KT3K\(05\)](#) [95622-003LF](#) [N7E50-U516RB-50-SIN0005](#) [84648-056HLF](#) [68-580163-21S](#) [93-570123-08P](#) [CCM03-3109 B LFT](#) [2309923-1](#) [61126-050CAHLF](#) [IC1GA-68PD-1.27DS-EJ\(72\)](#) [GTFP08432B1HR](#) [SCE2MSDZN76A121SN](#) [10014744-011ALF](#) [10014744-011LF](#) [10057542-1211FLF](#) [10067972-000LF](#) [10067972-050LF](#) [10122302-20110LF](#) [G85D1162022HHR](#) [MUP-C7809-1](#) [NANO SIM 7P H1.37](#) [MICRO SIM 7P H1.35](#) [TF-CARD H1.8 SY](#) [MICRO SIM 6P H1.35](#) [TF-CARD H1.8](#) [TF-115Y-BCP9](#) [TF-115YY-ACP9](#) [SMN-309-ARP6](#) [TF-115Y-ACP9](#) [TF-108-ARP10](#) [SMN-303S-ACP7](#) [SNO-14100](#) [SD-112S](#) [MUP-C7804-1](#)