

Specification

MATERIAL:

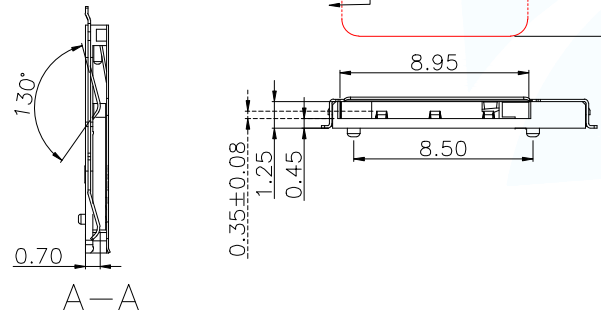
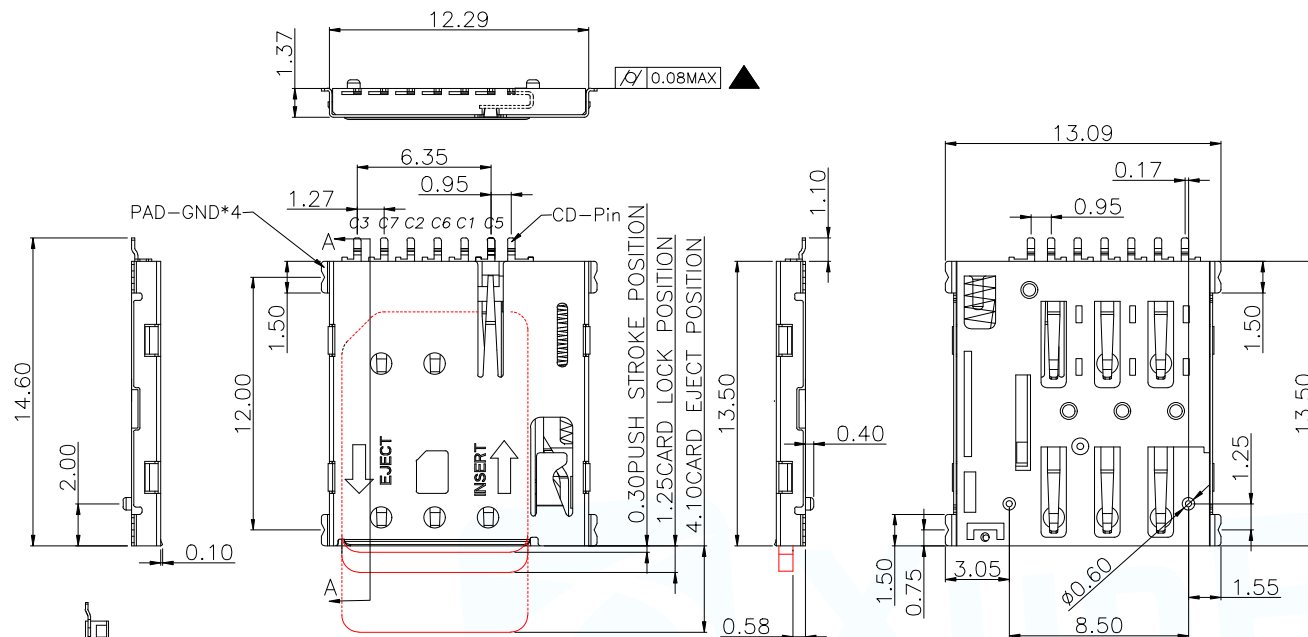
Insulator: High Temperature Thermoplastic,UL 94V-0.  
 Contact: Copper Alloy  
 Shell: SUS

PLATING:

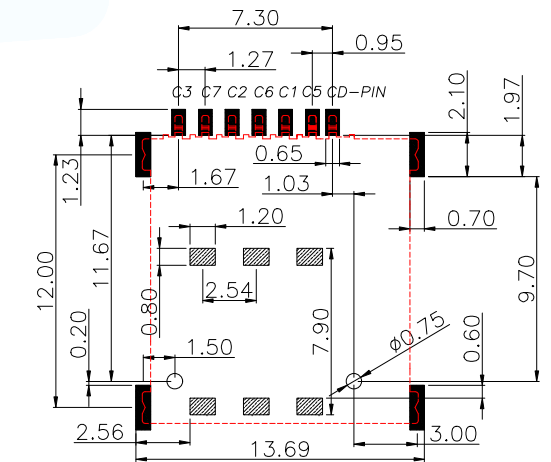
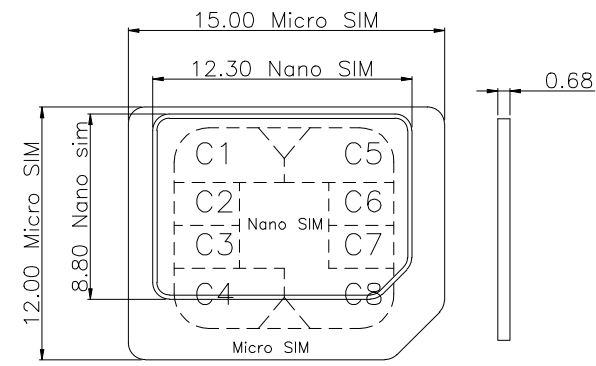
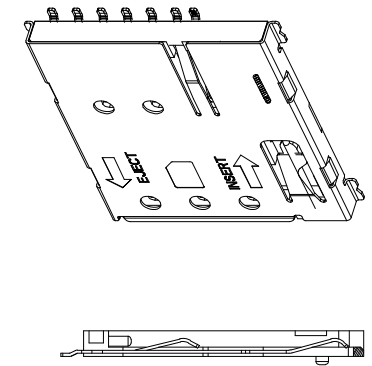
Contact: Plated 50u" Ni Over All AU GOLD 1U  
 Shell: Plated 50u" Ni Over All,PAD Au 1U

Electrical:

Current Rating :0.5Amps max.  
 Voltage Rating :125V AC/DC  
 Ambient Temperature Range :-20°C~+60°C  
 Storage Temperature Range :-40°C~+70°C  
 Ambient Humidity Range :95% R.H. Max.  
 Contact Resistance:100mΩmax.  
 Insulation Resistance:100MΩmin./500VDC  
 Mating Cycles:3000 Insertions  
 产品耐温温度:260度

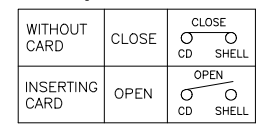


NANO SIM CARD	
Pin No.	NAME
C1	VCC OF SIM
C2	RST OF SIM
C3	CLK OF SIM
C5	GND OF SIM
C6	VPP OF SIM
C7	I/O OF SIM
C4/C8	N/A
CD	DETECTION SWITCH



PAD AREA  
 KEEP OUT AREA  
**RECOMMENDED PCB LAYOUT**  
**GENERAL TOLERANCE ±0.05**

Circuit Diagram for Detect Switch

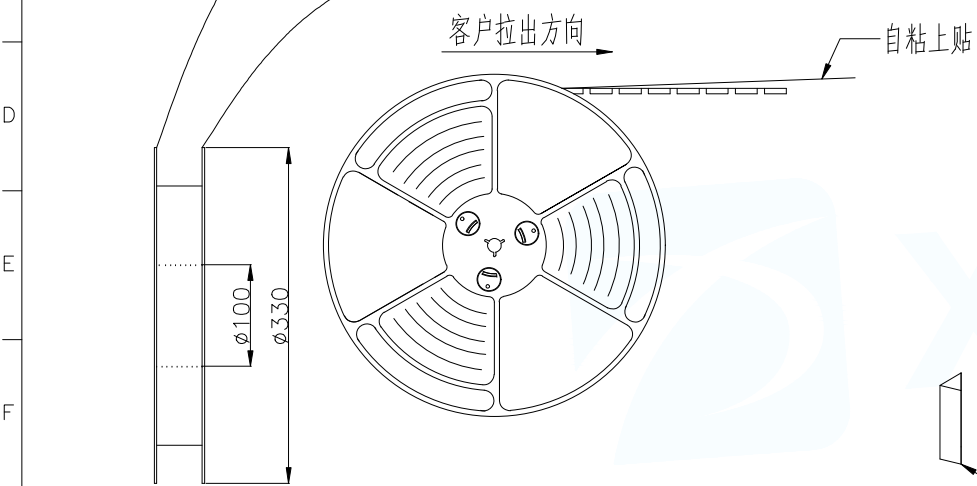
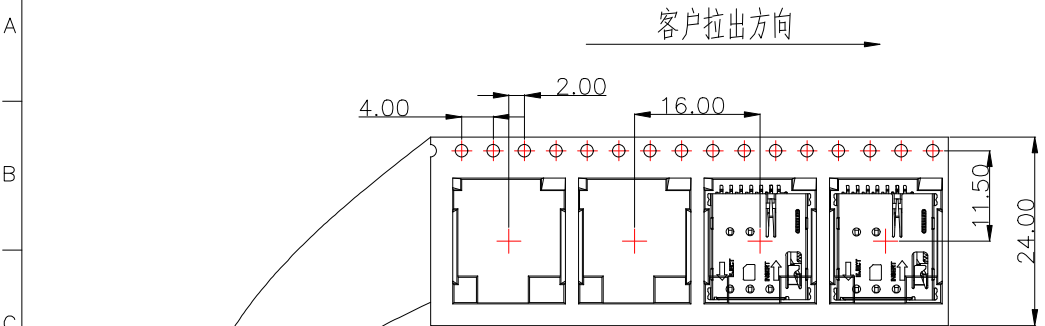


MANUFACTURE DWG	
UNLESS OTHERWISE SPECIFIED TOLERANCES	
DECIMALS:	ANGLES:
.X:±0.20	X':±2'
.XX:±0.15	X.X':±1*
.XXX:±0.05	

**东莞市讯普电子科技有限公司**  
DongGuan XunPu Electronics Co.,Ltd

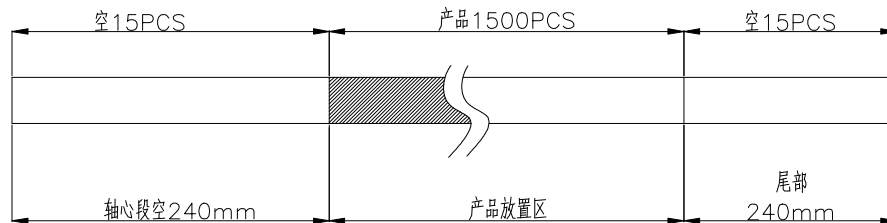
TITLE:6+1PIN 1.37H PUSH NANO SIM CARD CONN.		
PAR	SMN-303L-ACP7	
DWN		
CHKD		
APVD		
SCALE1:1	UNIT:MM	
SIZE:A4	SHEET:1F1	REV:A

CUSTOMER COPY



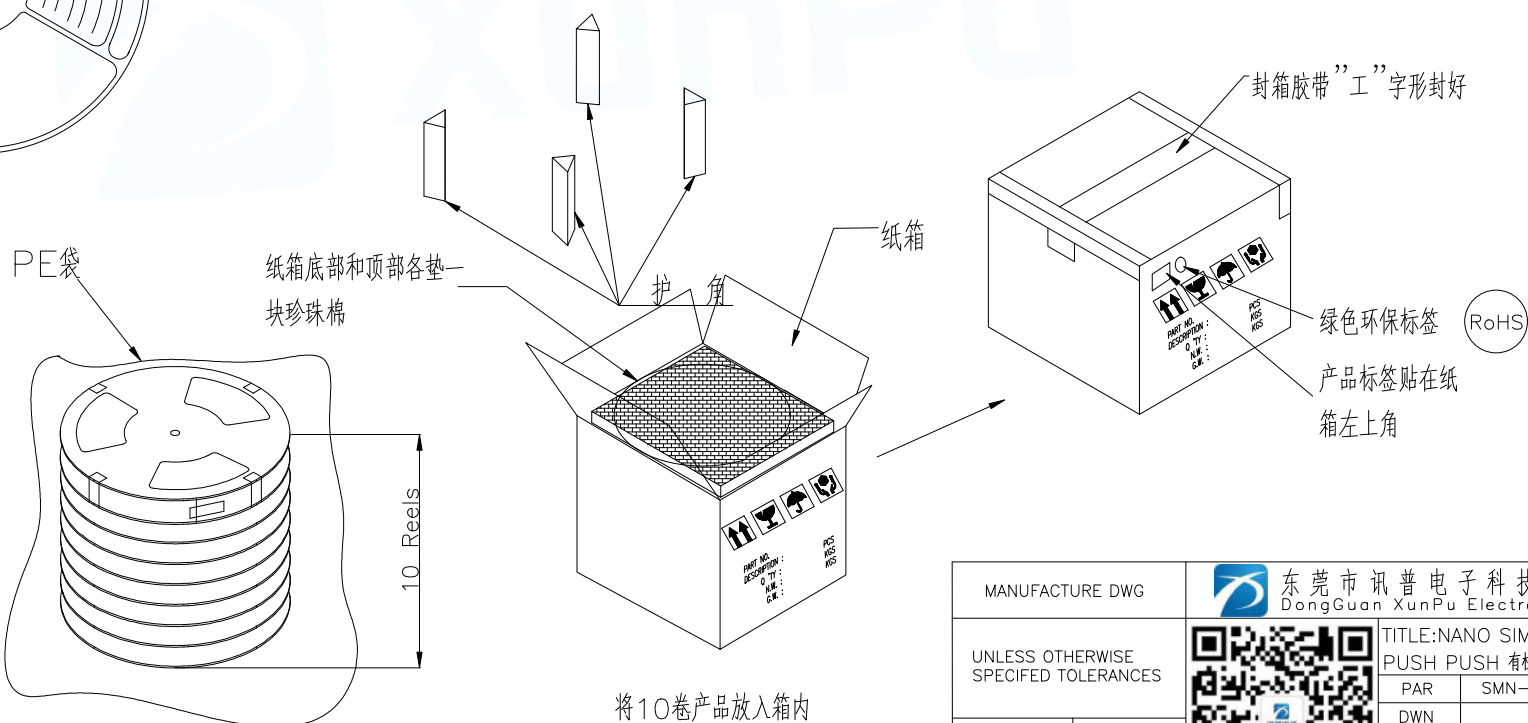
NOTES

1. 每卷包装数量: 1500PCS/每卷
2. 卷带包装方式:



3. 每箱包装数量: 15000PCS/箱

4. 纸箱350mm\*350mm\*340mm(内部尺寸), 材质K=K



将10卷产品放入箱内

MANUFACTURE DWG			东莞市讯普电子科技有限公司 DongGuan XunPu Electronics Co.,Ltd	
UNLESS OTHERWISE SPECIFIED TOLERANCES			TITLE: NANO SIM CARD 1.37H PUSH PUSH 有柱 包装图	
DECIMALS:	ANGLES:	PAR	SMN-303L-ACP7	
.X:±0.20	X'.:±2°	DWN		
.XX:±0.15	X.X':±1°	CHKD		
.XXX:±0.05		APVD		
CUSTOMER COPY		SCALE: 1:1	UNIT: MM	
		SIZE: A4	SHEET: 2F2	REV: A

## X-ON Electronics

Largest Supplier of Electrical and Electronic Components

*Click to view similar products for [Memory Card Connectors](#) category:*

*Click to view products by [XUNPU](#) manufacturer:*

Other Similar products are found below :

[M21-033321-005](#) [6407-249V-25273P](#) [6407-249V-25343P](#) [6426-201-21343](#) [69.920.0553.0](#) [MCR60A-98D-2.54DSA\(70\)](#) [809180410000000](#)  
[DM3AT-SF-PEJM5\(41\)](#) [IC11S-BUR-PNEJL\(71\)](#) [252-0144-000](#) [2041353-2](#) [308-DS1P0811-192](#) [HM2P09PDR360N9LF](#) [10014744-011TLF](#)  
[11327-001](#) [11327-002](#) [617230001](#) [NX1-32T-KT3K\(05\)](#) [N7E50-U516RB-50-SIN0005](#) [68-580163-21S](#) [125A-78C00](#) [CCM03-3109 B LFT](#)  
[2309923-1](#) [61126-050CAHLF](#) [IC1GA-68PD-1.27DS-EJ\(72\)](#) [GTFP08432B1HR](#) [SCE2MSDZN76A121SN](#) [10014744-011ALF](#) [10014744-](#)  
[011LF](#) [10057542-1211FLF](#) [10067972-000LF](#) [10067972-050LF](#) [10122302-20110LF](#) [G85D1162022HHR](#) [MUP-C7809-1](#) [NANO SIM 7P](#)  
[H1.37](#) [MICRO SIM 7P H1.35](#) [TF-CARD H1.8 SY](#) [MICRO SIM 6P H1.35](#) [TF-CARD H1.8](#) [TF-115Y-BCP9](#) [TF-115YY-ACP9](#) [SMN-309-](#)  
[ARP6](#) [TF-115Y-ACP9](#) [TF-108-ARP10](#) [SMN-303S-ACP7](#) [SNO-14100](#) [SD-112S](#) [MUP-C7804-1](#) [KH-TF-07DT](#)