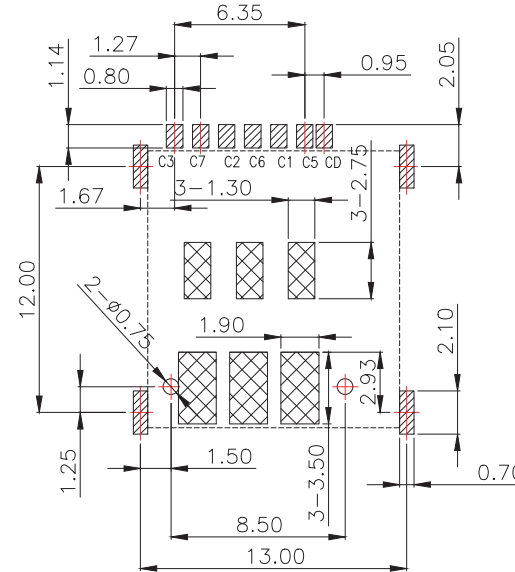
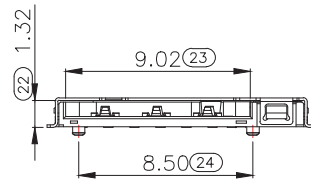
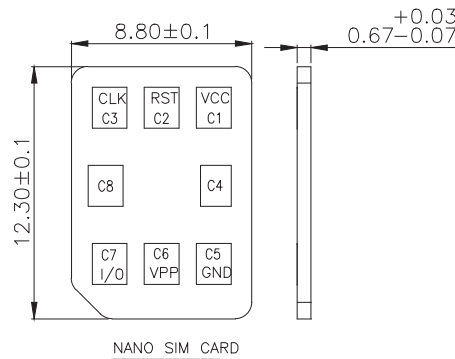
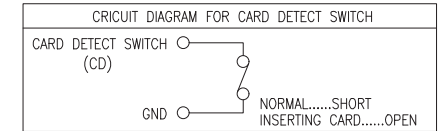


- NOTES:
- MATERIAL:  
HOUSING:HI-TEMP. PLASIC UL 94V-0  
CONTACT:COPPER ALLOY  
SHELL:STAINLESS STEEL
  - PLATING :  
TERMINAL:  
CONTACT AREA: Au GOLD FLASH.  
SOLDER AREA: AU GOLD FLASH.  
UNDER PLATE: NICKEL.  
SHELL: NICKEL PLATED OVER ALL.  
SOLDER AREA: GOLD FLASH.
  - SPECIALTY:  
3.1 Rated current:1.0A  
3.2 Rated voltage:30V  
3.3 Contact Resistance:50mΩ MAX  
3.4 Insulation Resistance:1000MΩ MIN 500V DC  
3.5 Dielectric withstanding voltage: 500V AC.  
3.6 Solder ability:260+0/-5°C, 30±10s.  
3.7 Durability:5000 Cycles Min.  
3.8 Operating condition:Temperature-40°C~+85°C:  
Humidity 80% R.H MAX



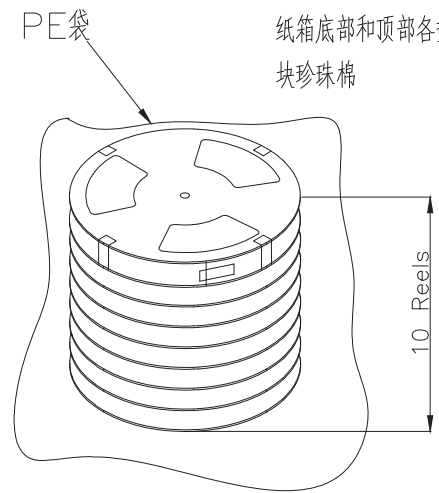
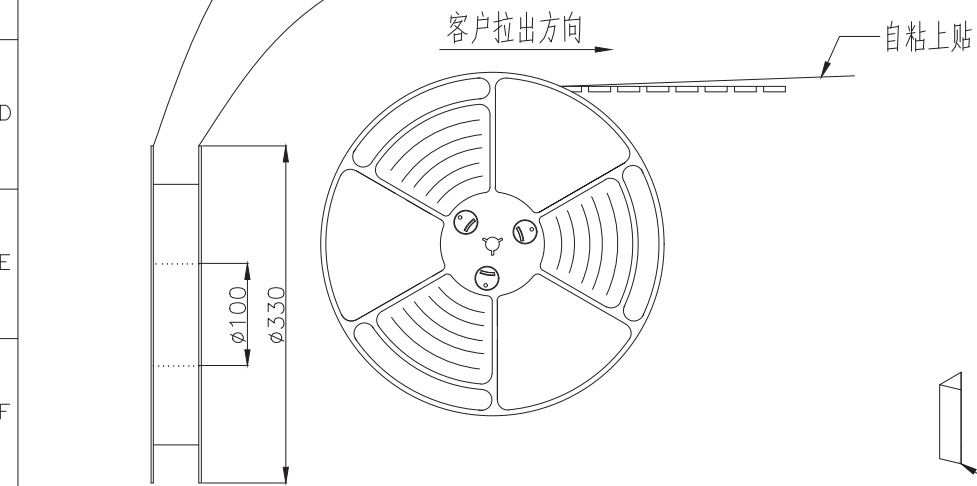
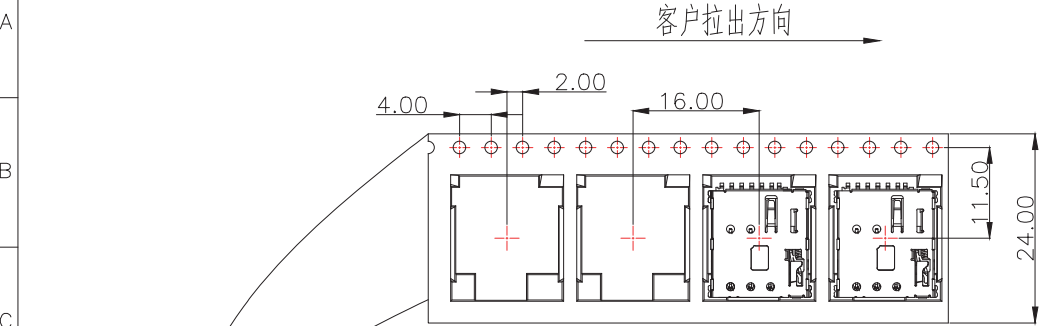
SIM pin Assignment	
PIN#	Name
C1	VCC
C2	RST
C3	CLK
C5	GND
C6	VPP
C7	I/O



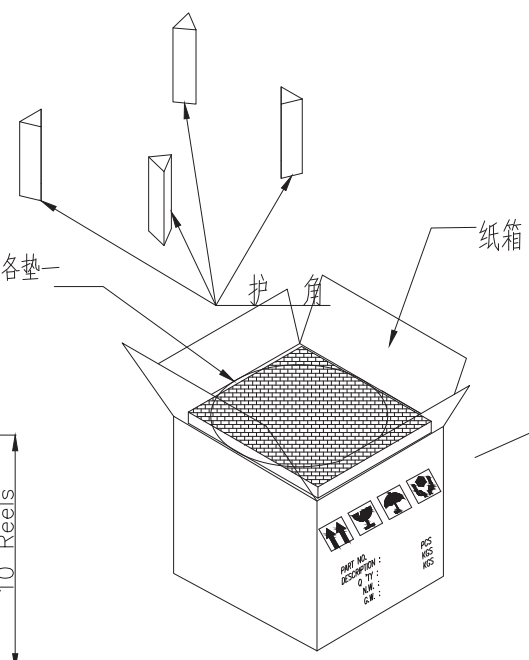
RECOMMENDED PCB LAYOUT  
GENERAL TOLERANCE ±0.05

▨ PAD  
▩ KEEP OUT AREA

MANUFACTURE DWG		东莞市讯普电子科技有限公司 DongGuan XunPu Electronics Co.,Ltd	
UNLESS OTHERWISE SPECIFIED TOLERANCES		TITLE:NANO SIM CARD 1.37H PUSH PUSH 有桩 PAR SMN-303S-ACP7 DWN CHKD APVD	
DECIMALS:	ANGLES:		SCALE:1:1 UNIT:MM SIZE:A4 SHEET:1F1 REV:A
X.:±0.35	X'.:±2'		
.X:±0.15	.X':±1'		
.XX:±0.10	.XX':±0.5'	CUSTOMER COPY	



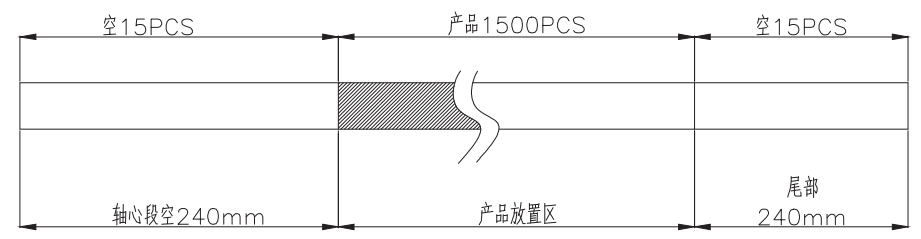
纸箱底部和顶部各垫一块珍珠棉



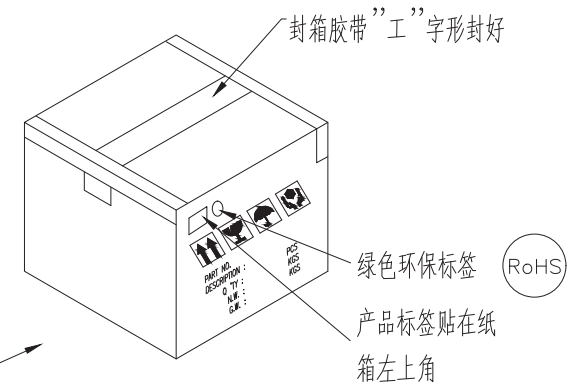
将10卷产品放入箱内

NOTES

1. 每卷包装数量: 1500PCS/每卷
2. 卷带包装方式:



3. 每箱包装数量: 15000PCS/箱
4. 纸箱350mm\*350mm\*340mm(内部尺寸), 材质K=K



MANUFACTURE DWG		东莞市讯普电子科技有限公司 DongGuan XunPu Electronics Co.,Ltd	
UNLESS OTHERWISE SPECIFIED TOLERANCES			TITLE: NANO SIM CARD 1.37H PUSH PUSH 有柱 包装图
			PAR SMN-303S-ACP7
DECIMALS:	ANGLES:		DWN
X.: ±0.35	X': ±2°		CHKD
.X: ±0.15	.X': ±1°	APVD	
.XX: ±0.10	.XX': ±0.5°	SCALE 1:1	UNIT: MM
		CUSTOMER COPY	SIZE: A4
			SHEET: 2F2
			REV: A

## X-ON Electronics

Largest Supplier of Electrical and Electronic Components

*Click to view similar products for [Memory Card Connectors](#) category:*

*Click to view products by [XUNPU](#) manufacturer:*

Other Similar products are found below :

[M21-033321-005](#) [6407-249V-25273P](#) [6407-249V-25343P](#) [6426-201-21343](#) [69.920.0553.0](#) [MCR60A-98D-2.54DSA\(70\)](#) [809180410000000](#)  
[DM3AT-SF-PEJM5\(41\)](#) [IC11S-BUR-PNEJL\(71\)](#) [252-0144-000](#) [2041353-2](#) [308-DS1P0811-192](#) [HM2P09PDR360N9LF](#) [10014744-011TLF](#)  
[11327-001](#) [11327-002](#) [617230001](#) [NX1-32T-KT3K\(05\)](#) [N7E50-U516RB-50-SIN0005](#) [68-580163-21S](#) [125A-78C00](#) [CCM03-3109 B LFT](#)  
[2309923-1](#) [61126-050CAHLF](#) [IC1GA-68PD-1.27DS-EJ\(72\)](#) [GTFP08432B1HR](#) [SCE2MSDZN76A121SN](#) [10014744-011ALF](#) [10014744-](#)  
[011LF](#) [10057542-1211FLF](#) [10067972-000LF](#) [10067972-050LF](#) [10122302-20110LF](#) [G85D1162022HHR](#) [MUP-C7809-1](#) [NANO SIM 7P](#)  
[H1.37](#) [MICRO SIM 7P H1.35](#) [TF-CARD H1.8 SY](#) [MICRO SIM 6P H1.35](#) [TF-CARD H1.8](#) [TF-115Y-BCP9](#) [TF-115YY-ACP9](#) [SMN-309-](#)  
[ARP6](#) [TF-115Y-ACP9](#) [TF-108-ARP10](#) [SMN-303S-ACP7](#) [SNO-14100](#) [SD-112S](#) [MUP-C7804-1](#) [47309-2651](#)