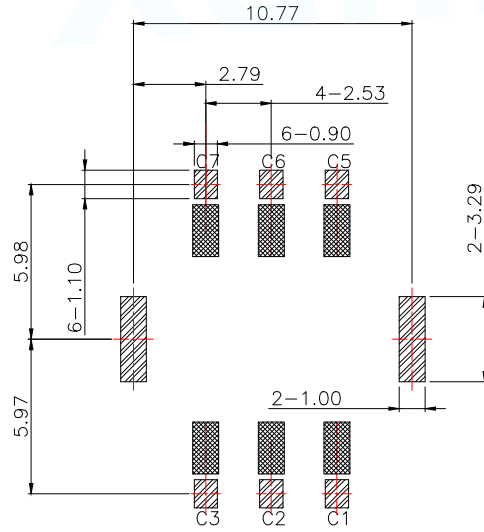
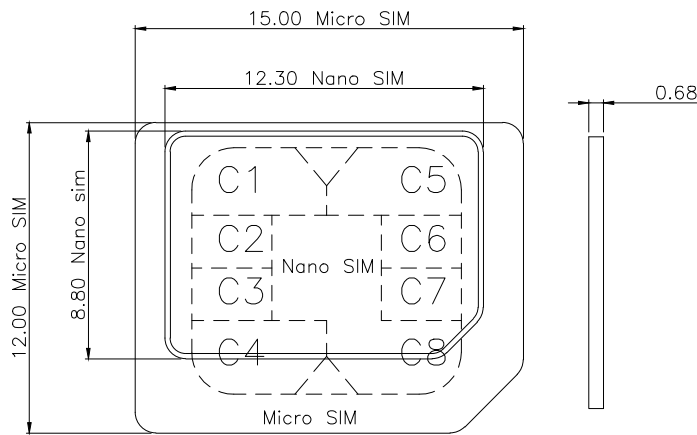
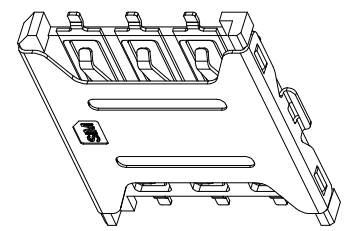


SPECIFICATION
MATERIAL:
 INSULATOR: HIGH TEMPERATURE THERMOPLASTIC,UL 94V-0.
 CONTACT: C5210
 SHELL: SUS
PLATING:
 CONTACT: PLATED 50U" NI OVERALL CONTACT ALL AU 1U
 SHELL: PLATED 50U" NI OVERALL,PAD AU 1U
ELECTRICAL:
 CURRENT RATING: 0.5MA AC/DC MAX
 VOLTAGE RATING: 125V AC/DC
 AMBIENT TEMPERATURE RANGE: -20°C~+60°C
 STORAGE TEMPERATURE RANGE: -40°C~+70°C
 AMBIENT HUMIDITY RANGE: 95% R.H. MAX.
 CONTACT RESISTANCE: 100MΩMAX.
 INSULATION RESISTANCE: 1000MΩMIN./500VDC
 REFLOW PEAK TEMP: 260°C ±5°C, 3~5 S
 MATING CYCLES: 3,000 INSERTIONS MIN



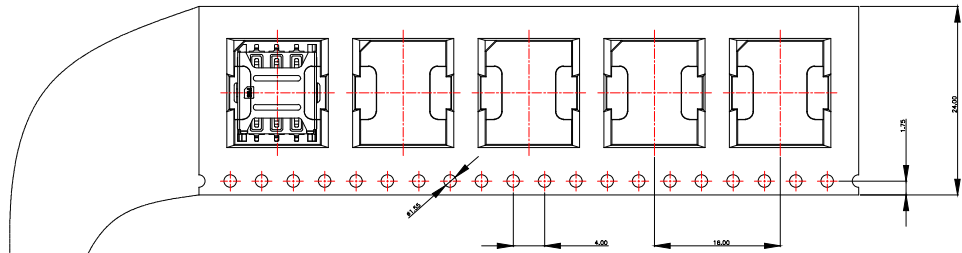
▨ PAD AREA
 ▩ KEEP OUT AREA
RECOMMENDED PCB LAYOUT
GENERAL TOLERANCE ±0.05

NANO SIM CARD	
Pin No.	NAME
C1	VCC OF SIM
C2	RST OF SIM
C3	CLK OF SIM
C5	GND OF SIM
C6	VPP OF SIM
C7	I/O OF SIM
C4/C8	N/A



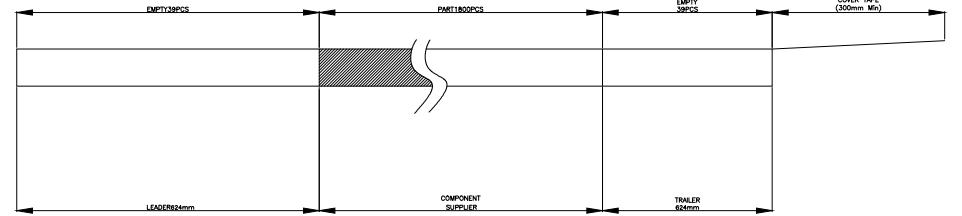
MANUFACTURE DWG		东莞市讯普电子科技有限公司 DongGuan XunPu Electronics Co.,Ltd	
UNLESS OTHERWISE SPECIFIED TOLERANCES		TITLE:NANO SIM CARD PUSH PULL 6PIN H1.35无桩 PAR SMN-304-ARP6 DWN CHKD APVD	
DECIMALS:	ANGLES:		SCALE1:1 UNIT:MM
X.:±0.50	X':±2'		SIZE:A4
X.X:±0.30	X.X':±1"		SHEET:1F1
X.XX:±0.20	X.XX':±0.5"		REV:A
CUSTOMER COPY			

User Direction of Unreeling



NOTES

1. NUMBER OF CONNECTORS:1800PCS/REEL
2. LEAD TAPE LENGTH

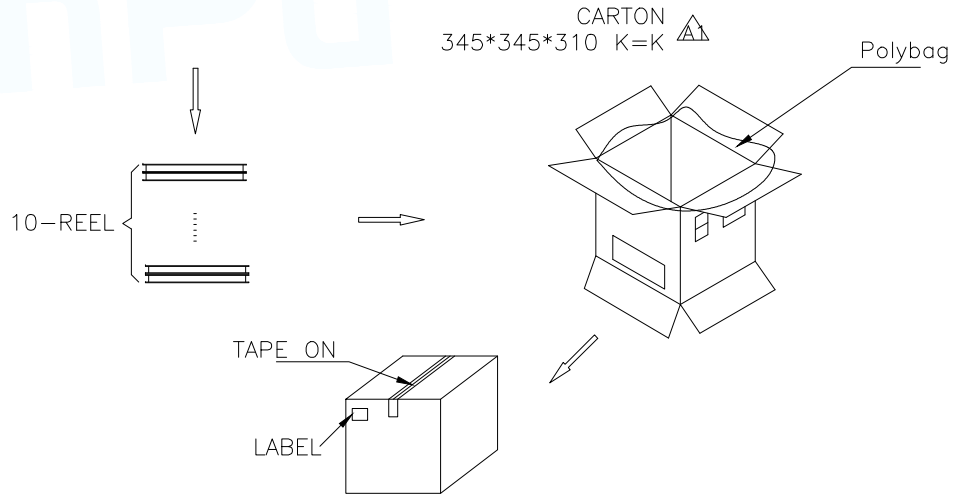
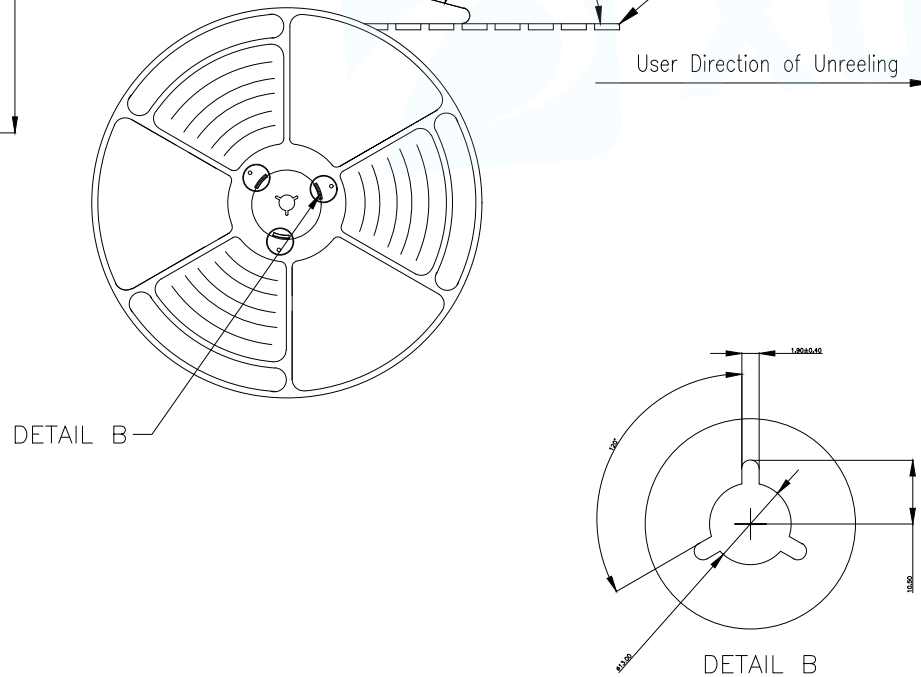


3. QUANTITY:18000PCS/CARTON

COVER TAPE PEELING ANGLE:165°~180°
PEELING FORCE:20~130g

CARRIER TAPE

User Direction of Unreeling



MANUFACTURE DWG		 东莞市讯普电子科技有限公司 DongGuan XunPu Electronics Co.,Ltd	
UNLESS OTHERWISE SPECIFIED TOLERANCES		TITLE:NANO SIM CARD PUSH PULL 6PIN H1.35无柱 包装图 PAR SMN-304-ARP6 DWN CHKD APVD SCALE:1:1 UNIT:MM SIZE:A4 SHEET:1F1	
DECIMALS:	ANGLES:		<input type="checkbox"/>
X.:±0.50	X.':±2°		<input type="checkbox"/>
X.X:±0.30	X.X':±1°		<input type="checkbox"/>
X.XX:±0.20	X.XX':±0.5°		<input type="checkbox"/>
CUSTOMER COPY		REV:A	

X-ON Electronics

Largest Supplier of Electrical and Electronic Components

Click to view similar products for [Memory Card Connectors](#) category:

Click to view products by [XUNPU](#) manufacturer:

Other Similar products are found below :

[M21-033321-005](#) [6407-249V-25273P](#) [6407-249V-25343P](#) [69.920.0553.0](#) [MCR60A-98D-2.54DSA\(70\)](#) [809180410000000](#) [DM3AT-SF-PEJM5\(41\)](#) [IC11S-BUR-PNEJL\(71\)](#) [252-0144-000](#) [2041353-2](#) [308-DS1P0811-192](#) [HM2P09PDR360N9LF](#) [10014744-011TLF](#) [11327-001](#) [11327-002](#) [617230001](#) [NX1-32T-KT3K\(05\)](#) [95622-003LF](#) [N7E50-U516RB-50-SIN0005](#) [84648-056HLF](#) [68-580163-21S](#) [93-570123-08P](#) [CCM03-3109 B LFT](#) [2309923-1](#) [61126-050CAHLF](#) [IC1GA-68PD-1.27DS-EJ\(72\)](#) [GTFP08432B1HR](#) [SCE2MSDZN76A121SN](#) [10014744-011ALF](#) [10014744-011LF](#) [10057542-1211FLF](#) [10067972-000LF](#) [10067972-050LF](#) [10122302-20110LF](#) [G85D1162022HHR](#) [MUP-C7809-1](#) [NANO SIM 7P H1.37](#) [MICRO SIM 7P H1.35](#) [TF-CARD H1.8 SY](#) [MICRO SIM 6P H1.35](#) [TF-CARD H1.8](#) [TF-115Y-BCP9](#) [TF-115YY-ACP9](#) [SMN-309-ARP6](#) [TF-115Y-ACP9](#) [TF-108-ARP10](#) [SMN-303S-ACP7](#) [SNO-14100](#) [SD-112S](#) [MUP-C7804-1](#)