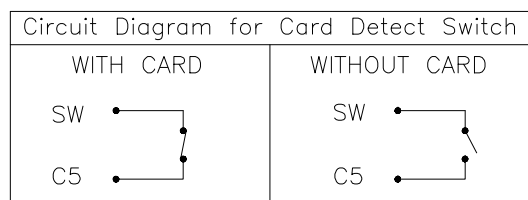
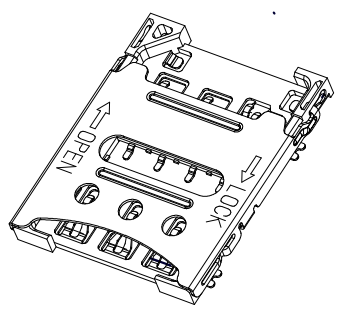
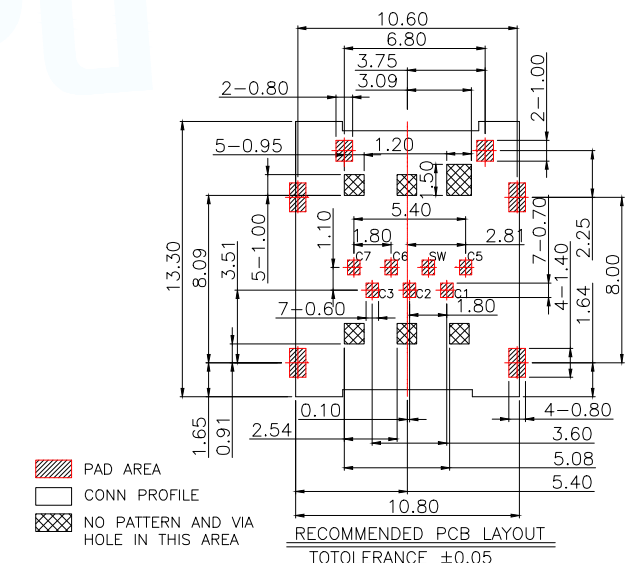
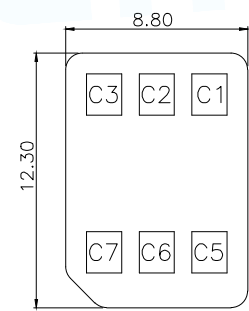
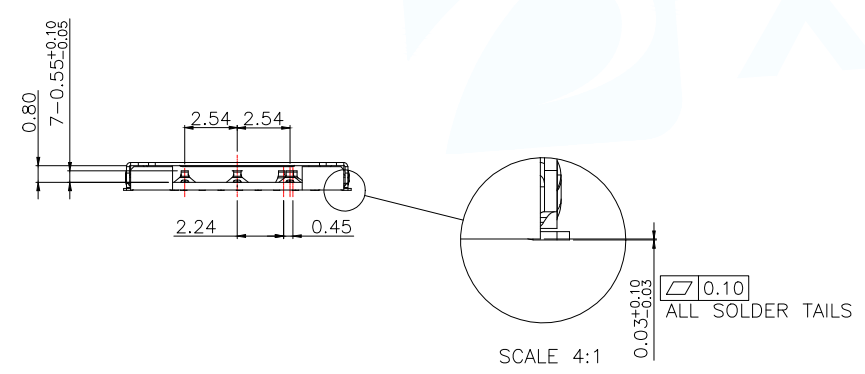


- NOTES:
- MATERIAL:
 - Housing: High Temperature Thermoplastic; UL94V-0; Color Black.
 - Terminal: Copper Alloy, T=0.10mm.
 - Shell: Stainless Steel, T=0.15mm.
 - FINISH:
 - Terminal: Plated Gold on the Contact Area and Solder Tails
 - Peg: Plated Gold on the Solder Tails.
 - SPECIALITY:
 - Rated current: 1.0A
 - Rated voltage: 50V
 - Contact Resistance: 50mΩ MAX
 - Insulation Resistance: 100MΩMIN 100V DC
 - Dielectric withstanding voltage: 100V AC.
 - Durability Cycles: 2000 Cycles.
 - Solder ability: 245±5°C, 5±0.5s.
 - Operating condition: Temperature: -40°C~+85°C



PIN NO	PIN NAME
C1	VCC
C2	RST
C3	CLK
C5	GND
C6	VPP
C7	I/O
SW	Switch Pin

MANUFACTURE DWG		东莞市讯普电子科技有限公司 DongGuan XunPu Electronics Co., Ltd	
UNLESS OTHERWISE SPECIFIED TOLERANCES			TITLE: 1.35 插卡式 NANO SIM CARD WITH SWITCH PIN
DECIMALS:	ANGLES:		PAR SMN-306A-CRP7
X.: ±0.25	X': ±2'		DWN
X.X: ±0.20	X.X': ±1'		CHKD
X.XX: ±0.15		APVD	SCALE: 1:1 UNIT: MM
CUSTOMER COPY		SIZE: A4	SHEET: 1F1
			REV: A

X-ON Electronics

Largest Supplier of Electrical and Electronic Components

Click to view similar products for [Memory Card Connectors](#) category:

Click to view products by [XUNPU](#) manufacturer:

Other Similar products are found below :

[M21-033321-005](#) [6407-249V-25273P](#) [6407-249V-25343P](#) [69.920.0553.0](#) [MCR60A-98D-2.54DSA\(70\)](#) [809180410000000](#) [DM3AT-SF-PEJM5\(41\)](#) [IC11S-BUR-PNEJL\(71\)](#) [252-0144-000](#) [2041353-2](#) [308-DS1P0811-192](#) [HM2P09PDR360N9LF](#) [10014744-011TLF](#) [11327-001](#) [11327-002](#) [617230001](#) [NX1-32T-KT3K\(05\)](#) [95622-003LF](#) [N7E50-U516RB-50-SIN0005](#) [84648-056HLF](#) [68-580163-21S](#) [93-570123-08P](#) [CCM03-3109 B LFT](#) [2309923-1](#) [61126-050CAHLF](#) [IC1GA-68PD-1.27DS-EJ\(72\)](#) [GTFP08432B1HR](#) [SCE2MSDZN76A121SN](#) [10014744-011ALF](#) [10014744-011LF](#) [10057542-1211FLF](#) [10067972-000LF](#) [10067972-050LF](#) [10122302-20110LF](#) [G85D1162022HHR](#) [MUP-C7809-1](#) [NANO SIM 7P H1.37](#) [MICRO SIM 7P H1.35](#) [TF-CARD H1.8 SY](#) [MICRO SIM 6P H1.35](#) [TF-CARD H1.8](#) [TF-115Y-BCP9](#) [TF-115YY-ACP9](#) [SMN-309-ARP6](#) [TF-115Y-ACP9](#) [TF-108-ARP10](#) [SMN-303S-ACP7](#) [SNO-14100](#) [SD-112S](#) [MUP-C7804-1](#)