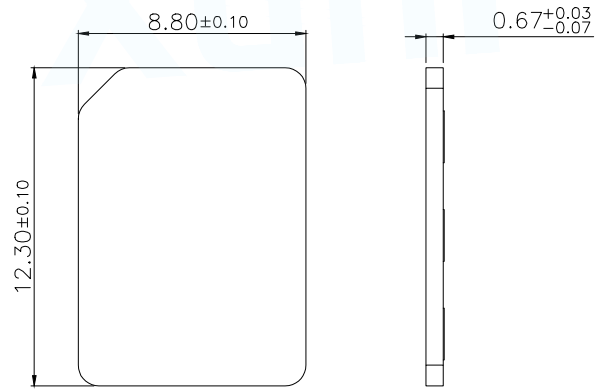
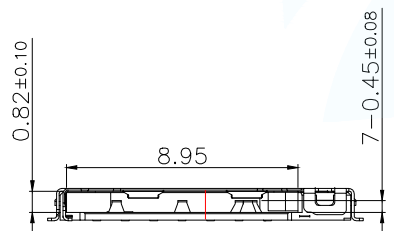


RECOMMENDED PCB LAYOUT
TOLERANCE: ±0.05

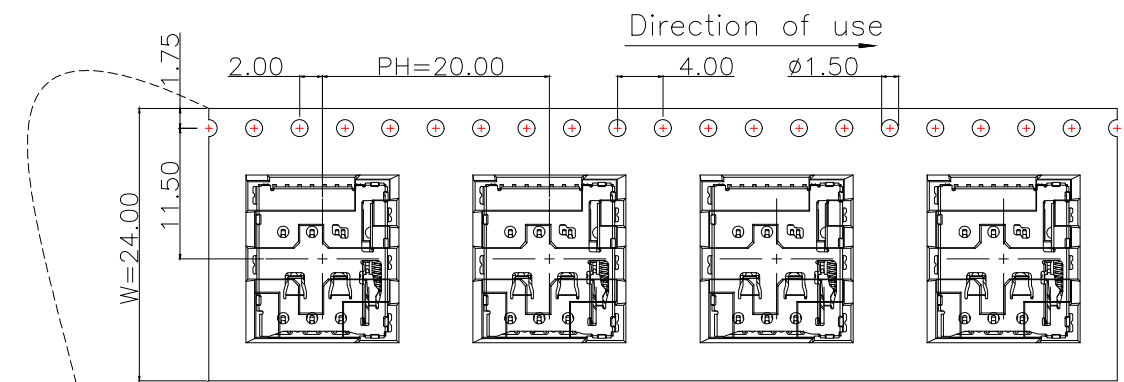


Notes:
 1. Material:
 Housing: High Temperature Thermoplastic
 Terminal: Copper Alloy
 Shell: Stainless Steel
 2. Plating:
 Terminal: 50u" Ni Underplated Overall
 G/F Plated On Contact Area
 G/F Plated On Solder Area
 Shell: 30u" Ni Underplated Overall
 G/F Plated On Contact Area And Solder Area
 3. Technical Speciality:
 Rated Voltage: 30V
 Current Rating: 0.5A
 Insulation Resistance: 1000MΩ Min.
 Contact Resistance: 100mΩ Max.
 Withstanding Voltage: 500V DC For 1 Minutes.
 Operating Temperature: -40℃~+75℃ Humidity
 80% R.H Max.

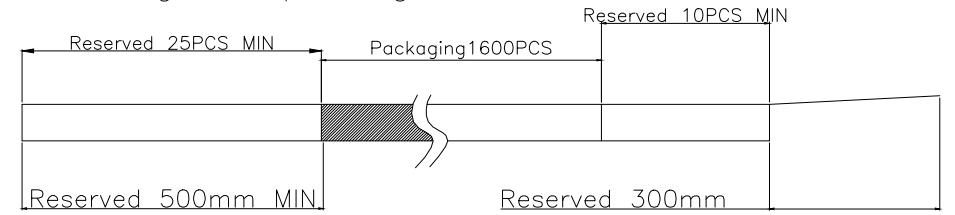
Connector Pin Assignment

NANO SIM CARD	
Pin No.	NAME
C1	VCC OF SIM
C2	RST OF SIM
C3	CLK OF SIM
C5	GND OF SIM
C6	VPP OF SIM
C7	I/O OF SIM
CD	Detection Switch

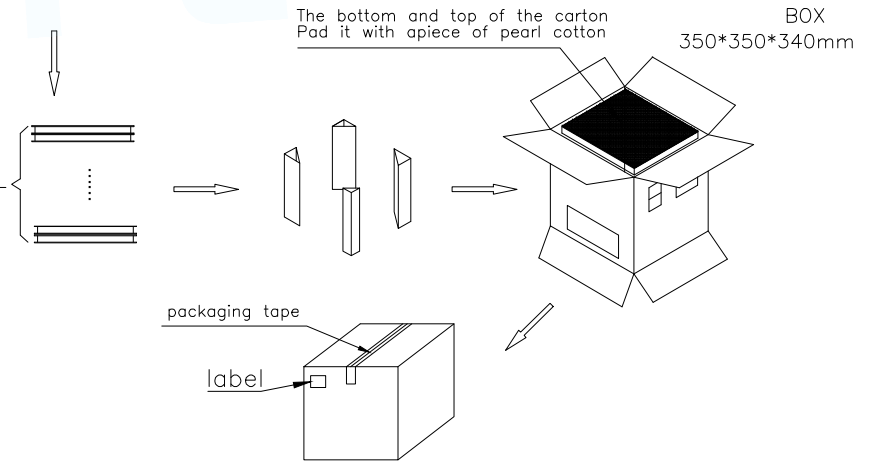
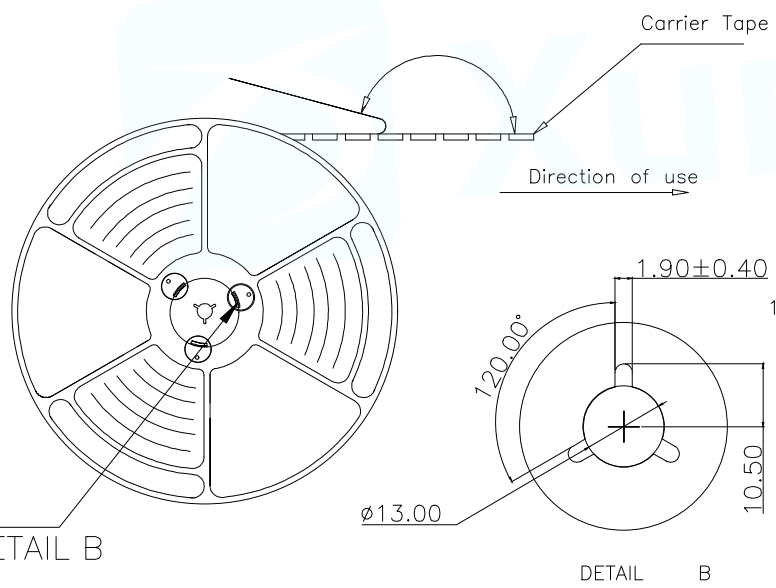
MANUFACTURE DWG		东莞市讯普电子科技有限公司 DongGuan XunPu Electronics Co., Ltd	
UNLESS OTHERWISE SPECIFIED TOLERANCES			TITLE: 1.24H Push-Push Nano-SIM卡座
DECIMALS:	ANGLES:		PAR SMN-308-ARSP7
.X: ±0.30	X.°: ±3'		DWN
.XX: ±0.20	X.X': ±2'		CHKD
.XXX: ±0.10		APVD	SCALE 1:1 UNIT: MM
CUSTOMER COPY		SIZE: A4	UNIT: MM
		SHEET: 1F1	REV: A



NOTES:
 1. Packing quantity per plate: 1600PCS/Plate
 2. Loading and packing method



3. Total packaging: 16000PCS/Box



Part Number	Description	Quantity
303020196	Carrier band (Lucent, PET W=24 PH=20, T=0.3)	327.0m
303040009	Box (K=K, T=7.0, 350*350*340)	1PCS
303060001	PE Bag (T=0.08mm, 730*760*730)	1PCS
303070024	Self-adhesive (W=21.30)	330m
303110001	Beam (K=K, T=7.0, 95*95*290)	4PCS
303130001	Pearl Wool (340*340*18)	2PCS
303180017	REEL (BLUE, 13Inches*24mm, #330)	10PCS
SMN-308-ARSP7	1.24H Push-Push Nano-Sim Card <NS011-100>	16000PCS

MANUFACTURE DWG			东莞市讯普电子科技有限公司 DongGuan XunPu Electronics Co., Ltd	
UNLESS OTHERWISE SPECIFIED TOLERANCES			TITLE: 1.24 NANO SIM PUSH CONN CUSTOMER	
DECIMALS:	ANGLES:	PAR	SMN-308-ARSP7	
.X: ±0.30	X.: ±3'	DWN		
.XX: ±0.20	X.X': ±2'	CHKD		
.XXX: ±0.10		APVD		
CUSTOMER COPY		SCALE: 1:1	UNIT: MM	
		SIZE: A4	SHEET: 1F1	REV: A

X-ON Electronics

Largest Supplier of Electrical and Electronic Components

Click to view similar products for [Memory Card Connectors](#) category:

Click to view products by [XUNPU](#) manufacturer:

Other Similar products are found below :

[6407-249V-25273P](#) [6407-249V-25343P](#) [6426-201-21343](#) [69.920.0553.0](#) [MCR60A-98D-2.54DSA\(70\)](#) [809180410000000](#) [DM3AT-SF-PEJM5\(41\)](#) [IC11S-BUR-PNEJL\(71\)](#) [C70210M0083692](#) [2041353-2](#) [308-DS1P0811-192](#) [HM2P09PDR360N9LF](#) [10014744-011TLF](#) [11327-001](#) [11327-002](#) [NX1-32T-KT3K\(05\)](#) [95622-003LF](#) [84648-056HLF](#) [CCM03-3109 B LFT](#) [MS3116J10-6PW](#) [2309923-1](#) [61126-050CAHLF](#) [GTFP08432B1HR](#) [G85D1160022HHR](#) [SCE2MSDB76A121SN](#) [SCE2MSDZN76A121SN](#) [10014744-011ALF](#) [10014744-011LF](#) [10057542-1211FLF](#) [10067972-000LF](#) [10067972-050LF](#) [10122302-20110LF](#) [G85D1162022HHR](#) [TF-05A](#) [SMN-304-ARP6](#) [MIS11-S1F1-2000-A](#) [SMN-308-ARSP7](#) [MCS-302S-KT1B](#) [SMN-308-ACSP7](#) [K-DYX-008](#) [K-DYX-004](#) [HYCW126-TF18-150B](#) [C7024-03](#) [SMO-1030](#) [MCS-110-KT](#) [SIM-217](#) [SNO-1355-KT](#) [SMO-1025-P10](#) [SIM-211S-P6](#) [SNO-1440](#)