



SMN-315-ARP7
W13.90xD11.20xH1.25

PIN 数(Number of contacts) : 6+1PIN

耐电压(Withstand voltage) : 500V AC for 1 min

操作方式(Operation mode): 自弹式/PUSH PUSH

操作寿命(Operation life): 5,000 Cycles Min

温度范围(Operating temp): -40°C TO +80°C

焊接温度(Welding temperature): 260±5° 5s

额定负荷(Rated load): 0.5A PERP IN.

焊接方式(Welding mode): 贴片式/SMT

接触电阻(Contact resistance): 100mΩ max.

包装方式(Packaging method): 卷带/Tape & Reel (TR)

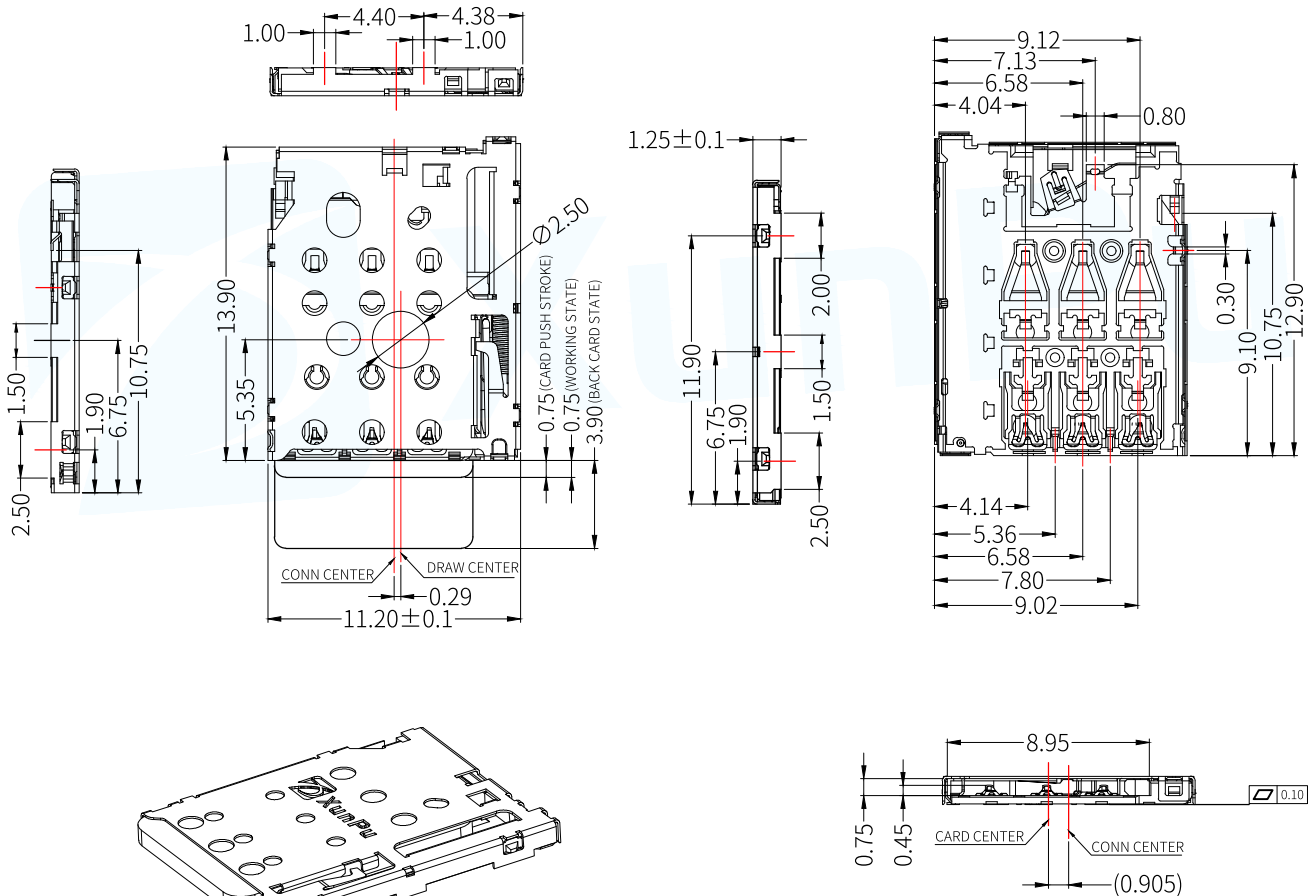
绝缘电阻(Insulation resistance): 1000MΩ min.

最小包装(Minimum packing): 2,000/PCS

外形尺寸 (UNIT:MM) / Size Chart

www.xunpudianzi.com

更多资料请参考技术选型档!



ITEM	PART NAME	MATERIAL	DESCRIPTION
1	HOUSING	LCP	GLASS FILLED(OR EQUAL),UL 94V-0,BLACK
2	TERMINAL	C5240-SH T=0.10	GOLD PATED ON CONTACT AREA"A" SEE "PLATED CODE NOTE" GOLD FLASH PLATED ON CONTACT AREA"B" AND SOLDER TAIL ATEA NICKEL 50~150u" UNDER PLATED OVER ALL
3	SHELL	SUS301-H T=0.10	GOLD FLASH PLATED ON SOLDER TAIL AREA NICKEL 30~100u" UNDER PLATED OVER ALL
4	SLIDE	PA46	GLASS FILLED(OR EQUAL),UL 94V-0,BLACK
5	SPRING	SUS	NO PLATING
6	HOOK	SUS304	NO PLATING

NOTES

- 1.FINISH
- 1-1.CONTACT:
 - CONTACT AREA: Au" 1~3U" Min
 - GOLD FLASH PLATING ON SOLDER AREA
- 1-2.SHELL:
 - SOLDER AREA: GOLD FLASH

X-ON Electronics

Largest Supplier of Electrical and Electronic Components

Click to view similar products for [Memory Card Connectors](#) category:

Click to view products by [XUNPU](#) manufacturer:

Other Similar products are found below :

[M10-597810-355](#) [M21-033321-005](#) [6426-201-21343](#) [69.920.0553.0](#) [MCR60A-98D-2.54DSA\(70\)](#) [FCN-568P068-G/07-4V](#) [809180410000000](#)
[95622-003LF](#) [AD2-262F-38900-232](#) [DM3AT-SF-PEJM5\(41\)](#) [EN2997S72039F6](#) [N7E50-7516PG-20-WF](#) [IC11S-BUR-PNEJL\(71\)](#) [NX30TA-](#)
[15PAA\(50\)](#) [21920-5](#) [2041353-2](#) [FUA006-3220-0](#) [308-DS1P0811-192](#) [33CFAE-DN](#) [MI21A-50PD-SF-EJR\(91\)](#) [502431-1011](#) [5175651-2](#) [10-](#)
[247926-166](#) [10-629549-258N](#) [11327-001](#) [11327-002](#) [EN2997S02039B8](#) [EN2997S61212BN](#) [EN2997S72039B6](#) [EN2997SE02039B8](#)
[EN2997SE61212BN](#) [EN2997SE72039B6](#) [603020000](#) [617230001](#) [71-252718-32P](#) [NX1-32T-KT3K\(05\)](#) [95622-003LF](#) [91-570124-15P](#)
[192900-0488](#) [N7E50-U516RB-50-SIN0005](#) [DM1AA-SF-PEJ](#) [95079-00CALF](#) [84648-056HLF](#) [68-580163-21S](#) [33DVIR-29S12R](#)
[SF58S006VBBR2000](#) [93-570123-08P](#) [GMC020080HR](#) [125A-78C00](#) [1010040575#](#)