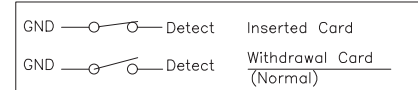


NOTE:

△ Material & Finish See Table;

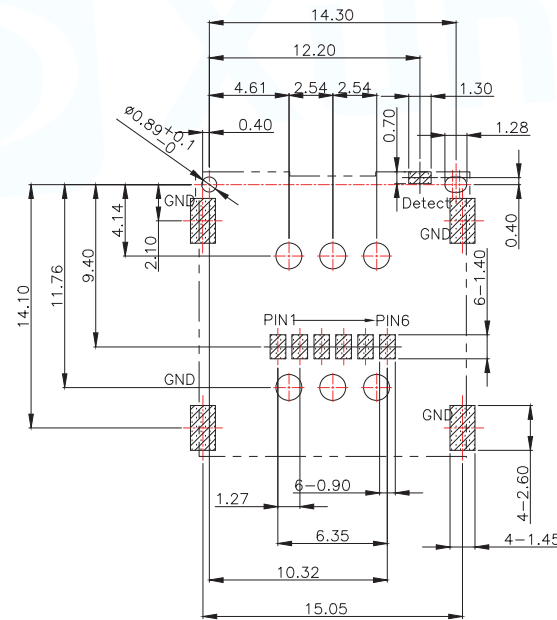
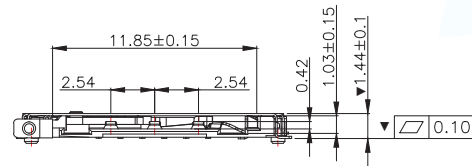
2. Circuit Diagram For Switch



3. Characteristic:

- 3-1.Current Rating :1A max.
- 3-2.Contact Resistance:50mOhms max
- 3-3.Insulation Resistance:100M0hms min./500VDC
- 3-4.Dielectric Withstanding Voltage:500VAC/1minute
- 3-5.Mating Force: 10N Max, Withdrawal Force: 1N Min.;
- 3-6.Durability: 1500 Cycles
- 3-7.Operating Temperature:-25°C to+85°C

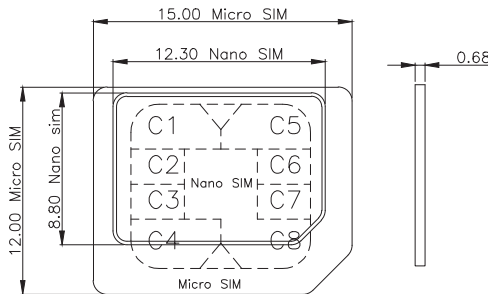
PIN 1#	C1: VCC
PIN 2#	C5: Grand
PIN 3#	C2: Reset
PIN 4#	C6: VPP
PIN 5#	C3: Clock
PIN 6#	C7: I/O



▨ PAD AREA

■ KEEP OUT AREA

RECOMMENDED PCB LAYOUT
GENERAL TOLERANCE ±0.05



6	Shell	Stainless Steel	Nickel Under Plated Overall.
5	Lever	Stainless Steel	/
4	Cam	Stainless Steel	/
3	Housing	Thermoplastics	Black,UL94V-0
2	Detect	Copper Alloy	Gold Flash on Solder Tails and Contact Area; Nickel Under Plated Overall.
1	Terminal	Copper Alloy	Gold Flash on Solder Tails and Contact Area; Nickel Under Plated Overall.

Item	Part Name	Material	Description
------	-----------	----------	-------------

MANUFACTURE DWG



UNLESS OTHERWISE SPECIFIED TOLERANCES



TITLE:NANO SIM CARD H1.5 6pin
检测PIN

PAR SMN-328-ACP7

DECIMALS: ANGLES:

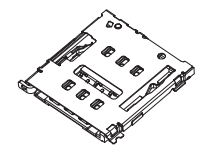
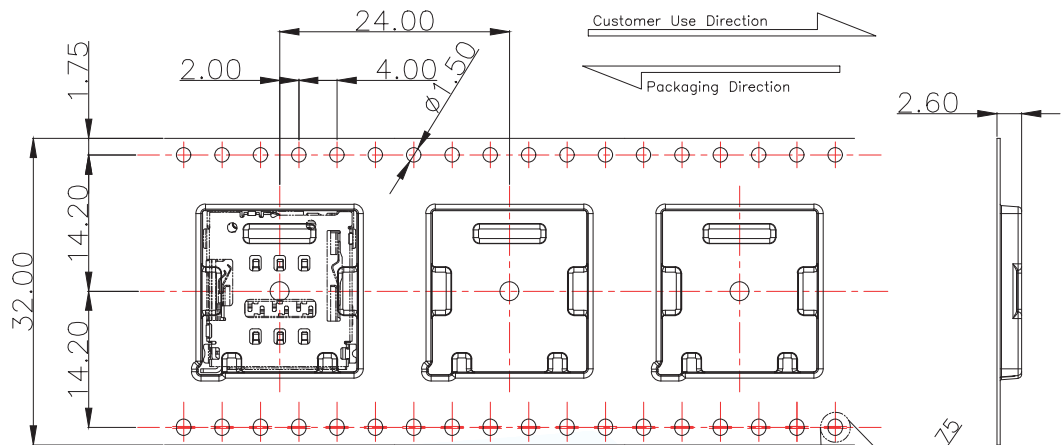
X.:±0.50 X.:±2'

X.X:±0.20 X.X':±1'

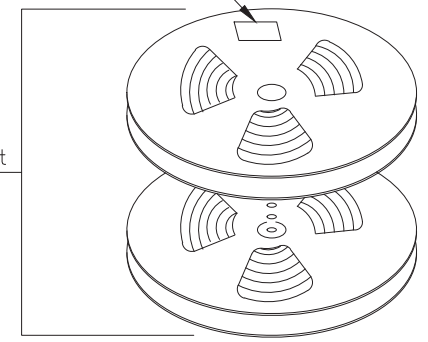
X.XX:±0.10

SCALE:1:1 UNIT:MM

CUSTOMER COPY SIZE:A4 SHEET:1F1 REV:A

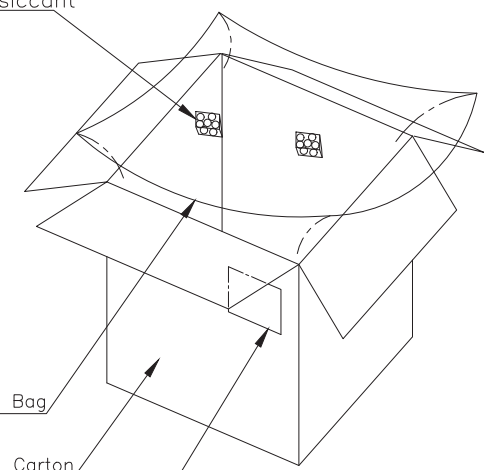


Reel Label



Reel with Product
10 Reel

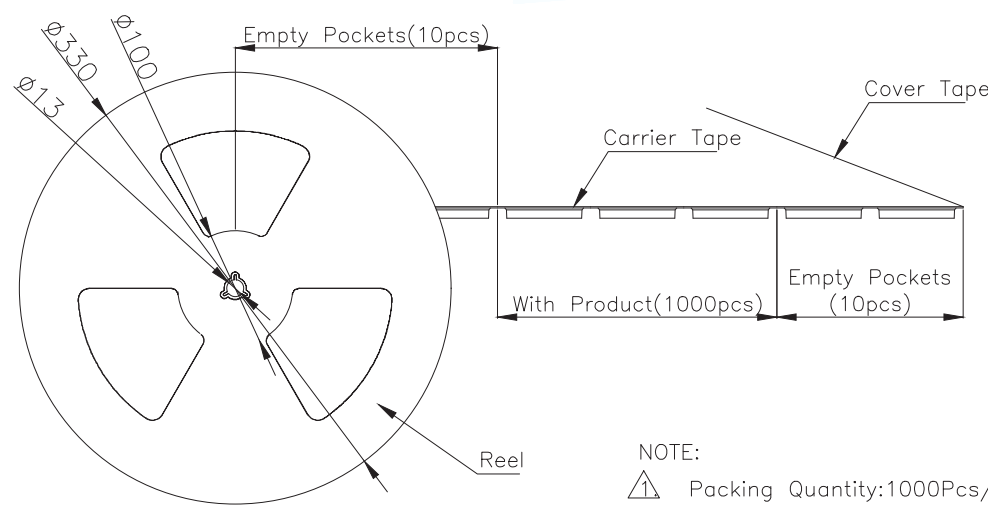
Desiccant



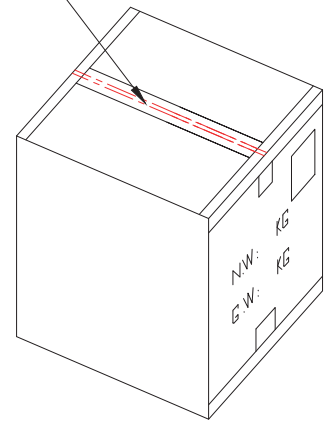
Waterproof Bag

Carton

Carton Label



Sealing Tape



NOTE:
 1. Packing Quantity: 1000Pcs/Reel, 10Kpcs/Carton;
 2. When Carton Fill Zero, Then Fill of Polyethylene Foam;

MANUFACTURE DWG		东莞市讯普电子科技有限公司 DongGuan XunPu Electronics Co., Ltd	
UNLESS OTHERWISE SPECIFIED TOLERANCES		TITLE: NANO SIM CARD H1.5 6pin 带检测PIN 包装图	
DECIMALS:	ANGLES:	PAR	SMN-328-ACP7
X.: ±0.50	X.°: ±2'	DWN	
X.X: ±0.20	X.X°: ±1'	CHKD	
X.XX: ±0.10		APVD	
CUSTOMER COPY		SCALE: 1:1	UNIT: MM
		SIZE: A4	SHEET: 1F1
			REV: A



X-ON Electronics

Largest Supplier of Electrical and Electronic Components

Click to view similar products for [Memory Card Connectors](#) category:

Click to view products by [XUNPU](#) manufacturer:

Other Similar products are found below :

[M21-033321-005](#) [6407-249V-25273P](#) [6407-249V-25343P](#) [6426-201-21343](#) [69.920.0553.0](#) [MCR60A-98D-2.54DSA\(70\)](#) [809180410000000](#)
[DM3AT-SF-PEJM5\(41\)](#) [IC11S-BUR-PNEJL\(71\)](#) [252-0144-000](#) [2041353-2](#) [308-DS1P0811-192](#) [HM2P09PDR360N9LF](#) [10014744-011TLF](#)
[11327-001](#) [11327-002](#) [617230001](#) [NX1-32T-KT3K\(05\)](#) [N7E50-U516RB-50-SIN0005](#) [68-580163-21S](#) [125A-78C00](#) [CCM03-3109 B LFT](#)
[2309923-1](#) [61126-050CAHLF](#) [IC1GA-68PD-1.27DS-EJ\(72\)](#) [GTFP08432B1HR](#) [SCE2MSDZN76A121SN](#) [10014744-011ALF](#) [10014744-](#)
[011LF](#) [10057542-1211FLF](#) [10067972-000LF](#) [10067972-050LF](#) [10122302-20110LF](#) [G85D1162022HHR](#) [MUP-C7809-1](#) [NANO SIM 7P](#)
[H1.37](#) [MICRO SIM 7P H1.35](#) [TF-CARD H1.8 SY](#) [MICRO SIM 6P H1.35](#) [TF-CARD H1.8](#) [TF-115Y-BCP9](#) [TF-115YY-ACP9](#) [SMN-309-](#)
[ARP6](#) [TF-115Y-ACP9](#) [TF-108-ARP10](#) [SMN-303S-ACP7](#) [SNO-14100](#) [SD-112S](#) [MUP-C7804-1](#) [KH-TF-07DT](#)