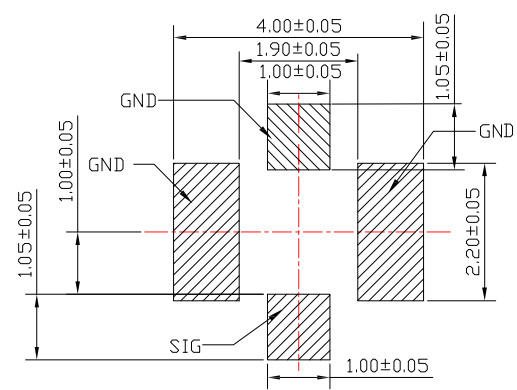
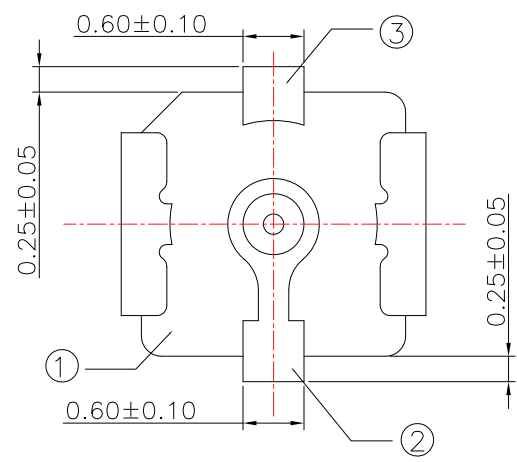


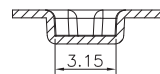
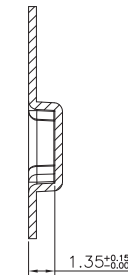
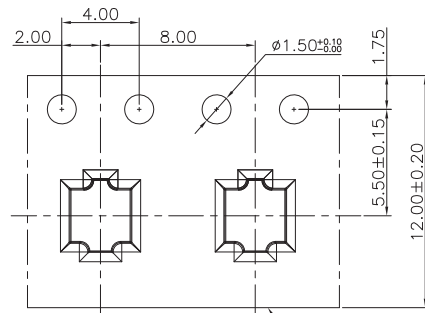
RECOMMENDED PCB LAYOUT 1  
(GENERAL TOLERANCE IS ±0.05)

NOTE:  
 1. MATERIAL:  
 ① 1.1. HOUSING:THERMOPLASTIC,COLOR:WHITE,UL 94V-0;  
 ② 1.2. CONTACT: COPPER ALLOY,T=0.15mm;  
 ③ 1.3. SHELL:COPPER ALLOY,T=0.15mm.  
 2. FINISH:  
 2.1. CONTACT: GOLD FLASH PLATED ON MATING AREA, GOLD FLASH ON SOLDER TAILS, NICKEL UNDER PLATED OVER OF THE ALL;  
 2.2. SHELL: GOLD FLASH ON THE ALL,NICKEL PLATED UNDER.

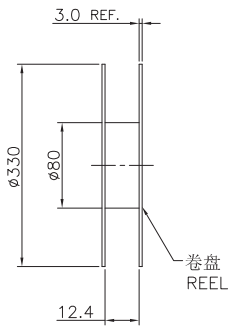


RECOMMENDED PCB LAYOUT 2  
(GENERAL TOLERANCE IS ±0.05)

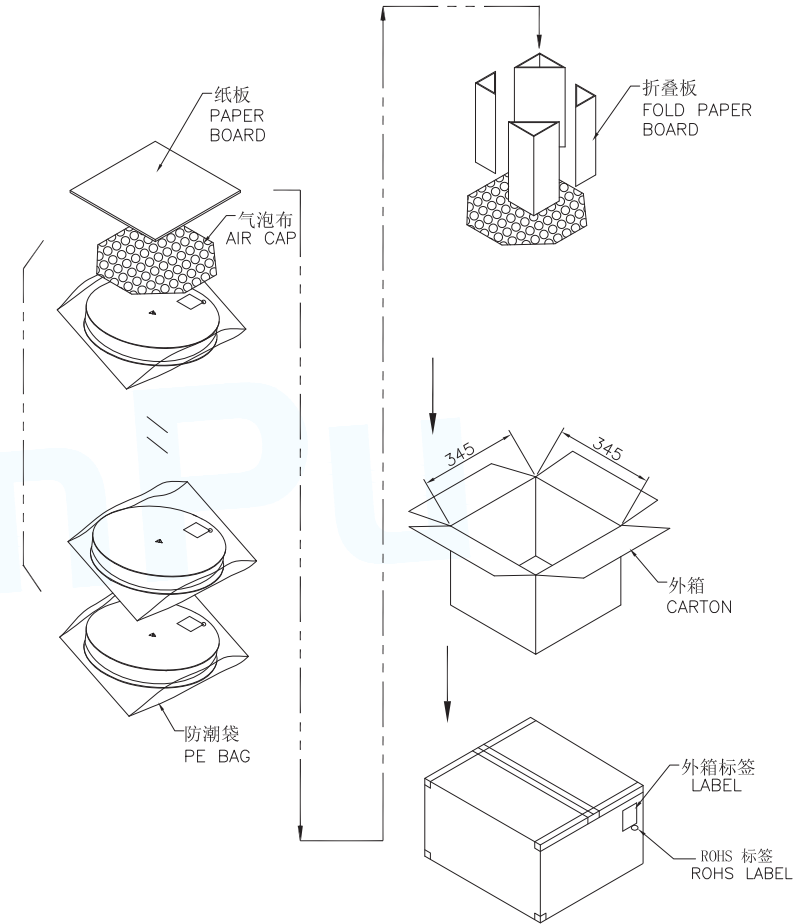
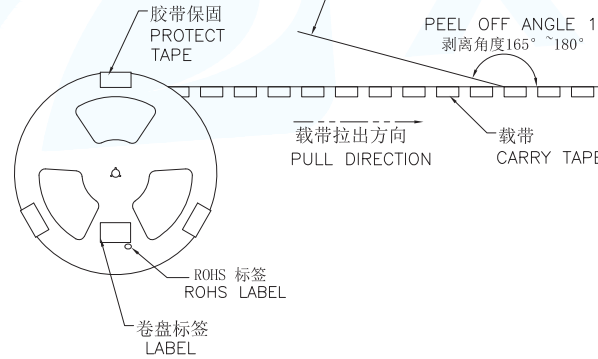
|                                       |          |   |   |           |            |
|---------------------------------------|----------|---|---|-----------|------------|
| MANUFACTURE DWG                       |          | 东莞市讯普电子科技有限公司<br>DongGuan XunPu Electronics Co.,Ltd |   |           |            |
| UNLESS OTHERWISE SPECIFIED TOLERANCES |          |   | TITLE:ULTRA SMALL SURFACE MOUNT COAXIAL CONN. USS RF SERIES |           |            |
| DECIMALS:                             | ANGLES:  |   | PAR   | SP-RF-001 |            |
| X.:±0.50                              | X'.:±2'  |   | DWN   | KING      | 2013.06.11 |
| X.X:±0.10                             | X.X':±1' |   | CHKD  | APVD      |            |
| X.XX:±0.05                            |          | SCALE:1:1   | UNIT:MM   |           |            |
|                                       |          | CUSTOMER COPY                                       | SIZE:A4   | SHEET:1F1 | REV:A      |



载带  
CARRY TAPE



卷盘  
REEL



1: 包装内容  
INFORMATIONS OF THE PACKING

| 品名 (TITLE)       | 料号 (P/N)  | 一卷包装数量<br>Q'TY/REEL | 一箱包装数量<br>Q'TY/CARTON |
|------------------|-----------|---------------------|-----------------------|
| RF 2.5H REC CONN | SP-RF-001 | 4500PCS             | 18000PCS              |

|                                       |                 |   |   |           |            |
|---------------------------------------|-----------------|---|---|-----------|------------|
| MANUFACTURE DWG                       |                 | 东莞市讯普电子科技有限公司<br>DongGuan XunPu Electronics Co.,Ltd |   |           |            |
| UNLESS OTHERWISE SPECIFIED TOLERANCES |                 |   | TITLE:ULTRA SMALL SURFACE MOUNT COAXIAL CONN. USS RF SERIES |           |            |
| DECIMALS:                             | ANGLES:         |   | PAR   | SP-RF-001 |            |
| X.: $\pm 0.50$                        | X':: $\pm 2'$   |   | DWN   | KING      | 2013.06.11 |
| X.X: $\pm 0.10$                       | X.X':: $\pm 1'$ |   | CHKD  | APVD      |            |
| X.XX: $\pm 0.05$                      |                 | SCALE:1:1   | UNIT:MM   |           |            |
| CUSTOMER COPY                         |                 | SIZE:A4   | SHEET:1F1   | REV:A     |            |

## X-ON Electronics

Largest Supplier of Electrical and Electronic Components

*Click to view similar products for [RF Connectors](#) / [Coaxial Connectors](#) category:*

*Click to view products by [XUNPU](#) manufacturer:*

Other Similar products are found below :

[8915-1511-000](#) [89674-0827](#) [6001-7071-019](#) [6002-7051-003](#) [6059674-1](#) [619550-1](#) [630059-000](#) [M39012/25-3026](#) [M39030/3-01N](#) [6501-1071-002](#) [6769](#) [7002-1541-010](#) [7003-1542-011](#) [7004-1512-000](#) [7009-1511-004](#) [7029-1511-060](#) [7101-1541-010](#) [7101-1571-002](#) [7105-1521-002](#) [7203-1571-003](#) [7209-1511-011](#) [7210-1511-015](#) [7210-1511-040](#) [7242-1511-000](#) [73216-2241](#) [73404-2300](#) [7405-1521-005](#) [7405-1521-802](#) [7406-1521-005](#) [8527](#) [8547](#) [FS11V](#) [877931](#) [8808-1511-001](#) [9049-9513-000](#) [9074-9513-000](#) [910A205F](#) [PL40-36](#) [PL40-5](#) [PL71-9](#) [980-8666-005](#) [1200690078](#) [1-201144-1](#) [120919](#) [R107003010W](#) [R110A172100](#) [R112186000](#) [R113053000W](#) [R113081000](#) [R113082097](#)