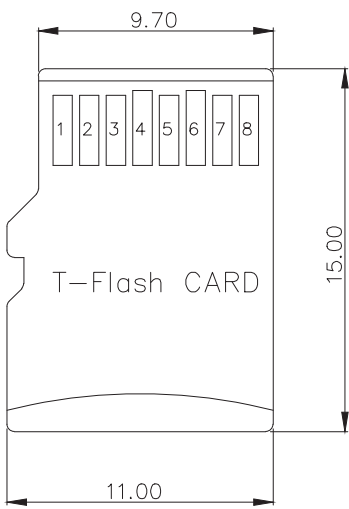
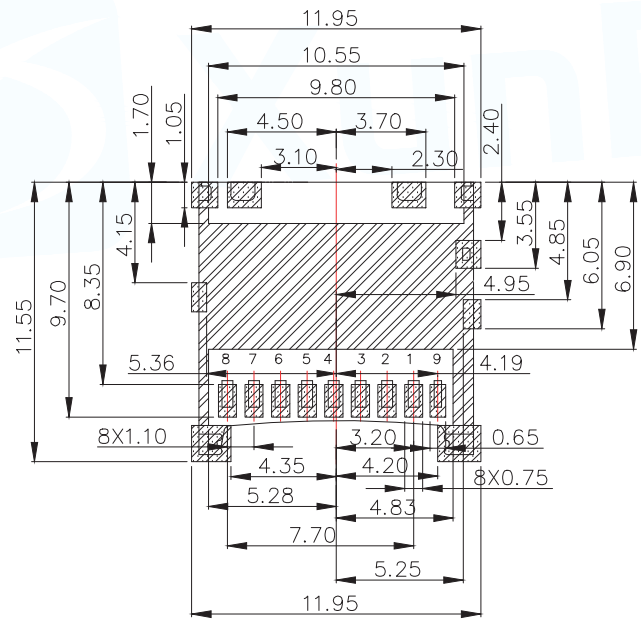
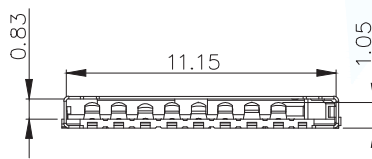


SPECIFICATIONS:

- ELECTRICAL CHARACTERISTICS**
 - CONTACT RESISTANCE: 80 milliohms MAX.
 - INSULATION RESISTANCE: 1,000 Megohms MIN.
 - DIELECTRIC WITHSTANDING VOLTAGE: 500V AC FOR 1 MINUTE.
- MECHANICAL CHARACTERISTICS**
 - RETENTION FORCE: MIN.100gf/PIN
 - DURABILITY: 5,000 CYCLES
- RoHS 2002/95/EC COMPLIANT.



PAD AREA
 KEEP OUT AREA
RECOMMENDED PCB LAYOUT
 GENERAL TOLERANCE ±0.05

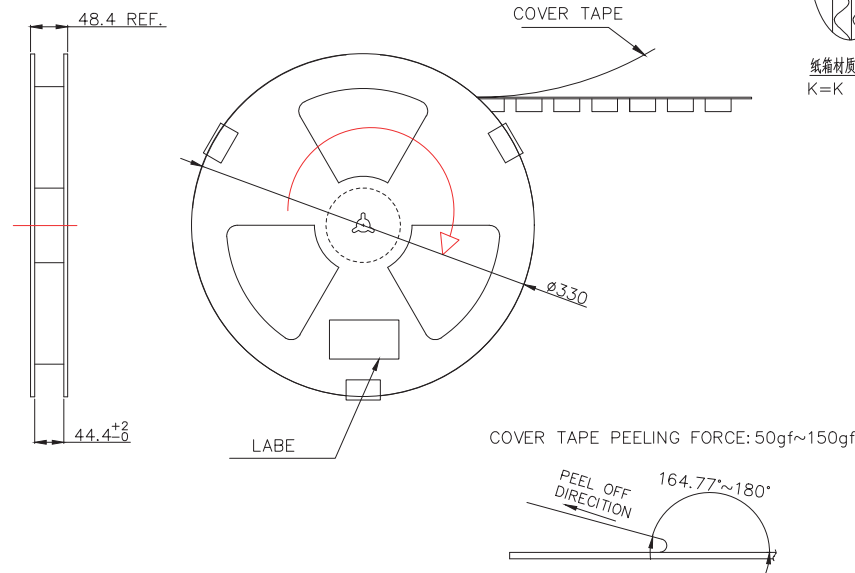
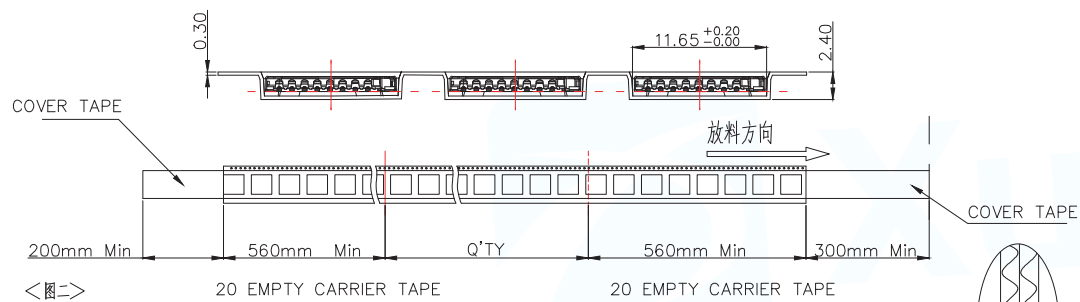
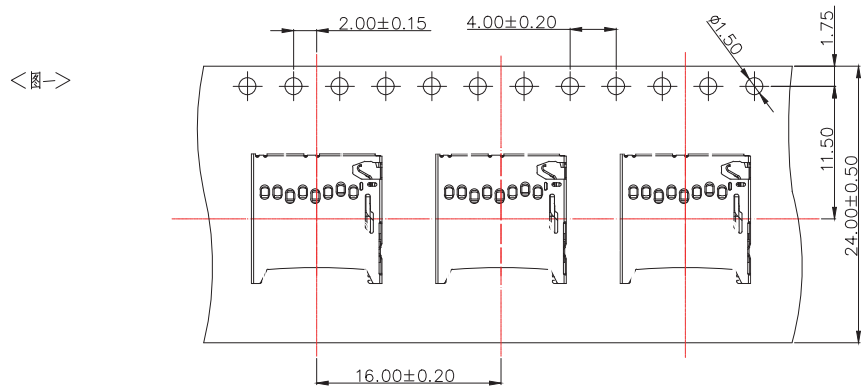
Circuit Diagram for Detect Switch



TF CARD PIN DEFINE			
PIN NO.	NAME	YYPE	DESCRIPTION
1	DAT2	I/O/PP	DATE LINE(BIT2)
2	CD/DAT3	I/O/PP	CARD DETECT DATE LIN(BIT3)
3	CMD	PP	COMMAND RESPONSE
4	VDD	S	SUPPLY VOLTAGE
5	CLX	I	CLOCK
6	VSS	S	SUPPLY VOLTAGE GROUND
7	DAT0	I/O/PP	DATE LINE(BIT0)
8	DAT1	I/O/PP	DATE LINE(DIT1)
9	SWA		

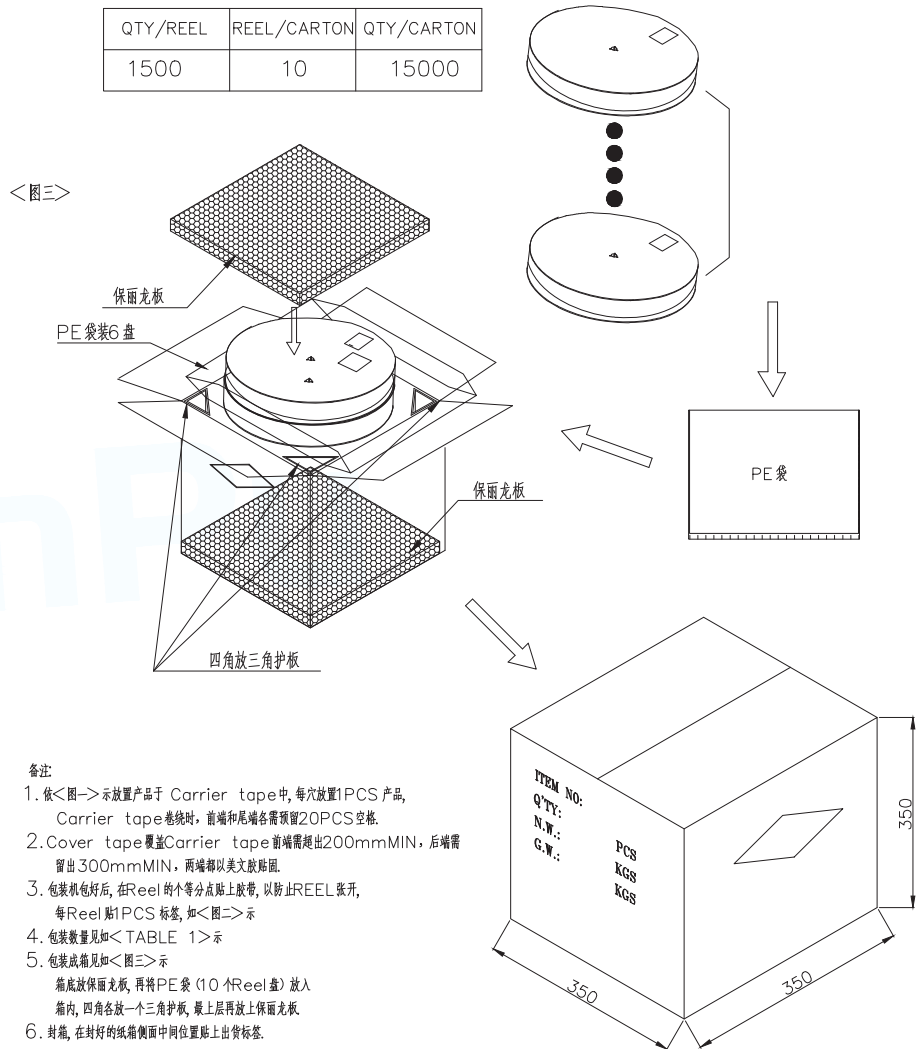
E	SW-B	1	STAINLESS STEEL	Ni/Au PLATING
D	SW-A	1	COPPER ALLOY	Ni/Au PLATING
C	SHELL-A	1	STAINLESS STEEL	Ni/Au PLATING
B	CONTACT	8	COPPER ALLOY	Gold Flash On Contact Area Tin plated on Solder tail All over Nickel Plated .
A	HOUSING	1	HIGH-TEMPERATURE PLASTIC UL94-V0	BLACK

MANUFACTURE DWG		东莞市讯普电子科技有限公司 DongGuan XunPu Electronics Co.,Ltd	
UNLESS OTHERWISE SPECIFIED TOLERANCES			TITLE: T-F CARD CONN SMT 9P 1.32H
DECIMALS:	ANGLES:		PAR TF-110
X.: ±0.50	X.: ±2°		DWN
X.X: ±0.30	X.X': ±1°		CHKD
X.XX: ±0.20		APVD	SCALE:1:1 UNIT: MM
CUSTOMER COPY		SIZE: A4	SHEET: 1F1
			REV: A



<TABLE 1> PACKAGING QUANTITY

QTY/REEL	REEL/CARTON	QTY/CARTON
1500	10	15000



- 备注:
- 依<图一>示放置产品于 Carrier tape中, 每穴放置1PCS 产品, Carrier tape卷绕时, 前端和尾端各需预留20PCS 空格.
 - Cover tape覆盖Carrier tape 前端需超出200mmMIN, 后端需留出300mmMIN, 两端需以美纹胶贴固.
 - 包装机包好后, 在Reel 的个等分点上贴胶, 以防止REEL 张开, 每Reel 贴1PCS 标签, 如<图二>示
 - 包装数量见如<TABLE 1>示
 - 包装装箱见如<图三>示
箱底放保丽龙板, 再将PE袋 (10个Reel盘) 放入箱内, 四角各放一个三角护板, 最上层再放上保丽龙板
 - 封箱, 在封好的纸箱侧面中间位置贴上出货标签.

MANUFACTURE DWG		东莞市讯普电子科技有限公司 DongGuan XunPu Electronics Co.,Ltd	
UNLESS OTHERWISE SPECIFIED TOLERANCES			TITLE: T-F CARD CONN SMT 9P 1.32H 包装图
DECIMALS:	ANGLES:		PAR TF-110
X.: ±0.50	X.°: ±2°		DWN
X.X: ±0.30	X.X°: ±1°		CHKD
X.XX: ±0.20		APVD	SCALE: 1:1 UNIT: MM
CUSTOMER COPY		SIZE: A4	SHEET: 1F1 REV: A

X-ON Electronics

Largest Supplier of Electrical and Electronic Components

Click to view similar products for [Standard Card Edge Connectors](#) category:

Click to view products by [XUNPU](#) manufacturer:

Other Similar products are found below :

[CR7E-30DB-3.96E\(72\)](#) [6565204-6](#) [1437274-4](#) [1-582587-1](#) [284-0102-12100](#) [286-0052-12101A](#) [306022901000000](#) [307-012-502-202](#) [307-056-520-300](#) [A6D22DS29C2](#) [1926088-2](#) [287-0032-12101](#) [345-060-559-303](#) [392-008-559-201](#) [534671-1](#) [341-240-317](#) [345-044-500-300](#) [346-240-318](#) [387-012-523-300](#) [395-100-524-300](#) [09-07-2032](#) [10035388-802LF](#) [10115859-011LF](#) [10122859-009LF](#) [101269333204245CLF](#) [530555-1](#) [66925-516LF](#) [5145409-2](#) [73726-0005](#) [66308-1](#) [5036A30](#) [PEC-07-02-T-S-A](#) [346-014-520-801](#) [KSLX-62-BR](#) [307-048-502-202](#) [CE100F26-7-C](#) [CE100F28-3-D](#) [CE100F28-4-D](#) [CE156F18-9-C](#) [CE156F22-5-D](#) [CE156F22-9-C](#) [CT100F22-2-D](#) [CT100F22-3-D](#) [CT100F24-2-D](#) [CT100F24-3-D](#) [CT100F24-6-C](#) [MLSS100-12-C](#) [MLSS100-16-C](#) [SCC100F-11-C](#) [SCC100F-16-C](#)