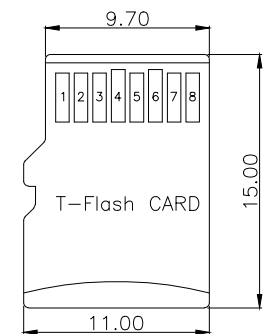
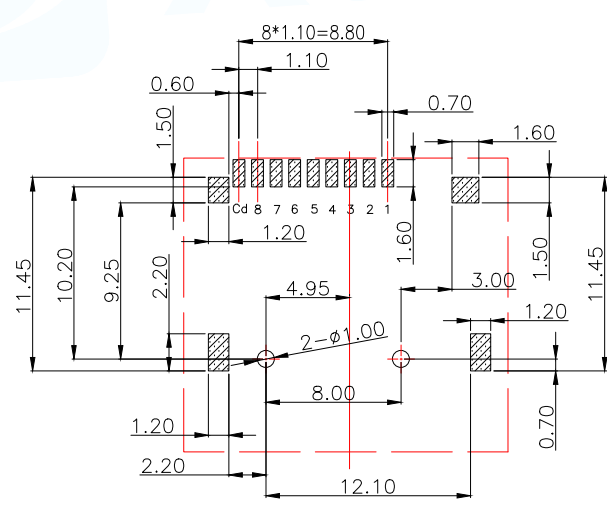
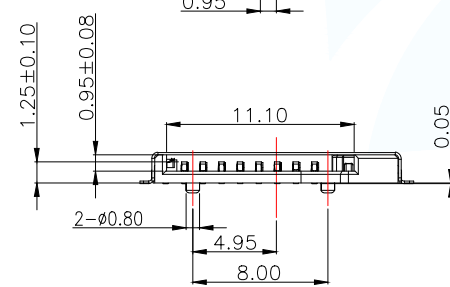
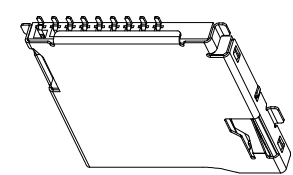


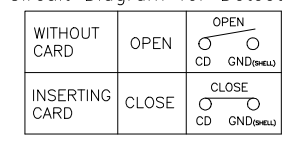
Specification:

- 1.Electrical Characteristics:  
Contact Current Rating:0.5 Amperes.  
Dielectric Withstanding Voltage:AC500V r.m.s.  
Insulation Resistance:1000 MΩ Minimum.  
Contact Resistance:40 mΩ Maximum.
- 2.Environmental:  
Operating Temperature:-25°C~+90°C.
- 3.Environmental:  
Mating Cycles:5,000 Insertions.
- 4.Mechanical Characteristics:  
Card Push Insertion/Out Force:0.2~1.40kgf.  
Contact Separation Force:0.20kgf Minimum.
- 5.Material:  
Insulator:HI-Temp Plastic UL 94V-0 Rated.  
Contact:Copper Alloy(t=0.15mm).  
Shell:Stainless Steel(t=0.15mm).  
Spring:SWP.



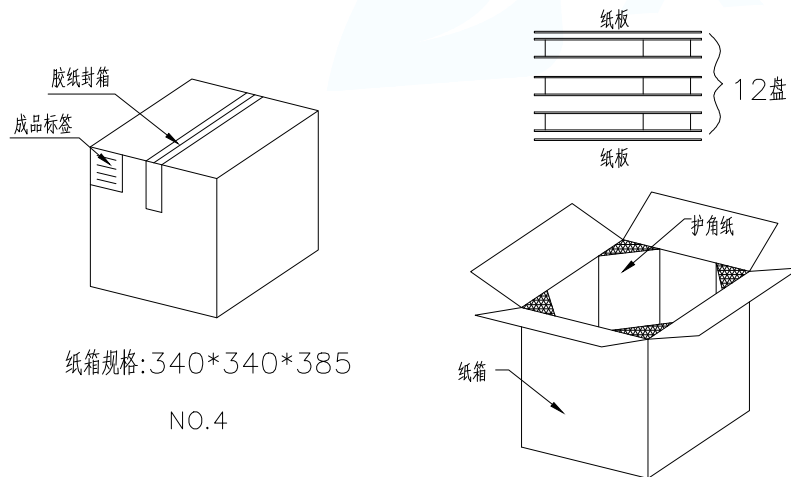
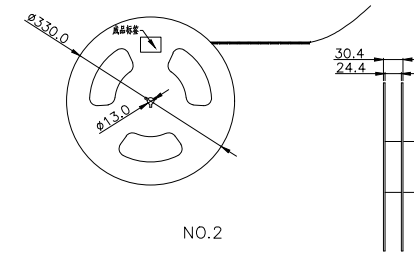
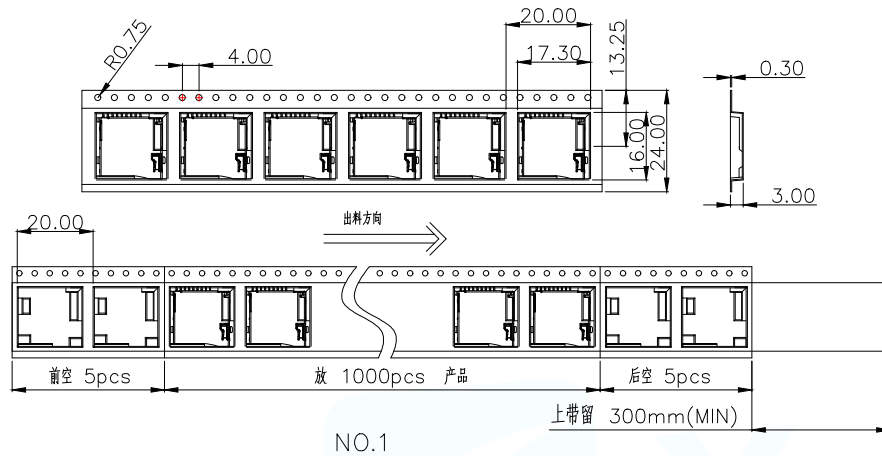
▨ PAD AREA  
■ KEEP OUT AREA  
RECOMMENDED PCB LAYOUT  
GENERAL TOLERANCE ±0.05

Circuit Diagram for Detect Switch



TF CARD PIN DEFINE			
PIN NO.	NAME	YYPE	DESCRIPTION
1	DAT2	I/O/PP	DATE LINE(BIT2)
2	CD/DAT3	I/O/PP	CARD DETECT DATE LIN(BIT3)
3	CMD	PP	COMMAND RESPONSE
4	VDD	S	SUPPLY VOLTAGE
5	CLX	I	CLOCK
6	VSS	S	SUPPLY VOLTAGE GROUND
7	DAT0	I/O/PP	DATE LINE(BIT0)
8	DAT1	I/O/PP	DATE LINE(DIT1)

MANUFACTURE DWG		东莞市讯普电子科技有限公司 DongGuan XunPu Electronics Co.,Ltd	
UNLESS OTHERWISE SPECIFIED TOLERANCES			TITLE:MICRO SD CARD PUSH PUSH SMT 镀金 外焊 自弹式 无弹片
DECIMALS:	ANGLES:		PAR TF-115Y-ACP9
X.X:±0.35	X.X':±3°		DWN
X.XX:±0.25	X.XX':±2°		CHKD
X.XXX:±0.15		APVD	SCALE:1:1 UNIT:MM
CUSTOMER COPY		SIZE:A4	SHEET:1F1
			REV:A



1. 材质要求:
- 1.1 纸箱的材质为K=K;外形尺寸为34\*34\*38.5;
  - 1.2 卷盘的材质为PS,卷盘的外形尺寸为 $\phi$ 33.0\*30.4;
  - 1.3 卷带的材质为PS,卷带的外形尺寸为20200\*24.00\*3.0mm;
2. 包装方式:
- 2.1 将卷带放入包装机后,前空5PCS,后放产品1000PCS,再后空5PCS;上带留300MM长度。
  - 2.2 将包装好的产品从包装机上取下并包装好,贴上内盘标签;
  - 2.3 把累叠好的12盘叠放入纸箱中共计12Kset,上下放纸板,纸箱四个角塞护角纸;
  - 2.4 把包装好的成品打包封箱,并在纸箱外贴上标签

MANUFACTURE DWG		 东莞市讯普电子科技有限公司 DongGuan XunPu Electronics Co.,Ltd	
UNLESS OTHERWISE SPECIFIED TOLERANCES			TITLE:MICRO SD CARD PUSH PUSH SMT 镀金 外焊 自弹式 无弹片
DECIMALS:	ANGLES:		PAR TF-115Y-ACP9
X.X:±0.35	X.X':±3°		DWN
X.XX:±0.25	X.XX':±2°		CHKD
X.XXX:±0.15		APVD	SCALE:1:1 UNIT:MM
CUSTOMER COPY		SIZE:A4	SHEET:1F1
			REV:A

## X-ON Electronics

Largest Supplier of Electrical and Electronic Components

*Click to view similar products for [Memory Card Connectors](#) category:*

*Click to view products by [XUNPU](#) manufacturer:*

Other Similar products are found below :

[M21-033321-005](#) [6407-249V-25273P](#) [6407-249V-25343P](#) [6426-201-21343](#) [69.920.0553.0](#) [MCR60A-98D-2.54DSA\(70\)](#) [809180410000000](#)  
[DM3AT-SF-PEJM5\(41\)](#) [IC11S-BUR-PNEJL\(71\)](#) [252-0144-000](#) [2041353-2](#) [308-DS1P0811-192](#) [HM2P09PDR360N9LF](#) [10014744-011TLF](#)  
[11327-001](#) [11327-002](#) [617230001](#) [NX1-32T-KT3K\(05\)](#) [N7E50-U516RB-50-SIN0005](#) [68-580163-21S](#) [125A-78C00](#) [CCM03-3109 B LFT](#)  
[2309923-1](#) [61126-050CAHLF](#) [IC1GA-68PD-1.27DS-EJ\(72\)](#) [GTFP08432B1HR](#) [SCE2MSDZN76A121SN](#) [10014744-011ALF](#) [10014744-](#)  
[011LF](#) [10057542-1211FLF](#) [10067972-000LF](#) [10067972-050LF](#) [10122302-20110LF](#) [G85D1162022HHR](#) [MUP-C7809-1](#) [NANO SIM 7P](#)  
[H1.37](#) [MICRO SIM 7P H1.35](#) [TF-CARD H1.8 SY](#) [MICRO SIM 6P H1.35](#) [TF-CARD H1.8](#) [TF-115Y-BCP9](#) [TF-115YY-ACP9](#) [SMN-309-](#)  
[ARP6](#) [TF-115Y-ACP9](#) [TF-108-ARP10](#) [SMN-303S-ACP7](#) [SNO-14100](#) [SD-112S](#) [MUP-C7804-1](#) [KH-TF-07DT](#)