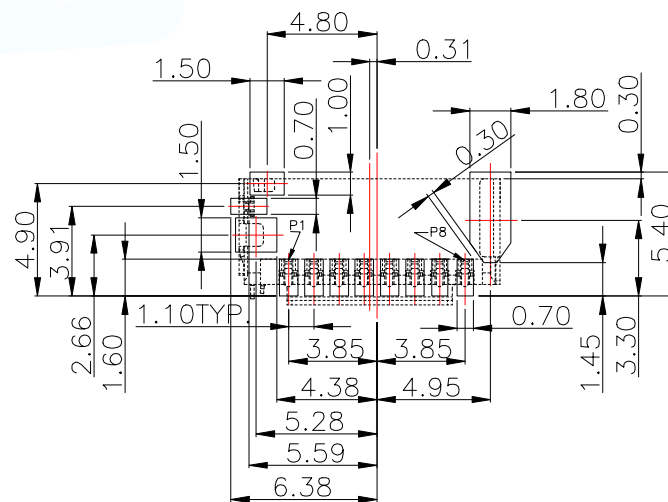
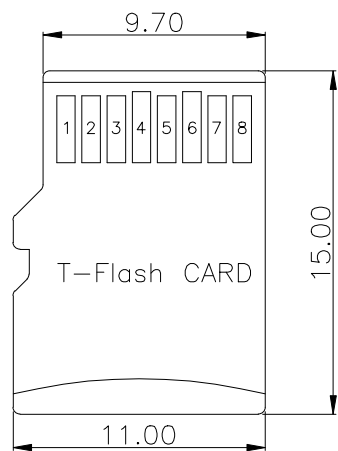
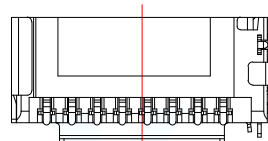
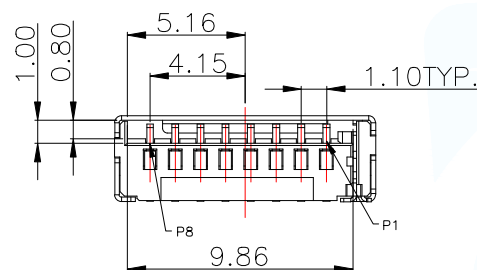


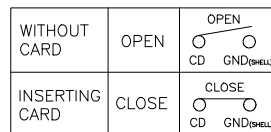
-NOTES-

- Electrical:
 - Contact resistance:50m ohms max.
 - Dielectric withstanding voltage:500V RMS.
 - Insulation resistance:1000M ohms min.
- Mechanical:
 - MATE AND UNMATE FORCE:
 - MATE FORCE:4.5kg MAX
 - UNMATE FORCE:0.5kg MIN
 - Durability:1500cycles MIN.
- Environment:
 - Operating Temperature:-25°to+85°.
- FINISH:
 - TERMINAL: C5191,Ni UNDERPALTED OVERALL
G/F PALTED ON CONTACT AREA & SOLDER AREA
 - Shell: SUS201, Ni UNDERPLATED OVERALL.
G/F PALTED ON SOLDER AREA
 - HOUSING: LCP UL94V-0 ,BLACK



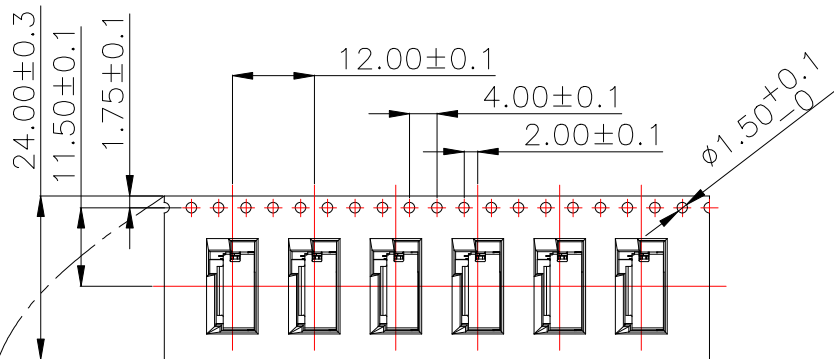
| PIN NO. | NAME | YYPE | DESCRIPTION |
|---------|---------|--------|----------------------------|
| 1 | DAT2 | I/O/PP | DATE LINE(BIT2) |
| 2 | CD/DAT3 | I/O/PP | CARD DETECT DATE LIN(BIT3) |
| 3 | CMD | PP | COMMAND RESPONSE |
| 4 | VDD | S | SUPPLY VOLTAGE |
| 5 | CLX | I | CLOCK |
| 6 | VSS | S | SUPPLY VOLTAGE GROUND |
| 7 | DAT0 | I/O/PP | DATE LINE(BIT0) |
| 8 | DAT1 | I/O/PP | DATE LINE(DIT1) |

RECOMMENDED PCB LAYOUT
GENERAL TOLERANCE ±0.05



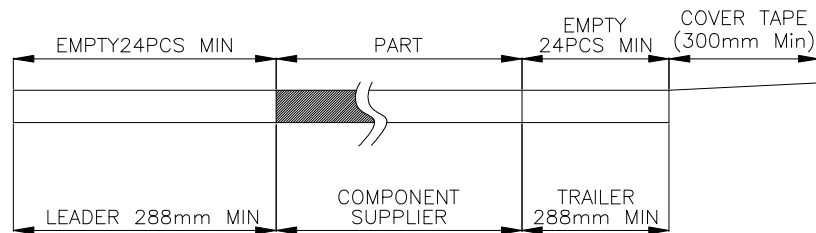
| | | | | |
|---------------------------------------|---------|---------------|-----------------------|----------------|
| MANUFACTURE DWG | | | | |
| UNLESS OTHERWISE SPECIFIED TOLERANCES | | | TITLE: TF 规格带检测PIN | |
| DECIMALS: | ANGLES: | | PAR | TF-121-ARP8H30 |
| X.X:±0.30 | X':±2' | | DWN | |
| X.XX:±0.20 | | | CHKD | |
| X.XXX:±0.10 | | | APVD | |
| | | CUSTOMER COPY | SCALE1:1 | UNIT:MM |
| | | | SIZE:A4 | SHEET:1F1 |
| | | | | REV:A |

User Direction of Unreeling →



NOTES

1. NUMBER OF CONNECTORS:SEE TABLE 2
2. LEAD TAPE LENGTH

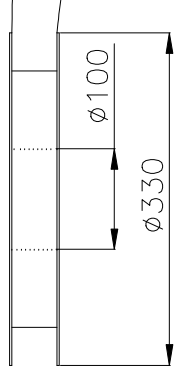


COVER TAPE PEELING ANGLE:165°~180°
PEELING FORCE:20~130g

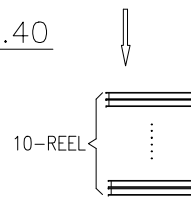
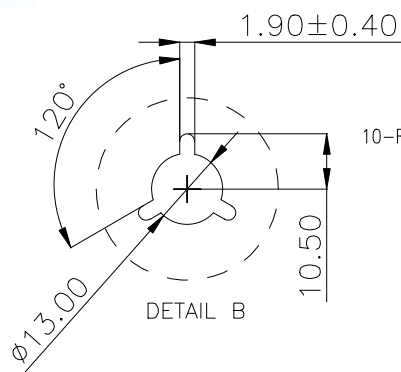
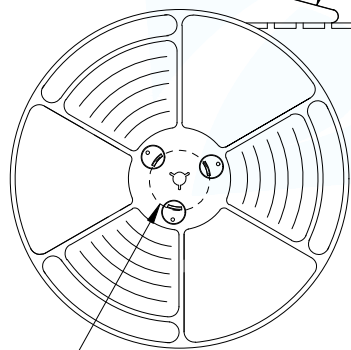
CARRIER TAPE

3. QUANTITY: 10REEL/CARTON

User Direction of Unreeling →

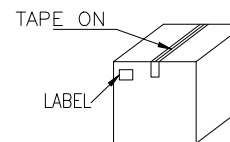


DETAIL B



4-TRIANGLE PARTITION

CARTON
345*345*310mm



| 序号 | DIM A | 料号 | 包装 |
|----|-------|----------------|------------------------------|
| 1 | 3.0 | TF-121-ARP8H30 | 1500PCS/REEL;15000PCS/CARTON |

| | | | | |
|---------------------------------------|---------|--|---|----------------|
| MANUFACTURE DWG | | | 东莞市讯普电子科技有限公司 DongGuan XunPu Electronics Co.,Ltd | |
| UNLESS OTHERWISE SPECIFIED TOLERANCES | | | TITLE: TF 规格带引脚PIN | |
| DECIMALS: | ANGLES: | CUSTOMER COPY SCALE 1:1 SIZE: A4 | PAR | TF-121-ARP8H30 |
| X.X:±0.30 | X.':±2' | | DWN | |
| X.XX:±0.20 | | | CHKD | |
| X.XXX:±0.10 | | | APVD | |
| | | | UNIT:MM | REV:A |
| | | | SHEET:1F1 | |

X-ON Electronics

Largest Supplier of Electrical and Electronic Components

Click to view similar products for [Memory Card Connectors](#) category:

Click to view products by [XUNPU](#) manufacturer:

Other Similar products are found below :

[M21-033321-005](#) [6407-249V-25273P](#) [6407-249V-25343P](#) [69.920.0553.0](#) [MCR60A-98D-2.54DSA\(70\)](#) [809180410000000](#) [DM3AT-SF-PEJM5\(41\)](#) [IC11S-BUR-PNEJL\(71\)](#) [252-0144-000](#) [2041353-2](#) [308-DS1P0811-192](#) [HM2P09PDR360N9LF](#) [10014744-011TLF](#) [11327-001](#) [11327-002](#) [617230001](#) [NX1-32T-KT3K\(05\)](#) [95622-003LF](#) [N7E50-U516RB-50-SIN0005](#) [84648-056HLF](#) [68-580163-21S](#) [93-570123-08P](#) [CCM03-3109 B LFT](#) [2309923-1](#) [61126-050CAHLF](#) [IC1GA-68PD-1.27DS-EJ\(72\)](#) [GTFP08432B1HR](#) [SCE2MSDZN76A121SN](#) [10014744-011ALF](#) [10014744-011LF](#) [10057542-1211FLF](#) [10067972-000LF](#) [10067972-050LF](#) [10122302-20110LF](#) [G85D1162022HHR](#) [MUP-C7809-1](#) [NANO SIM 7P H1.37](#) [MICRO SIM 7P H1.35](#) [TF-CARD H1.8 SY](#) [MICRO SIM 6P H1.35](#) [TF-CARD H1.8](#) [TF-115Y-BCP9](#) [TF-115YY-ACP9](#) [SMN-309-ARP6](#) [TF-115Y-ACP9](#) [TF-108-ARP10](#) [SMN-303S-ACP7](#) [SNO-14100](#) [SD-112S](#) [MUP-C7804-1](#)