

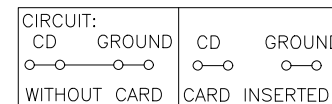
RECOMMEND PCB LAYOUT
GENERAL TOLERANCE ±0.05

NOTES:

- MATERIAL:
 - Housing: High Temperature Thermoplastic
UL94V-0; Color Black.
 - Terminal: Copper Alloy.
 - Shell: Stainless Steel.
- PLATING:
 - Contact: Contact Area: Au G/F, Solder area: Matte tin
80u"Min ; Under plate Ni 40u"Min all over
 - SHELL: Solder Area: Au G/F, Under plate Ni 30u"Min all over
 - CD PIN: Contact Area: Au G/F, Under plate Ni 40u"Min all over
- SPECIALITY:
 - Rated current: 1.0A
 - Rated voltage: 30V
 - Contact Resistance: 50mΩ MAX
 - Insulation Resistance: 1000MΩ MIN 500V DC
 - Dielectric withstanding voltage: 500V AC.
 - Solder ability: 255±5t, 5±0.5s.
 - Durability: 10000 Cycles Min.
 - Operating condition: Temperature -40t~+85t, Humidity 80% R.H MAX

Pin No.	MICRO SD	
PIN1	DAT2	1P
PIN2	CD/DAT3	2P
PIN3	CMD	3P
PIN4	VDD	4P
PIN5	CLK	5P
PIN6	VSS	6P
PIN7	DAT0	7P
PIN8	DAT1	8P
PIN9	CARD DETECT	
PIN10	CARD DETECT	

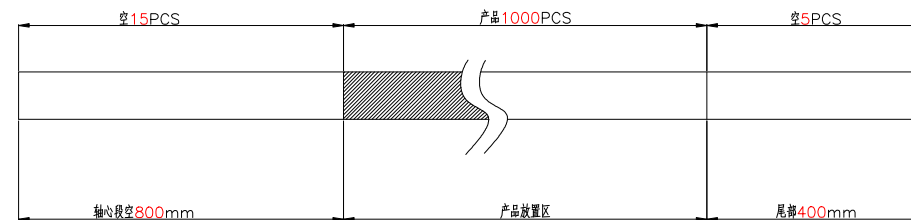
开关插卡状态



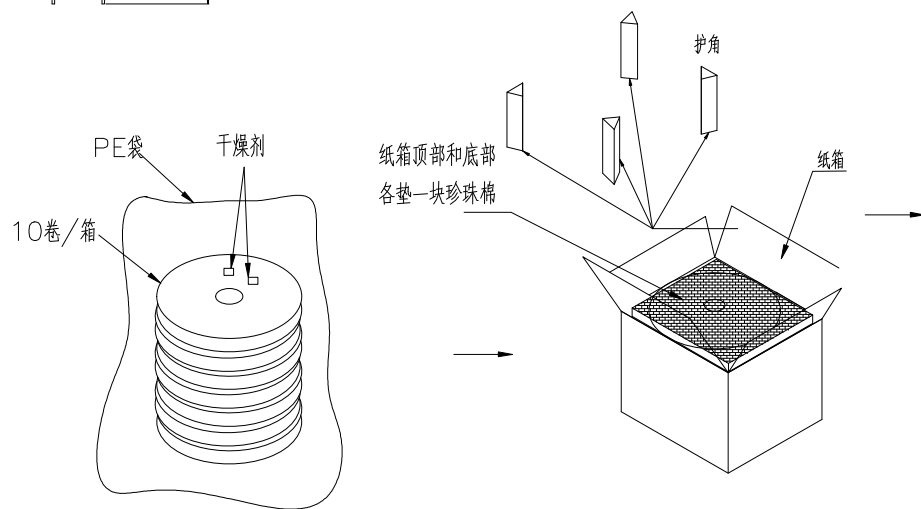
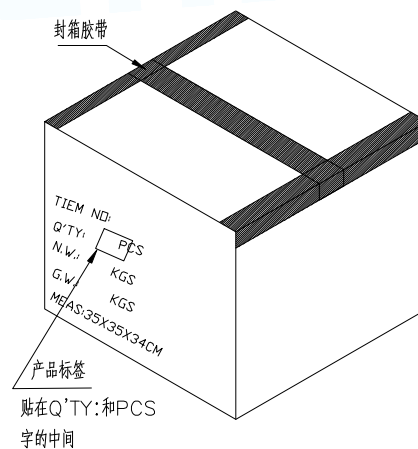
MANUFACTURE DWG			东莞市讯普电子科技有限公司 DongGuan XunPu Electronics Co.,Ltd	
UNLESS OTHERWISE SPECIFIED TOLERANCES			TITLE: 1.85H P_P TF Card 一体式无柱 客户图	
DECIMALS:	ANGLES:		PAR	TF-125-ARP10
.X: ±0.30	X.°: ±2'		DWN	
.XX: ±0.20	X.X.°: ±1'		CHKD	
.XXX: ±0.10			APVD	
Website address		SCALE 1:1	UNIT: MM	
		SIZE: A4	SHEET: 1F1	REV: A

NOTES

1. 每卷包装数量: 1000PCS/每卷
2. 卷带包装方式:



3. 每箱包装数量: 10000PCS/箱



MANUFACTURE DWG		 东莞市讯普电子科技有限公司 DongGuan XunPu Electronics Co.,Ltd	TITLE: 1.85H P_P TF Card 一体式无柱 客户图	
UNLESS OTHERWISE SPECIFIED TOLERANCES			PAR	TF-125-ARP10
DECIMALS:	ANGLES:	DWN		
.X: ±0.30	X.' : ±2°	CHKD		
.XX: ±0.20	X.X' : ±1°	APVD		
.XXX: ±0.10		SCALE 1:1	UNIT: MM	
		SIZE: A4	SHEET: 1F1	
		Website address	REV: A	

X-ON Electronics

Largest Supplier of Electrical and Electronic Components

Click to view similar products for [Memory Card Connectors](#) category:

Click to view products by [XUNPU](#) manufacturer:

Other Similar products are found below :

[M21-033321-005](#) [6407-249V-25273P](#) [6407-249V-25343P](#) [69.920.0553.0](#) [MCR60A-98D-2.54DSA\(70\)](#) [809180410000000](#) [DM3AT-SF-PEJM5\(41\)](#) [IC11S-BUR-PNEJL\(71\)](#) [252-0144-000](#) [2041353-2](#) [308-DS1P0811-192](#) [HM2P09PDR360N9LF](#) [10014744-011TLF](#) [11327-001](#) [11327-002](#) [617230001](#) [NX1-32T-KT3K\(05\)](#) [95622-003LF](#) [N7E50-U516RB-50-SIN0005](#) [84648-056HLF](#) [68-580163-21S](#) [93-570123-08P](#) [CCM03-3109 B LFT](#) [2309923-1](#) [61126-050CAHLF](#) [IC1GA-68PD-1.27DS-EJ\(72\)](#) [GTFP08432B1HR](#) [SCE2MSDZN76A121SN](#) [10014744-011ALF](#) [10014744-011LF](#) [10057542-1211FLF](#) [10067972-000LF](#) [10067972-050LF](#) [10122302-20110LF](#) [G85D1162022HHR](#) [MUP-C7809-1](#) [NANO SIM 7P H1.37](#) [MICRO SIM 7P H1.35](#) [TF-CARD H1.8 SY](#) [MICRO SIM 6P H1.35](#) [TF-CARD H1.8](#) [TF-115Y-BCP9](#) [TF-115YY-ACP9](#) [SMN-309-ARP6](#) [TF-115Y-ACP9](#) [TF-108-ARP10](#) [SMN-303S-ACP7](#) [SNO-14100](#) [SD-112S](#) [MUP-C7804-1](#)