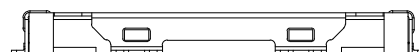
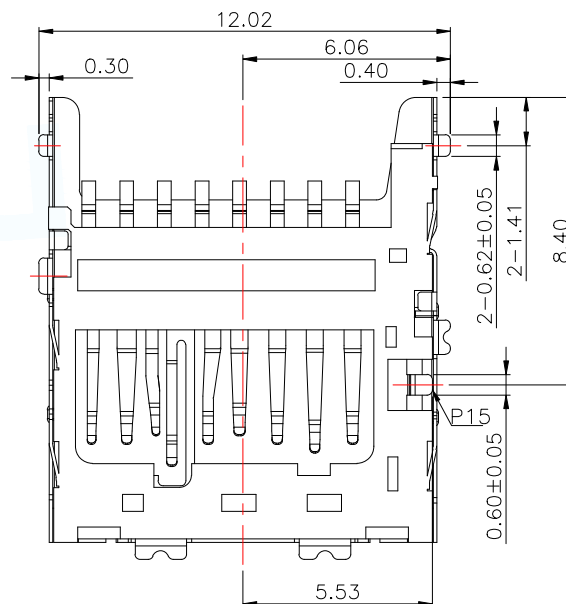
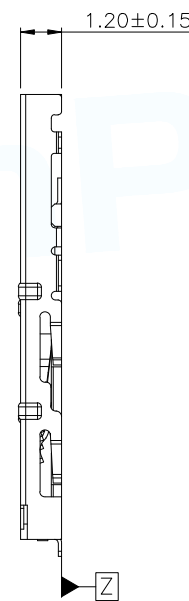
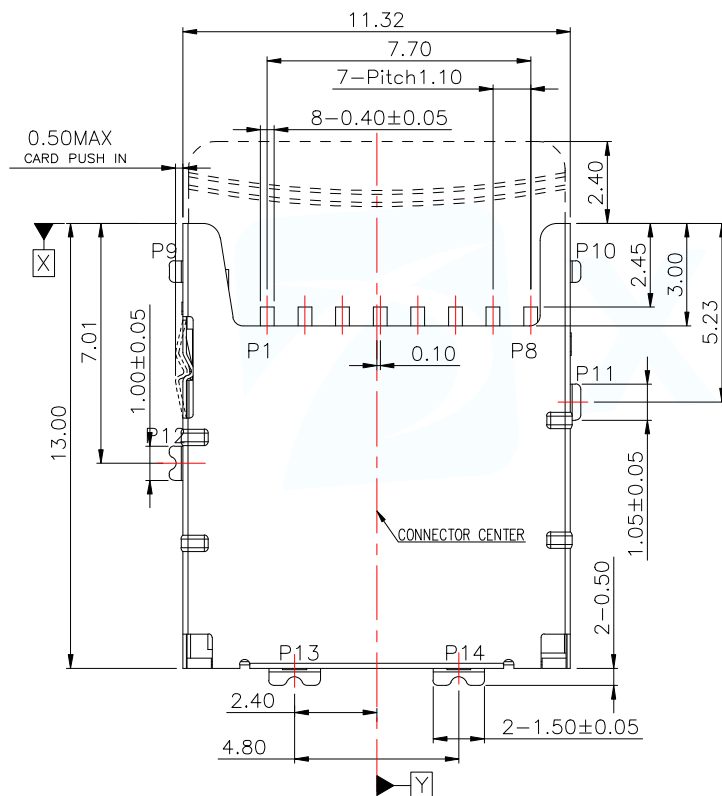
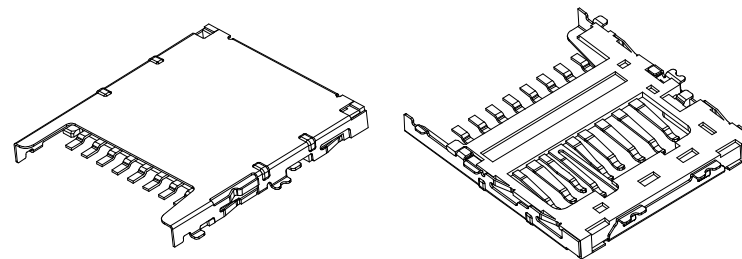
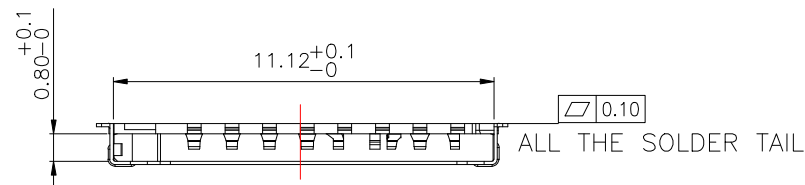
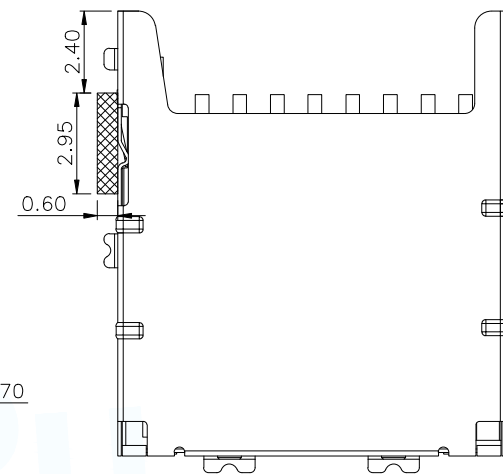
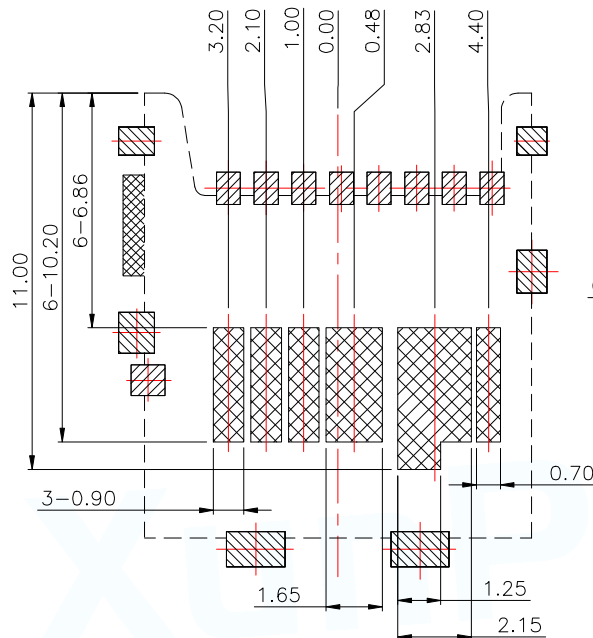
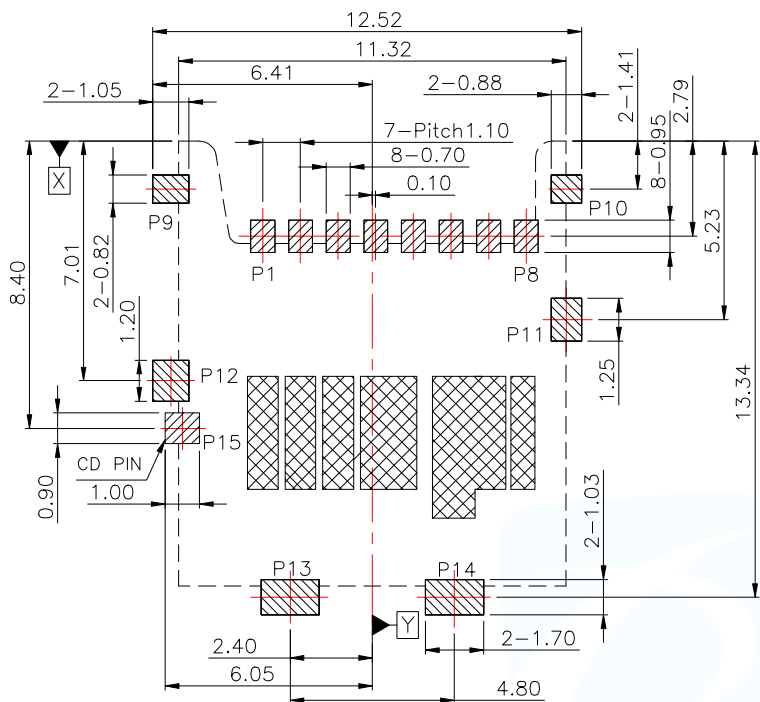


MAPX	MODIFICATION	DATE	DRAW	APPROVE



MANUFACTURE DWG		 东莞市讯普电子科技有限公司 DongGuan XunPu Electronics Co.,Ltd	TITLE: Micro-SD 1.15H connector		
UNLESS OTHERWISE SPECIFIED TOLERANCES			PAR	TF-129-ARP8	
DECIMALS:	ANGLES:	DWN			
.X:±0.38	X':±2'	CHKD			
.XX:±0.10	X.X':±1'	APVD			
.XXX:±0.05		SCALE1:1	UNIT:MM		
CUSTOMER COPY		SIZE:A4	SHEET:1F1	REV:A	





No component area

- PAD AREA
- KEEP OUT AREA
- NO COPPER AREA (NO Trace&Via&GND)
- GND PATTERN ONLY

Pin Define	
P1	DAT2
P2	CD/DAT3
P3	CMD
P4	VDD
P5	CLK
P6	VSS
P7	DAT0
P8	DAT1
P9	GND
P10	GND
P11	GND
P12	GND
P13	GND
P14	GND
P15	CD

NOTE:

1. Material:
 - 1-1 Housing: High Temperature Thermoplastic, (LCP MG350) Color Black UL 94V-0
 - 1-2 Contact: Phosphor Bronze (C5210R-SH T=0.12mm)
 - 1-3 Cover: SUS304-H T=0.10mm
2. Plating:
 - 2-1 Contact terminal:
 - Contact area: Gold 1u" Min.
 - Solder area: Plated 80u" min Sn .
 - Underplating: Ni overall 50U" Min.
 - 2-2 Cover:
 - Underplating: Ni overall 50U" Min.
 - Solder area: Gold 0.8u" Min .
3. Specification:
 - 3-1. Contact Current Rating: 0.5 Amperes.
 - 3-2. Dielectric Withstanding Voltage: AC500V r.m.s.
 - 3-3. Insulation Resistance: 1000 Megohms
 - 3-4. Minimum At DC 500V.
 - 3-5. Contact Resistance: 100 mΩ Maximum.
 - 3-6. Mating Cycles: 10,000 Cycles.
 - 3-7. Operating Temperature: -25°C ~ +85°C.

MANUFACTURE DWG			东莞市讯普电子科技有限公司 DongGuan XunPu Electronics Co., Ltd	
UNLESS OTHERWISE SPECIFIED TOLERANCES			TITLE: Micro-SD 1.15H connector	
DECIMALS:	ANGLES:	PAR	TF-129-ARP8	
.X: ±0.38	X.°: ±2'	DWN		
.XX: ±0.10	X.X°: ±1'	CHKD		
.XXX: ±0.05		APVD		
CUSTOMER COPY		SCALE 1:1	UNIT: MM	
		SIZE: A4	SHEET: 1F1	REV: A

X-ON Electronics

Largest Supplier of Electrical and Electronic Components

Click to view similar products for [Memory Card Connectors](#) category:

Click to view products by [XUNPU](#) manufacturer:

Other Similar products are found below :

[6407-249V-25273P](#) [6407-249V-25343P](#) [6426-201-21343](#) [69.920.0553.0](#) [MCR60A-98D-2.54DSA\(70\)](#) [809180410000000](#) [DM3AT-SF-PEJM5\(41\)](#) [IC11S-BUR-PNEJL\(71\)](#) [C70210M0083692](#) [2041353-2](#) [308-DS1P0811-192](#) [HM2P09PDR360N9LF](#) [10014744-011TLF](#) [11327-001](#) [11327-002](#) [NX1-32T-KT3K\(05\)](#) [95622-003LF](#) [84648-056HLF](#) [CCM03-3109 B LFT](#) [MS3116J10-6PW](#) [2309923-1](#) [61126-050CAHLF](#) [GTFP08432B1HR](#) [G85D1160022HHR](#) [SCE2MSDZN76A121SN](#) [10014744-011ALF](#) [10014744-011LF](#) [10057542-1211FLF](#) [10067972-000LF](#) [10067972-050LF](#) [10122302-20110LF](#) [G85D1162022HHR](#) [TF-05A](#) [M6014-12](#) [XKNANO-1412](#) [SMN-304-ARP6](#) [MIS11-S1F1-2000-A](#) [SMN-308-ARSP7](#) [MCS-302S-KT1B](#) [SMN-308-ACSP7](#) [K-DYX-008](#) [K-DYX-004](#) [HYCW126-TF18-150B](#) [C7024-03](#) [SMO-1030](#) [MCS-110-KT](#) [SIM-217](#) [SNO-1355-KT](#) [SMO-1025-P10](#) [SIM-211S-P6](#)