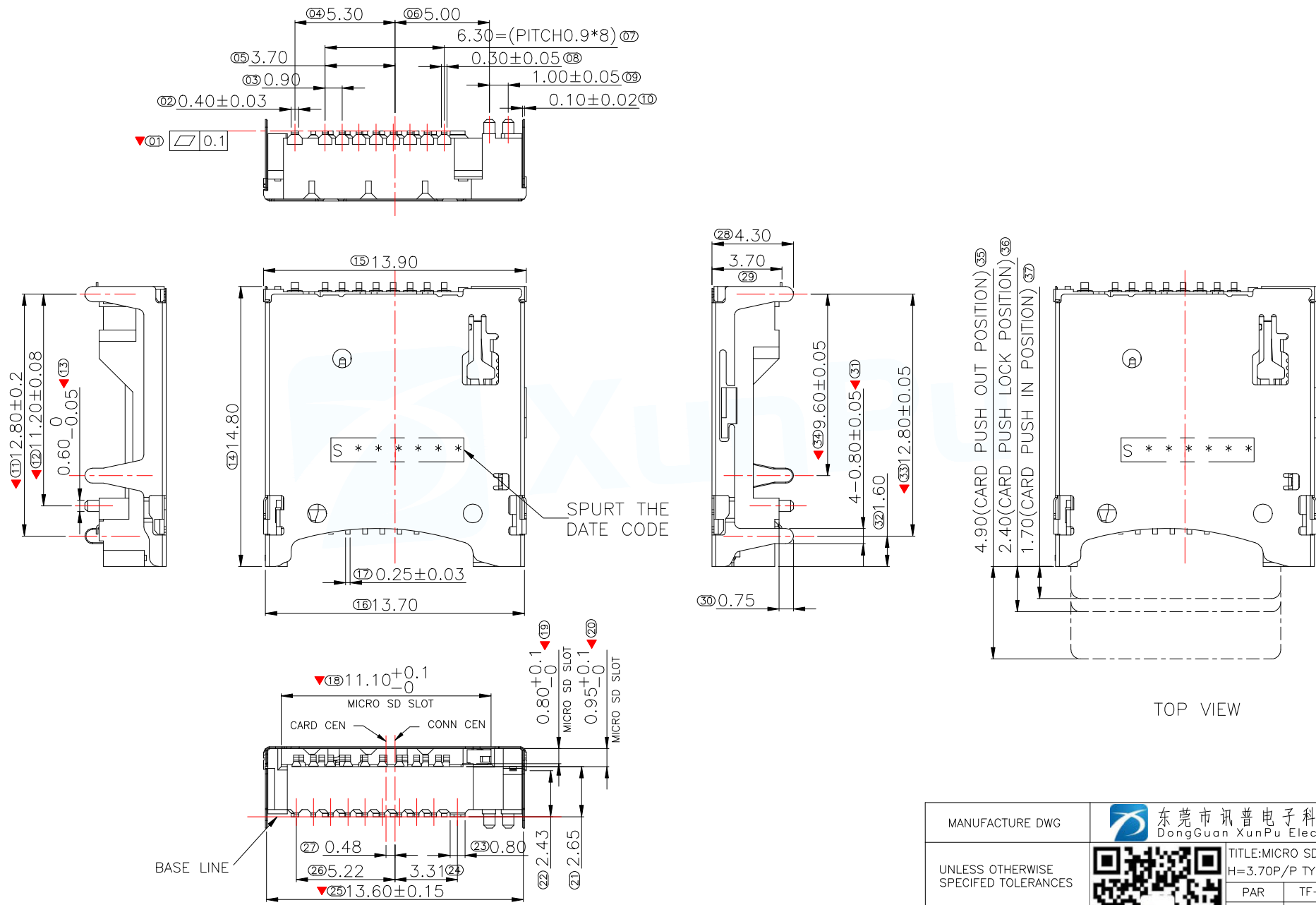
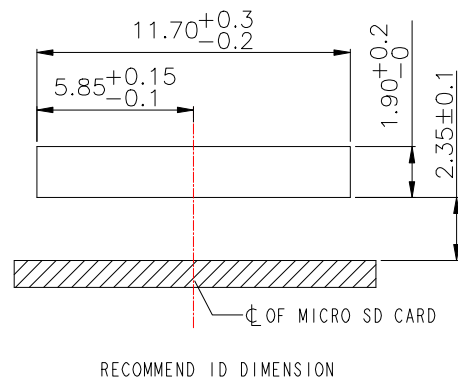
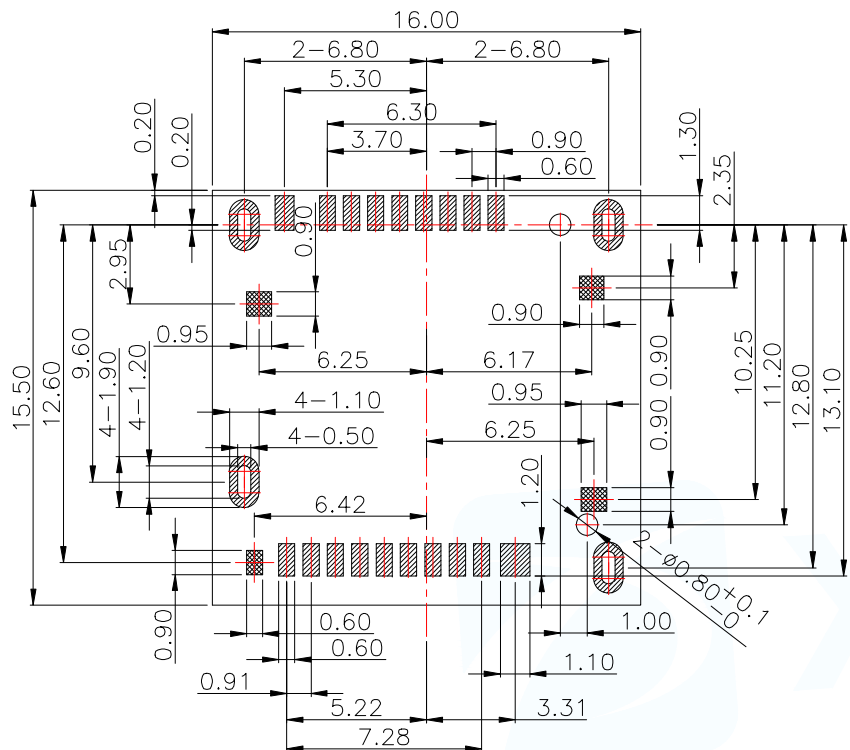


MAPX	MODIFICATION	DATE	DRAW	APPROVE



MANUFACTURE DWG		东莞市讯普电子科技有限公司 DongGuan XunPu Electronics Co.,Ltd	TITLE:MICRO SD4.0 TOP MOUNT H=3.70P/P TYPE客户图	
UNLESS OTHERWISE SPECIFIED TOLERANCES			PAR	TF-403-ACP18
DECIMALS:	ANGLES:	DWN		
.X:±0.30	X.':±2'	CHKD		
.XX:±0.20	X.X':±1'	APVD		
.XXX:±0.10		SCALE1:1	UNIT:MM	
		SIZE:A4	SHEET:1F1	
		Website address	REV:A	



Pin No.	Pin Assignment
P1	MICRO SD DAT2
P2	MICRO SD CD/DAT3
P3	MICRO SD CMD
P4	MICRO SD VDD1
P5	MICRO SD CLK
P6	MICRO SD VSS
P7	MICRO SD DAT0/RCLK
P8	MICRO SD DAT1/RCLK
P9	MICRO SD CD
P10	GND
P11	GND
P12	GND
P13	GND
P14	GND
P15	MICRO SD VDD2
P16	MICRO SD SW10
P17	MICRO SD VSS
P18	MICRO SD D0+
P19	MICRO SD D0-
P20	MICRO SD VSS
P21	MICRO SD D1-
P22	MICRO SD D1+
P23	MICRO SD VSS

RECOMMENDED P.C.B LAYOUT  
TOP VIEW(TOLERANCE+/-0.05)

- PAD AREA
- NO COMPONENT AREA
- RED GLUING AREA

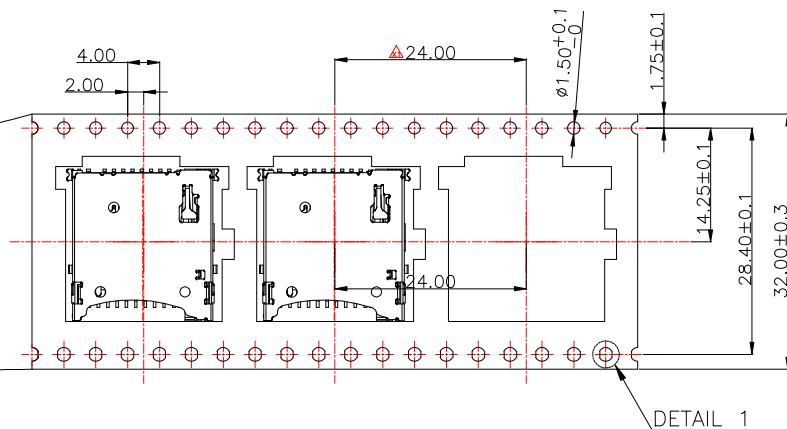
- NOTES:
- (1) MATERIAL:
    - 1-1.PLASTIC: LCP,THERMOPLASTIC UL 94V-0 COLOR: BLACK
    - 1-2.CONTACT: COPPER ALLOY.
    - 1-3.SELL: STAINLESS STEEL.
  - (2) PATING:
    - 2-1.CONTACT:CONTACT AREA AU 3U".OVER NI 50U";SOLDER TAIL AREA: MATTED TIN 80U"MIN, OVER NI 50".
    - 2-2.SHELL:SOLDERABILITY OVER PLATING NI 50U" OVER ALL.
  - (3) CONTACT AND TAIL COPLANARITY TO BE 0.10MM MAX.

OPENING/CLOSE OF SWITCH

CARD DETECT SWITCH	
CARD UNINSERTION	OPEN
CARD HALF INERTION	OPEN
CARD INSERTION	CLOSE
N/O	<div style="display: flex; justify-content: space-around; align-items: center;"> <div style="text-align: center;"> <p>OPEN</p> <p>P6 P9</p> </div> <div style="text-align: center;"> <p>CLOSE</p> <p>P6 P9</p> </div> </div>

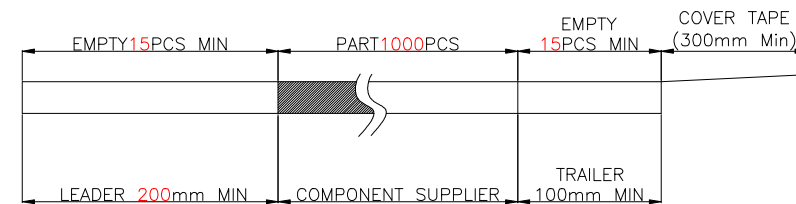
MANUFACTURE DWG		<p>东莞市讯普电子科技有限公司 DongGuan XunPu Electronics Co.,Ltd</p>	TITLE:MICRO SD4.0 TOP MOUNT H=3.70P/P TYPE客户图	
UNLESS OTHERWISE SPECIFIED TOLERANCES			PAR	TF-403-ACP18
DECIMALS:	ANGLES:	DWN		
.X:±0.30	X':±2'	CHKD		
.XX:±0.20	X.X':±1'	APVD		
.XXX:±0.10		SCALE1:1	UNIT:MM	
		SIZE:A4	SHEET:1F1	
		Website address	REV:A	

USER DIRECTION OF UNREELING →



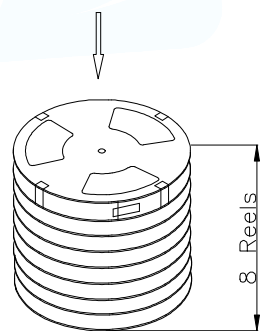
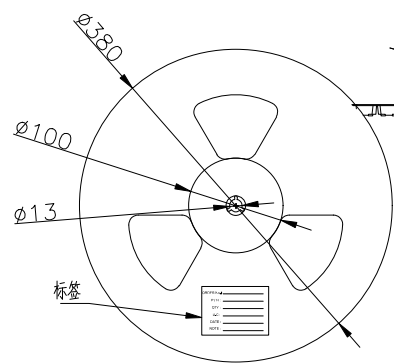
NOTES

1. NUMBER OF CONNECTORS: 1000PCS/REEL
2. LEAD TAPE LENGTH

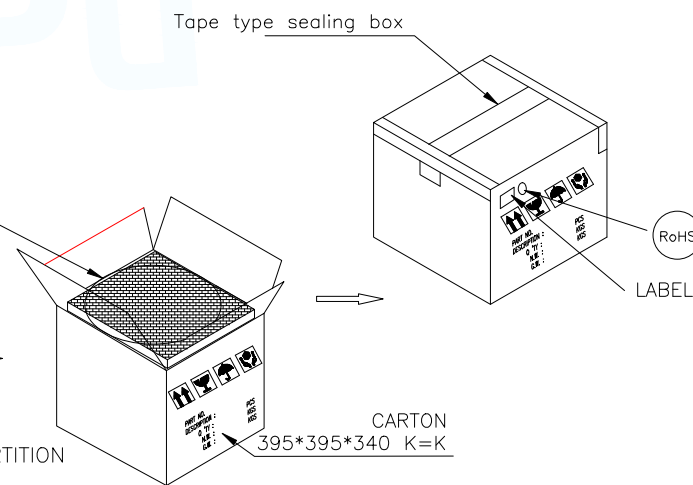
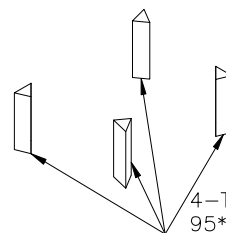


3. QUANTITY: 8000PCS/CARTON

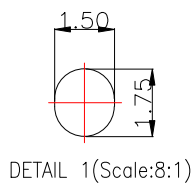
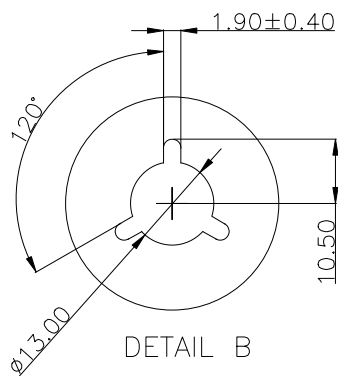
COVER TAPE PEELING ANGLE: 165°~180°  
PEELING FORCE: 20~130g  
CARRIER TAPE



Each top of the bottom of the carton is protected by a piece of pearl cotton



8 rolls per carton



MANUFACTURE DWG		东莞市讯普电子科技有限公司 DongGuan XunPu Electronics Co.,Ltd	TITLE: MICRO SD4.0 TOP MOUNT H=3.70P/P TYPE 客户图	
UNLESS OTHERWISE SPECIFIED TOLERANCES			PAR	TF-403-ACP18
DECIMALS:	ANGLES:	DWN		
.X: ±0.30	X.' : ±2'	CHKD		
.XX: ±0.20	X.X' : ±1'	APVD		
.XXX: ±0.10		SCALE: 1:1	UNIT: MM	
		SIZE: A4	SHEET: 1F1	
		Website address	REV: A	

## X-ON Electronics

Largest Supplier of Electrical and Electronic Components

*Click to view similar products for [Memory Card Connectors](#) category:*

*Click to view products by [XUNPU](#) manufacturer:*

Other Similar products are found below :

[6407-249V-25273P](#) [6407-249V-25343P](#) [6426-201-21343](#) [69.920.0553.0](#) [MCR60A-98D-2.54DSA\(70\)](#) [809180410000000](#) [DM3AT-SF-PEJM5\(41\)](#) [IC11S-BUR-PNEJL\(71\)](#) [C70210M0083692](#) [2041353-2](#) [308-DS1P0811-192](#) [HM2P09PDR360N9LF](#) [10014744-011TLF](#) [11327-001](#) [11327-002](#) [NX1-32T-KT3K\(05\)](#) [95622-003LF](#) [84648-056HLF](#) [CCM03-3109 B LFT](#) [MS3116J10-6PW](#) [2309923-1](#) [61126-050CAHLF](#) [GTFP08432B1HR](#) [G85D1160022HHR](#) [SCE2MSDZN76A121SN](#) [10014744-011ALF](#) [10014744-011LF](#) [10057542-1211FLF](#) [10067972-000LF](#) [10067972-050LF](#) [10122302-20110LF](#) [G85D1162022HHR](#) [TF-05A](#) [M6014-12](#) [XKNANO-1412](#) [SMN-304-ARP6](#) [MIS11-S1F1-2000-A](#) [SMN-308-ARSP7](#) [MCS-302S-KT1B](#) [SMN-308-ACSP7](#) [K-DYX-008](#) [K-DYX-004](#) [HYCW126-TF18-150B](#) [C7024-03](#) [SMO-1030](#) [MCS-110-KT](#) [SIM-217](#) [SNO-1355-KT](#) [SMO-1025-P10](#) [SIM-211S-P6](#)