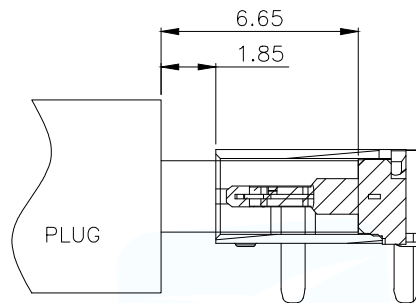


NOTE:

1. MATERIAL SPECIFICATION:
 1. HOUSING: HIGH TEMPERATURE RESISTANT PLASTIC, UL94 V-0.
 2. TERMINAL: COPPER ALLOY
 3. MID PLATE: STAINLESS STEEL
 4. FRONT SHELL: STAINLESS STEEL
2. PLATING SPECIFICATION:
 - 2-1. TERMINAL:
 - Ni 50u" MIN. UNDER PLATED OVER ALL.
 - Au PLATED ON THE FUNCTIONAL AREA OF CONTACT.
 - (GOLD PLATING THICKNESS FOLLOW THE P/N)
 - PLATING SPECIFICATIONS OF THE SOLDER AREA FOLLOW THE P/N
 - 2-2. FRONT SHELL:
 - PLATING SPECIFICATIONS FOLLOW THE P/N
 - 2-3. MID PLATE:
 - CLEAR ONLY
3. MECHANICAL PERFORMANCE,
 - 3-1. INSERTION FORCE: 0.5~2.0kgf.
 - 3-2. REMOVAL FORCE: 0.8kgf~2.0kgf.
 - 3-3. DURABILITY: 10000 CYCLES.
4. ELECTRICAL PERFORMANCE,
 - 4-1. VOLTAGE RATING: 5 V DC/AC (RMS. max)
 - CURRENT RATING: 3A;
 - 1.5AMPS MIN FOR VBUS PIN,
 - 0.25 AMPS. FOR ALL OTHER CONTACT.
 - 4-2. LLCR:
 - VBUS & GND PINS AND OTHER PINS: 40mA/PIN MAX.
 - LLCR MAX. CHANGE OF ALL PINS: 10mA.
 - 4-3. INSULATION RESISTANCE: 100MΩ MIN
 - 4-4. DIELECTRIC WITHSTAND VOLTAGE, AC 100V FOR 1 MINUTE.
5. ENVIRONMENTAL PERFORMANCE:
 - OPERATING TEMPERATURE: -25°C~+85°C.
6. IR REFLOW:
 - THE PEAK TEMPERATURE ON THE BOARD SHALL BE MAINTAINED FOR 10 SECONDS AT 260°C.

| Part No | CURRENT RATING |
|-----------------|----------------|
| TYPEC-250C-BRP6 | 3A |
| TYPEC-250C-ARP6 | 5A |

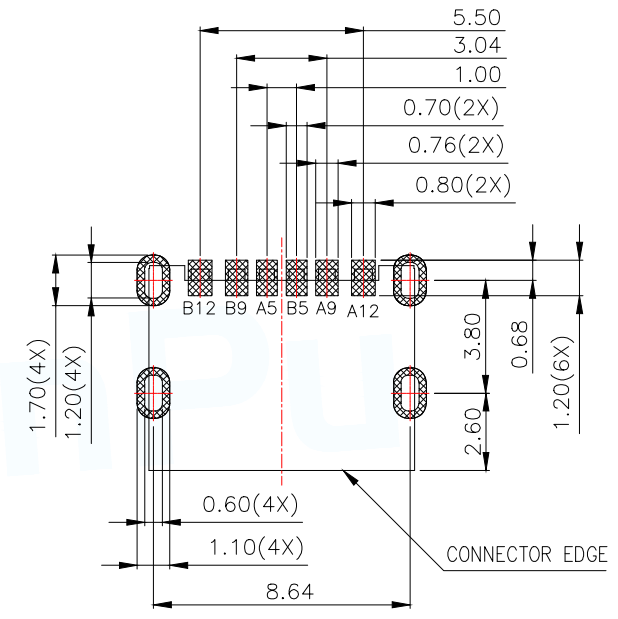
| | | | |
|---------------------------------------|-----------|--|---------------------------|
| MANUFACTURE DWG | | 东莞市讯普电子科技有限公司 DongGuan XunPu Electronics Co., Ltd | |
| UNLESS OTHERWISE SPECIFIED TOLERANCES | | | TITLE: TYPE-C 6Pin SMT |
| | | | PAR TYPEC-250C-BRP6 |
| DECIMALS: | ANGLES: | | DWN |
| .X: ±0.30 | .X': ±8° | | CHKD |
| .XX: ±0.20 | .XX': ±5° | APVD | |
| .XXX: ±0.10 | | SCALE 1:1 | UNIT: MM |
| | | CUSTOMER COPY | SIZE: A4 |
| | | | SHEET: 1F1 |
| | | | REV: A |



AFTER MATING

PIN ASSIGNMENTS

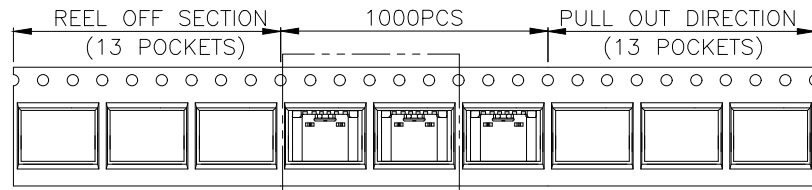
| | | | |
|-----|-------------|-----|-------------|
| A5 | CC1 | B12 | GND |
| A9 | VBUS | B9 | VBUS |
| A12 | GND | B5 | CC2 |
| PIN | SIGNAL NAME | PIN | SIGNAL NAME |



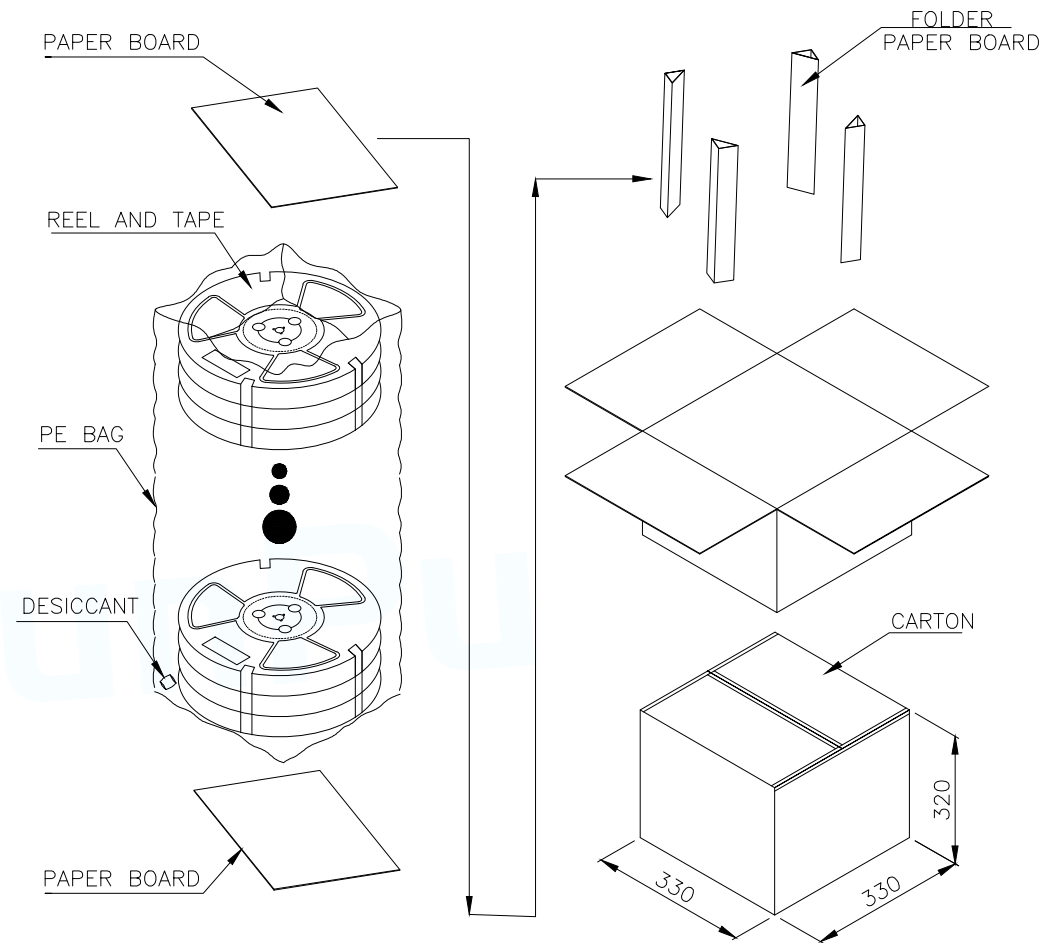
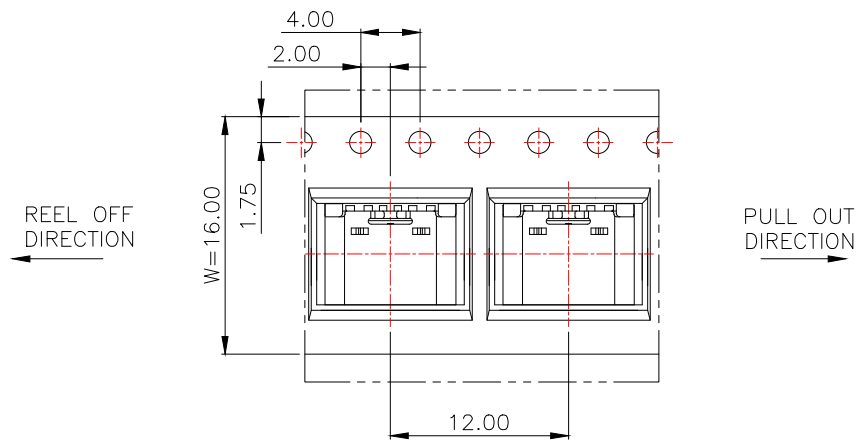
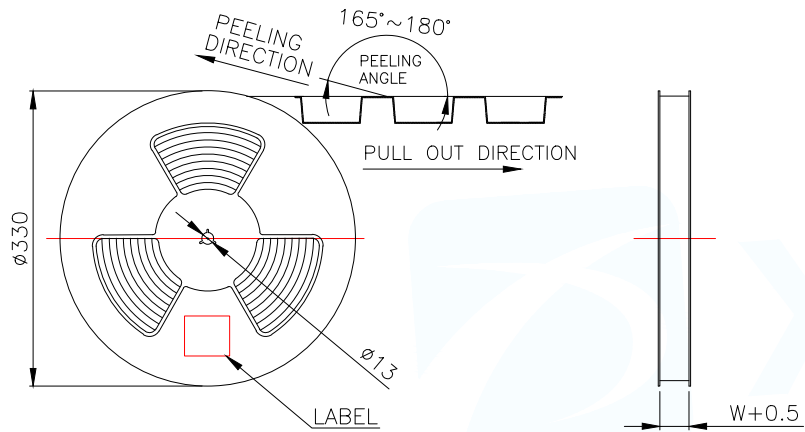
RECOMMENDED PCB LAYOUT(TOP VIEW)

DEFAULT TOLERANCE:±0.05

| | | | |
|---------------------------------------|----------|---|---------------------------|
| MANUFACTURE DWG | |  东莞市讯普电子科技有限公司 DongGuan XunPu Electronics Co.,Ltd | |
| UNLESS OTHERWISE SPECIFIED TOLERANCES | |  | TITLE: TYPE-C 6Pin SMT |
| | | | PAR TYPEC-250C-BRP6 |
| DECIMALS: | ANGLES: | | DWN |
| .X:±0.30 | .X':±8° | | CHKD |
| .XX:±0.20 | .XX':±5° | APVD | SCALE 1:1 UNIT:MM |
| .XXX:±0.10 | | CUSTOMER COPY | SIZE:A4 SHEET:1F1 REV:A |



SEE DETAIL X



| | | |
|-----------------|------|--------|
| | REEL | CARTON |
| CONNECTOR (PCS) | 1000 | 14000 |

| | | | |
|---------------------------------------|----------|---|---------------------------|
| MANUFACTURE DWG | | 东莞市讯普电子科技有限公司 DongGuan XunPu Electronics Co.,Ltd | |
| UNLESS OTHERWISE SPECIFIED TOLERANCES | | | TITLE: TYPE-C 6Pin SMT |
| | | | PAR TYPEC-250C-BRP6 |
| DECIMALS: | ANGLES: | | DWN |
| .X:±0.30 | .X':±8° | | CHKD |
| .XX:±0.20 | .XX':±5° | APVD | |
| .XXX:±0.10 | | SCALE:1:1 | UNIT:MM |
| | | CUSTOMER COPY | SIZE:A4 |
| | | | SHEET:1F1 |
| | | | REV:A |

X-ON Electronics

Largest Supplier of Electrical and Electronic Components

Click to view similar products for [USB Connectors](#) category:

Click to view products by [XUNPU](#) manufacturer:

Other Similar products are found below :

[950](#) [A-USB A-LP-SMT-C](#) [A-USB B-TOP-C](#) [MUSBD11135](#) [17-200721](#) [217450-1](#) [KMBVX-TH-5S-B30](#) [KUSBX-AS2N-W](#) [KUSBX-SMT2AP1S-W30](#) [935](#) [957](#) [30-498-6](#) [SK-60A-2](#) [1734082-1](#) [30-470](#) [30-489](#) [30-541](#) [MAB 5 S](#) [A-USB A-2P-C](#) [MIKROE-1451](#)
[USBFTVSCCG](#) [1-1734084-2](#) [MUSBA81130](#) [NK-27-32SL](#) [NK-L8-22C-5/8](#) [10135326-001LF](#) [4198](#) [690-024-633-031](#) [UB-20PMFP-LC7001](#)
[17-200011](#) [UB-20AFMM-LL7A01](#) [CAP-WCCMLPB1](#) [CAP-WCCMLPC1](#) [2274475-3](#) [914-614A2025S10200](#) [USB3FTV7SAGF059](#)
[USB3FTV2SAZNF459](#) [USB3FTV7SAZNF459](#) [U221-041N-1WVS62-F5D](#) [HYCW153-USBD05-500B](#) [HYCW219-USBD05-075B](#)
[HYCW148-USBD05-117B](#) [HYCW149-USBD05-740B](#) [HYCW204-USBD05-108B](#) [HYCW214-USBA04-113B](#) [HYCW213-USBA04-113B](#)
[KMMX-BSMT35S-1-B30TR](#) [2345986-1](#) [10082141-N340LF](#) [10117836-011LF](#)