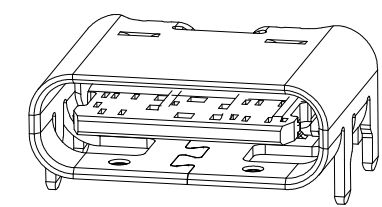


RECOMMENDED P.C.B. LAYOUT  
TOLERANCE UNSPECIFIED ±0.05mm

SPECIFICATION:

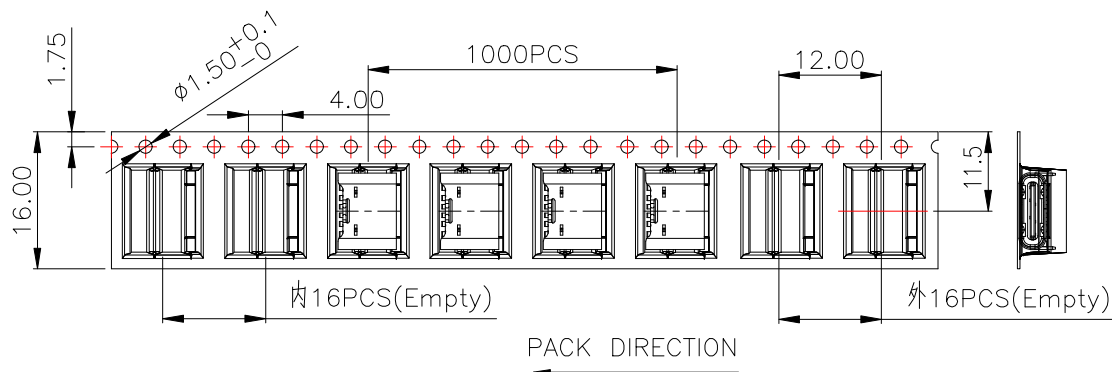
- Material & Finish: See the list;
- Mechanical:
  - Mating force: 5-20Nf;
  - Unmating force: 6-20Nf;
  - Durability: 3000 Cycles;
- Electrical:
  - Current Rating: 3A Max.;
  - Voltage Rating: 20V Max.;
  - Dielectric Withstanding voltage: 100Vac;
  - Contact resistance: 40m Ohms Max.;
  - Insulation Resistance: 100M Ohms Min.;
- Environmental:
  - Operating temperature: -40°C ~ +85°C;
  - Salt Spray Test: 24H Min. (No oxidation or rust);
  - Wetting Temperature: 265±5°C, 5±0.5s

A5	CC1	B5	CC2
A9	VBUS	B9	VBUS
A12	GND	B12	GND
PIN	SIGNAL	PIN	SIGNAL

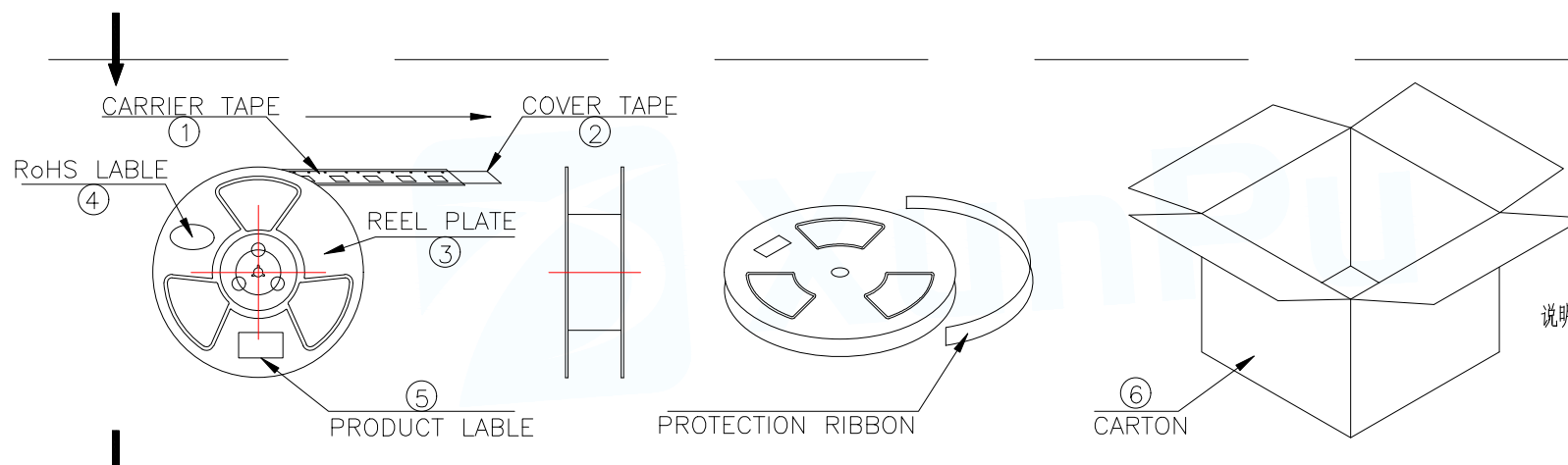


NO.	PART NAME	Q'TY	MATERIAL	FINISH
3	Shell	1	SUS201 T=0.30mm	Ni
2	Housing	1	LCP	UL 94 V-0
1	Contact	1	C5191 T=0.20mm	Au

MANUFACTURE DWG		东莞市讯普电子科技有限公司 DongGuan XunPu Electronics Co., Ltd	
UNLESS OTHERWISE SPECIFIED TOLERANCES			TITLE: TYPE-C 6Pin 板间距6.80mm SMT
DECIMALS: .X:±0.30 .XX:±0.25 .XXX:±0.15			PAR TYPEC-250Y-BRP6L68
ANGLES: .X':±3' .XX':±2'			DWN
			CHKD
		APVD	
		SCALE 1:1	UNIT: MM
		SIZE: A4	
		SHEET: 1F1	
		CUSTOMER COPY	REV: A

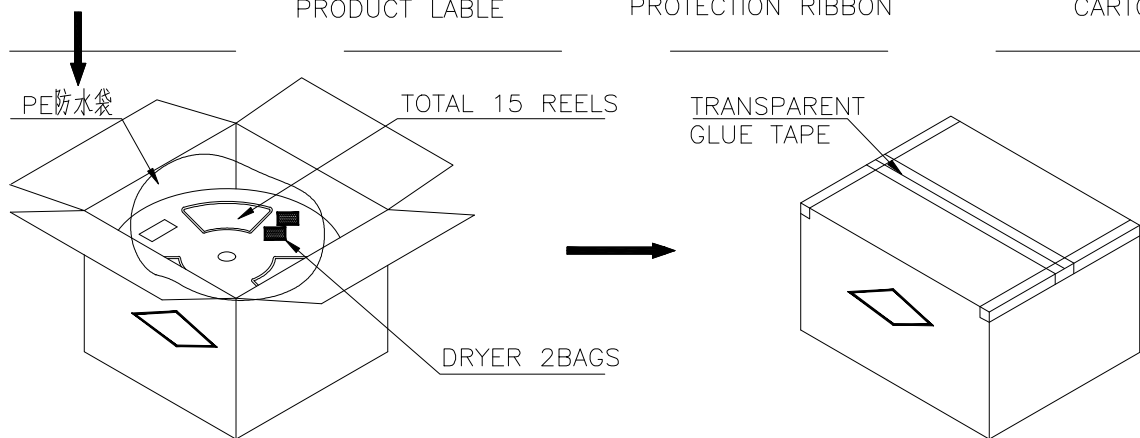


NO.	NAME	SPEC	Q'TY
①	TYPE C RECEPTACLE		15000PCS/CARTON
①	CARRIER TAPE	W=16mm,T=0.40mm	1000PCS/PLATE
②	COVER TAPE	W=13.2mm	15PLATES/CARTON
③	REEL PLATE	$\phi 330*100*16.4$ mm	15PCS/CARTON
④	RoHS LABEL		15PCS/CARTON
⑤	PRODUCT LABER		15PCS/CARTON
⑥	CARTON	340*340*325mm	1PCS/PACKAGE



说明:

1. 每卷前后各空 16PCS,尾部用美纹胶纸封住;
2. 将产品放满盘后,再卷一圈保护带,用美纹胶纸将其封住,并贴上 1Pcs 物料标签;
3. 每 15 卷盘一叠共 15000Pcs 装入 1 个外箱内;
4. 在搬运过程中要轻拿轻放;
5. 在运输中不可堆放过多(1.8M 最高),不可重压;
6. 跌落测试条件:  
成品箱从 1.2 米高度自由落体(一角三棱六面):  
a. 产品不可跑出下带凹槽;  
b. 产品不可有摔伤,变形;  
c. 内包装材料不可严重破损.



MANUFACTURE DWG			 东莞市讯普电子科技有限公司 DongGuan XunPu Electronics Co.,Ltd	
UNLESS OTHERWISE SPECIFIED TOLERANCES			TITLE: TYPE-C 6Pin 间距6.80mm SMT	PAR TYPEC-250Y-BRP6L68
DECIMALS:	ANGLES:	DWN		
.X:±0.30	.X':±3°	CHKD		
.XX:±0.25	.XX':±2°	APVD		
.XXX:±0.15		SCALE 1:1	UNIT:MM	
		CUSTOMER COPY	SIZE:A4	
			SHEET:1F1	
			REV:A	

## X-ON Electronics

Largest Supplier of Electrical and Electronic Components

*Click to view similar products for [USB Connectors](#) category:*

*Click to view products by [XUNPU](#) manufacturer:*

Other Similar products are found below :

[950](#) [A-USB A-LP-SMT-C](#) [A-USB B-TOP-C](#) [MUSBA511N5](#) [MUSBC111M5](#) [MUSBD11135](#) [17-200721](#) [217450-1](#) [KMBVX-TH-5S-B30](#)  
[896-30-004-00-000000](#) [KUSBX-AS2N-W](#) [KUSBX-SMT2AP1S-W30](#) [935](#) [957](#) [30-498-6](#) [SK-60A-2](#) [1734082-1](#) [CIR08F-20](#) [30-1574](#) [30-470](#)  
[30-489](#) [30-541](#) [MAB 5 S](#) [A-USB A-2P-C](#) [MIKROE-1451](#) [USBFTV2PEM2G](#) [USBFTVSCCG](#) [4689-1](#) [1-1734084-2](#) [MUSBA81130](#)  
[MUSBC11135](#) [CIR08F-20-27P-F80-VO](#) [USBF21ZNSCC](#) [USBBFTV6ZC](#) [MUSBB151341](#) [10135326-001LF](#) [M9177/3-1](#) [USB-A-S-F-B-VT](#)  
[4198](#) [1310-1018-05](#) [690-024-633-031](#) [UB-20PMFP-LC7001](#) [USBFTVC6MRG](#) [UA-20BMFA-SL8001](#) [17-200011](#) [USBFTVC7ZC](#) [UB-](#)  
[20AFMM-LL7A01](#) [USBFTVC2MN](#) [CAP-WCCMLPB1](#) [CAP-WCCMLPC1](#)