

- NOTES:
- MATERIAL:  
MOLDING: LCP UL94 V-0  
CONTACT: COPPER ALLOY.  
GOLD PLATED Min ON CONTACT AREA, 100u"  
Min TIN (LEAD FREE) ON SOLDER AREA,  
SHELL: SUS304-H,T=0.30±0.03mm  
50u" NICKEL PLATING OVER ALL.
  - MECHANICAL:  
INSERTION: 5~20N.  
EXTRACTION: 8~20N AFTER TEST.  
DURABILITY: 10000 CYCLES
  - ELECTRICAL:  
CURRENT: 3A FOR VBUS;  
1.25A FOR GND PIN.  
0.25A FOR OTHER.  
VOLTAGE: 20 V MAX  
WITHSTANDING VOLTAGE: 100V AC R.M.S.  
CONTACT RESISTANCE: 40mΩ MAX.  
INSULATION RESISTANCE: 100MΩ MIN.
  - ENVIRONMENTAL  
TEMPERATURE RANGE -25°C ~ +85°C

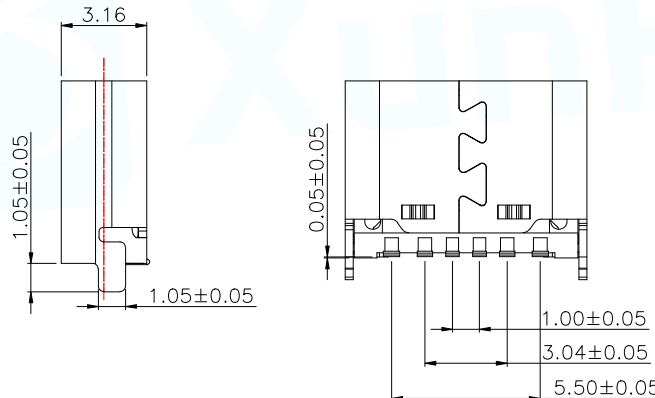
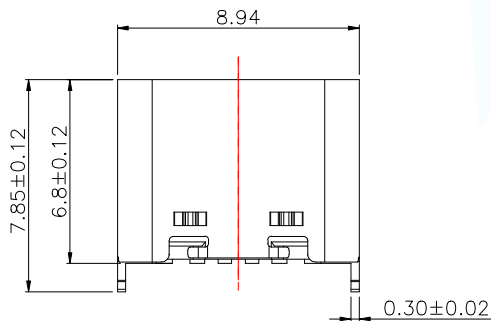
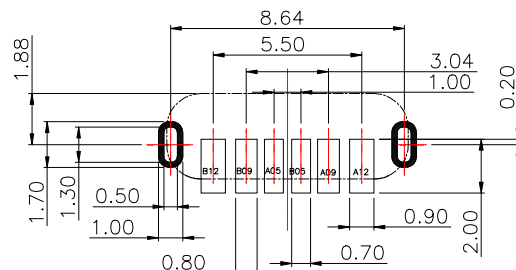
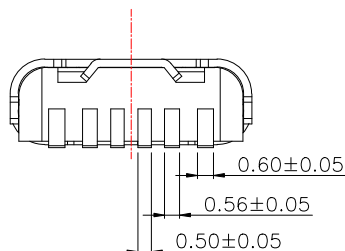


TABLE :

料号	DIM L	DIM M
TYPEC-251LS-ARP6L65	6.50	1.05
TYPEC-251LS-ARP6L68	6.80	1.05

A5	CC1	B12	GND
A9	VBUS	B9	VBUS
A12	GND	B5	CC2
PIN	SIGNAL NAME	PIN	SIGNAL NAME



RECOMMENDED P.C.B. LAYOUT  
TOLERANCE UNSPECIFIED ±0.05mm

4	SHELL	STAINLESS STEEL SUS201	NI/SN Plated	1PCS
3	MID PLATE	STAINLESS STEEL SUS304	---	1PCS
2	CONTACT	COPPER ALLOY C2680 EH	C2680 EH(SEE TABLE)/ N150U / SN 80U Plated	1SET
1	HOUSING	HIGH TEMPERATURE PLASTIC	BLACK	1PCS
NO.	DESCRIPTION	MATERIAL	REMARKS	QTY

MANUFACTURE DWG

东莞市讯普电子科技有限公司  
DongGuan XunPu Electronics Co.,Ltd

UNLESS OTHERWISE SPECIFIED TOLERANCES



TITLE:  
TYPE C母座6P直立式 SMT 带勾

DECIMALS: ANGLES:

.X:±0.30 .X':±3°

.XX:±0.20 .XX':±2°

.XXX:±0.10

PAR TYPEC-251LS-ARP6LXX

DWN

CHKD

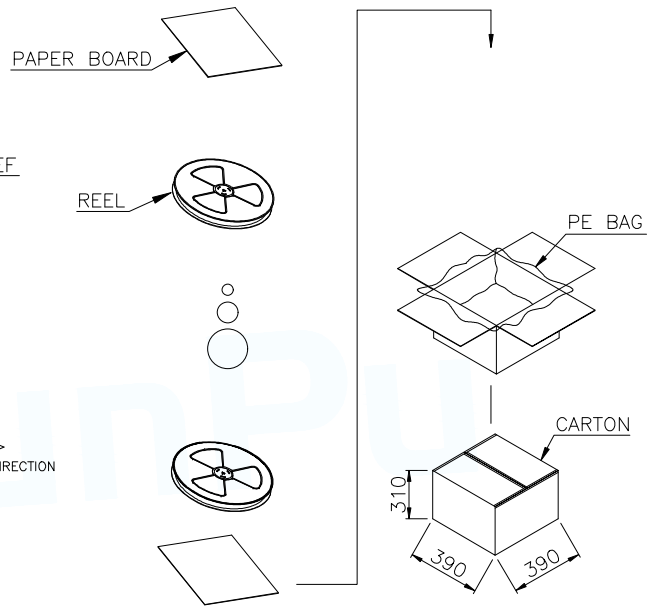
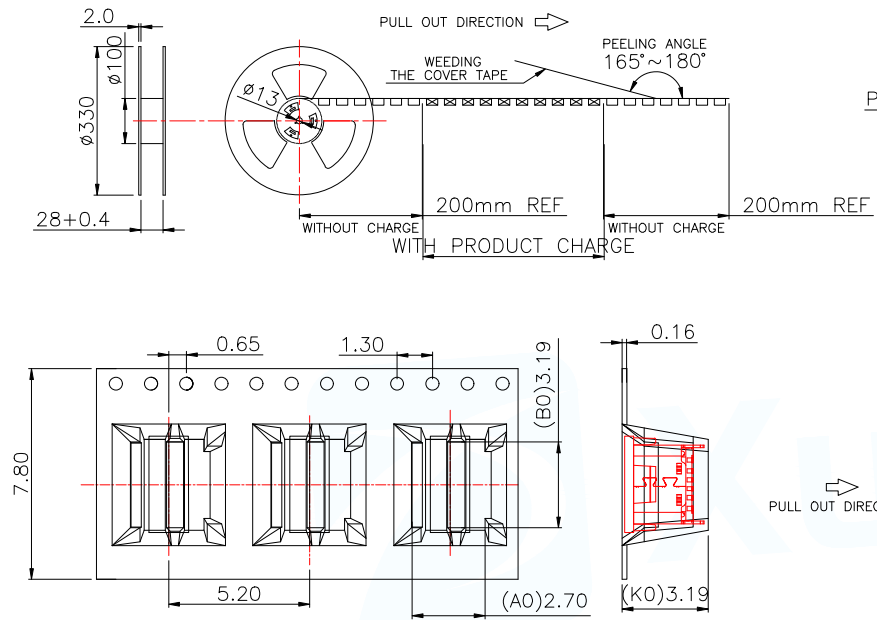
APVD

SCALE1:1 UNIT:MM

SIZE:A4 SHEET:1F1

REV:A

CUSTOMER COPY



- 注意:
- 1.材料:  
纸箱:纤维板,瓦楞,双层壁.  
胶带:聚苯乙烯,耐热温度:120℃,白.  
卷筒:聚苯乙烯,耐热温度:70℃,蓝色.  
包装:聚乙烯,耐热温度:100℃.
  - 2.剥离强度:0.1~1.3 N(10~130克)
  - 3.脱皮速度:300mm /min.
  - 4.每个袋子都应包括干燥剂\*1.
  - 5.外箱上贴号物料标签及RHOS标签
  - 6.同一产品只能装同一纸箱,不允其它产品;
  - 7.包装后,产品朝合面朝外,柱子朝内;

600	10	6000 PCS
PCS/卷	卷/箱	箱

MANUFACTURE DWG			东莞市讯普电子科技有限公司 DongGuan XunPu Electronics Co.,Ltd	
UNLESS OTHERWISE SPECIFIED TOLERANCES			TITLE: TYPE C母座6P直立式 SMT 带勾	
DECIMALS:	ANGLES:	PAR	TYPEC-251LS-ARP6LXX	
.X:±0.30	.X':±3°	DWN		
.XX:±0.20	.XX':±2°	CHKD		
.XXX:±0.10		APVD		
CUSTOMER COPY		SCALE1:1	UNIT:MM	
		SIZE:A4	SHEET:1F1	REV:A

## X-ON Electronics

Largest Supplier of Electrical and Electronic Components

*Click to view similar products for [USB Connectors](#) category:*

*Click to view products by [XUNPU](#) manufacturer:*

Other Similar products are found below :

[950](#) [A-USB A-LP-SMT-C](#) [A-USB B-TOP-C](#) [MUSBD11135](#) [17-200721](#) [217450-1](#) [KMBVX-TH-5S-B30](#) [KUSBX-AS2N-W](#) [KUSBX-SMT2AP1S-W30](#) [935](#) [957](#) [30-498-6](#) [SK-60A-2](#) [1734082-1](#) [30-470](#) [30-489](#) [30-541](#) [MAB 5 S](#) [A-USB A-2P-C](#) [MIKROE-1451](#)  
[USBFTVSCCG](#) [1-1734084-2](#) [MUSBA81130](#) [NK-27-32SL](#) [NK-L8-22C-5/8](#) [10135326-001LF](#) [4198](#) [690-024-633-031](#) [UB-20PMFP-LC7001](#)  
[17-200011](#) [UB-20AFMM-LL7A01](#) [CAP-WCCMLPB1](#) [CAP-WCCMLPC1](#) [2274475-3](#) [914-614A2025S10200](#) [USB3FTV7SAGF059](#)  
[USB3FTV2SAZNF459](#) [USB3FTV7SAZNF459](#) [U221-041N-1WVS62-F5D](#) [HYCW153-USBD05-500B](#) [HYCW219-USBD05-075B](#)  
[HYCW148-USBD05-117B](#) [HYCW149-USBD05-740B](#) [HYCW204-USBD05-108B](#) [HYCW214-USBA04-113B](#) [HYCW213-USBA04-113B](#)  
[KMMX-BSMT35S-1-B30TR](#) [2345986-1](#) [10082141-N340LF](#) [10117836-011LF](#)