

- NOTES:
- MATERIAL:
    - MOLDING: LCP UL94 V-0
    - CONTACT: COPPER ALLOY.
    - GOLD PLATED Min ON CONTACT AREA, 100u"
    - Min TIN (LEAD FREE) ON SOLDER AREA,
    - SHELL: SUS304-H,T=0.30±0.03mm
    - 50u" NICKEL PLATING OVER ALL.
  - MECHANICAL:
    - INSERTION: 5~20N.
    - EXTRACTION: 8~20N AFTER TEST.
    - DURABILITY: 10000 CYCLES
  - ELECTRICAL:
    - CURRENT: 3A FOR VBUS;
    - 1.25A FOR GND PIN.
    - 0.25A FOR OTHER.
    - VOLTAGE: 20 V MAX
    - WITHSTANDING VOLTAGE: 100V AC R.M.S.
    - CONTACT RESISTANCE: 40mΩ MAX.
    - INSULATION RESISTANCE: 100MΩ MIN.
  - ENVIRONMENTAL
    - TEMPERATURE RANGE -25°C ~ +85°C

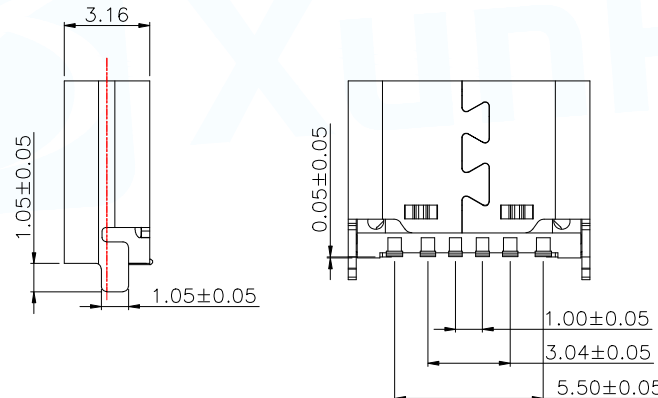
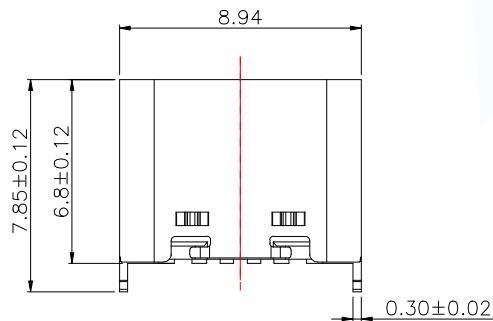
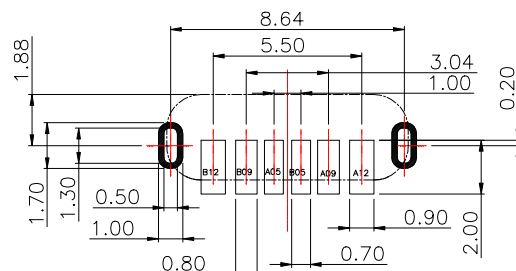
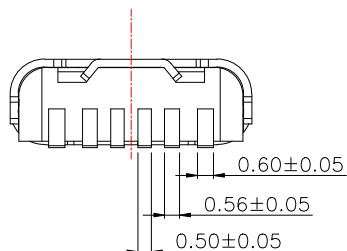


TABLE :

料号	DIM L	DIM M
TYPEC-251LS-ARP6L65	6.50	1.05
TYPEC-251LS-ARP6L68	6.80	1.05

A5	CC1	B12	GND
A9	VBUS	B9	VBUS
A12	GND	B5	CC2
PIN	SIGNAL NAME	PIN	SIGNAL NAME



RECOMMENDED P.C.B. LAYOUT  
TOLERANCE UNSPECIFIED ±0.05mm

4	SHELL	STAINLESS STEEL SUS201	NI/SN Plated	1PCS
3	MID PLATE	STAINLESS STEEL SUS304	---	1PCS
2	CONTACT	COPPER ALLOY C2680 EH	C2680 EH(SEE TABLE)/ N150U" / SN 80U" Plated	1SET
1	HOUSING	HIGH TEMPERATURE PLASTIC	BLACK	1PCS
NO.	DESCRIPTION	MATERIAL	REMARKS	QTY

MANUFACTURE DWG

东莞市讯普电子科技有限公司  
DongGuan XunPu Electronics Co.,Ltd

UNLESS OTHERWISE SPECIFIED TOLERANCES



TITLE:  
TYPE C母座6P直立式 SMT 带勾

DECIMALS: ANGLES:

.X:±0.30 .X':±3°

.XX:±0.20 .XX':±2°

.XXX:±0.10

PAR TYPEC-251LS-ARP6LXX

DWN

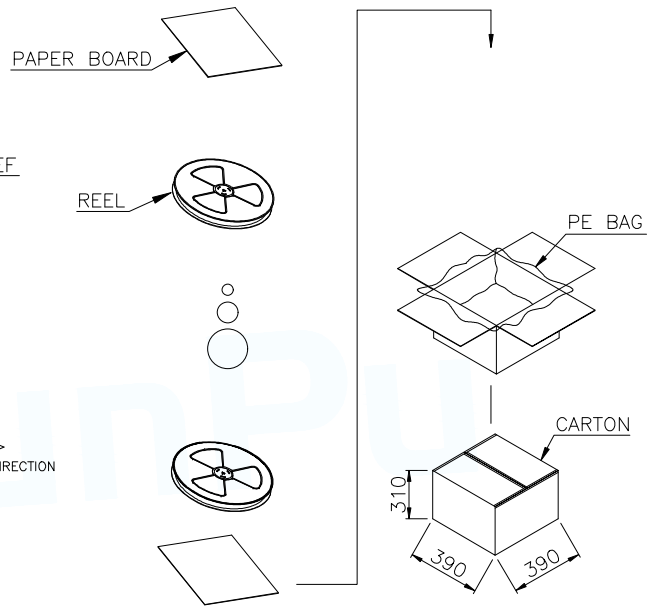
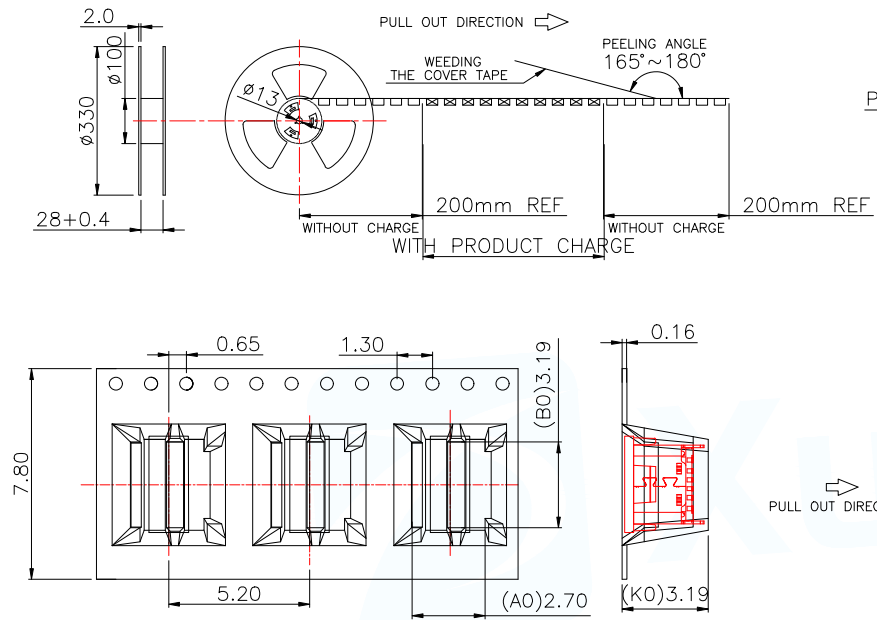
CHKD

APVD

SCALE1:1 UNIT:MM

SIZE:A4 SHEET:1F1 REV:A

CUSTOMER COPY



NOTE:  
1. QUANTITY: 600 PCS/REEL, 6000PCS/CARTON.

- 注意:
1. 材料:  
纸箱: 纤维板, 瓦楞, 双层壁.  
胶带: 聚苯乙烯, 耐热温度: 120℃, 白.  
卷筒: 聚苯乙烯, 耐热温度: 70℃, 蓝色.  
包装: 聚乙烯, 耐热温度: 100℃.
  2. 剥离强度: 0.1~1.3 N(10~130克)
  3. 脱皮速度: 300mm /min.
  4. 每个袋子都应包括干燥剂\*1.
  5. 外箱上贴号物料标签及RHOS标签
  6. 同一产品只能装同一纸箱, 不允其它产品;
  7. 包装后, 产品朝合面朝外; 柱子朝内;

600	10	6000 PCS
PCS/卷	卷/箱	箱

MANUFACTURE DWG			东莞市讯普电子科技有限公司 DongGuan XunPu Electronics Co.,Ltd	
UNLESS OTHERWISE SPECIFIED TOLERANCES			TITLE: TYPE C母座6P直立式 SMT 带勾	
DECIMALS:	ANGLES:	PAR	TYPEC-251LS-ARP6LXX	
.X:±0.30	.X°:±3°	DWN		
.XX:±0.20	.XX°:±2°	CHKD		
.XXX:±0.10		APVD		
CUSTOMER COPY		SCALE 1:1	UNIT:MM	
		SIZE:A4	SHEET:1F1	REV:A

## X-ON Electronics

Largest Supplier of Electrical and Electronic Components

*Click to view similar products for [USB Connectors](#) category:*

*Click to view products by [XUNPU](#) manufacturer:*

Other Similar products are found below :

[950](#) [MUSBD11135](#) [17-200721](#) [217450-1](#) [KMBVX-TH-5S-B30](#) [KUSBX-AS2N-W](#) [KUSBX-SMT2AP1S-W30](#) [935](#) [957](#) [30-498-6](#) [SK-60A-2](#)  
[1734082-1](#) [30-470](#) [30-489](#) [30-541](#) [A-USB A-2P-C](#) [MIKROE-1451](#) [USBFTVSCCG](#) [1-1734084-2](#) [10135326-001LF](#) [4198](#) [USB-A-D-VT](#)  
[USB-A-S-RA-TSMT](#) [1310-1023-02](#) [690-024-633-031](#) [UB-20PMFP-LC7001](#) [17-200011](#) [UB-20AFMM-LL7A01](#) [1040870124](#) [CAP-](#)  
[WCCMLPB1](#) [CAP-WCCMLPC1](#) [2274475-3](#) [UB-20BMFA-SL8001](#) [914-614A2025S10200](#) [USB3FTV7SAGF059](#) [ZX40-B-5S-1500-](#)  
[STDA\(30\)](#) [GSB3116344HR](#) [USB3FTV2SAZNF459](#) [USB3FTV7SAZNF459](#) [U221-041N-1WVS62-F5D](#) [HYCW153-USBD05-500B](#)  
[HYCW219-USBD05-075B](#) [HYCW148-USBD05-117B](#) [HYCW149-USBD05-740B](#) [HYCW204-USBD05-108B](#) [HYCW214-USBA04-113B](#)  
[HYCW213-USBA04-113B](#) [UB-20AMFM-SL7A01](#) [KMMX-BSMT35S-1-B30TR](#) [2345986-1](#)